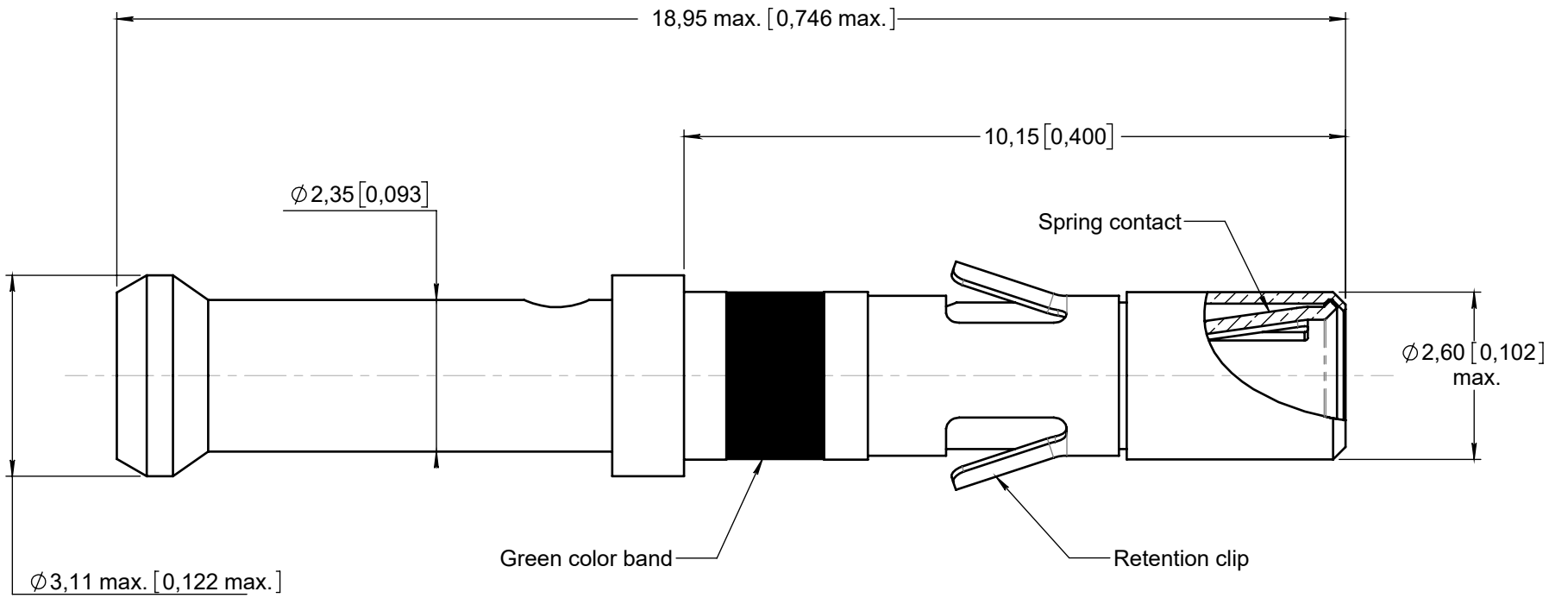


Series
MMC

SIZE 16 CRIMP SOCKET CONTACT
FOR AWG 16, 18 AND 20 CABLES.

Issue:
Feb. 22, 2022

Page
1/1



MATERIALS AND FINISHES:

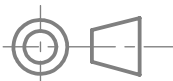
- Contact body : Copper alloy, gold over nickel plated
- Retention clip : Copper alloy, nickel plated
- Spring contact : Copper alloy, gold over nickel plated.

ESTIMATED WEIGHT: 0,45 Gr. [.0176 ounces].

WIRING INSTRUCTIONS:

- Cable stripping length: 7 mm [.276]
- Crimping tool: M22520/1.01 - RADIALL P/N 282 291
- Positioner: 282 975
Position 4 for AWG 20 cable, position 5 for AWG 18 cable, position 6 for AWG 16 cable.
- Extraction tool: 282920

DIMENSIONS : mm (inch are given for information only)



This document contains proprietary information and such information shall not be disclosed to any third party for any purpose whatsoever or used for manufacturing purposes without prior written agreement from RADIALL. This information is given as an indication. In the continual goal to improve our products, we reserve the right to make any modifications judged necessary.

4112_9311

CREATION				
PEN:				
NOM: L.Garcia				
DATE: Dec. 17, 2009				
APPR.: H.Perrin	Feb. 22, 22	TDS updated. 2,60 max was 2,65 max; 3,11 max was 3,15 max.	L.Garcia	H.Perrin
	Issue	Revisions	Name	Approved