

# Product datasheet

Specifications



## Tower Light - RAGB - 24V - LED Based - W. Buzzer - Tube mounting with "L" bracke

XVGB4S

! Discontinued on: 27 August 2020

! Discontinued

### Main

Range of product	Harmony XVG
Product or component type	Complete pre-wired monolithic tower light
Beacon or indicator bank unit type	4 illuminated units
Material	PC (UL94 V-2): globe ABS (UL94HB): tube body Aluminium: tube
Mounting diameter	60 mm
Component name	XVG
Device mounting	Tube with L bracket
Light source	LED steady red LED steady green LED steady amber LED steady blue
Light block color	Red/orange/green/blue
Indicator bank base type	Base with integrated buzzer

### Complementary

Rated supply voltage	24 V AC/DC
Cable cross section	0.33 mm <sup>2</sup>
Discrete output type	PNP and NPN
[Uimp] rated impulse withstand voltage	0.5 kV
Current consumption	207 mA
Noise level	85 dB
Power consumption in W	4.8 W
Fundamental frequency	2.64 kHz
Net weight	0.51 kg

### Environment

Product certifications	CE EAC
------------------------	-----------

Ambient air temperature for storage	-35...70 °C
Ambient air temperature for operation	-10...50 °C
IP degree of protection	IP23

## Packing Units

Unit Type of Package 1	PCE
Number of Units in Package 1	1
Package 1 Height	8.345 cm
Package 1 Width	13.358 cm
Package 1 Length	56.4 cm
Package 1 Weight	696.0 g
Unit Type of Package 2	S04
Number of Units in Package 2	8
Package 2 Height	30 cm
Package 2 Width	40 cm
Package 2 Length	60 cm
Package 2 Weight	6.44 kg
Unit Type of Package 3	P06
Number of Units in Package 3	30
Package 3 Height	73 cm
Package 3 Width	60 cm
Package 3 Length	80 cm
Package 3 Weight	33 kg

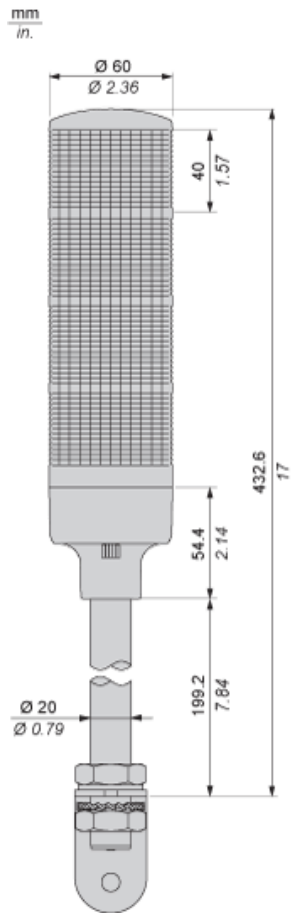
## Offer Sustainability

Sustainable offer status	Green Premium product
REACH Regulation	<a href="#">REACH Declaration</a>
REACH free of SVHC	Yes
EU RoHS Directive	Pro-active compliance (Product out of EU RoHS legal scope) <a href="#">EU RoHS Declaration</a>
Mercury free	Yes
China RoHS Regulation	<a href="#">China RoHS declaration</a>
RoHS exemption information	<a href="#">Yes</a>
Environmental Disclosure	<a href="#">Product Environmental Profile</a>
Circularity Profile	<a href="#">End of Life Information</a>

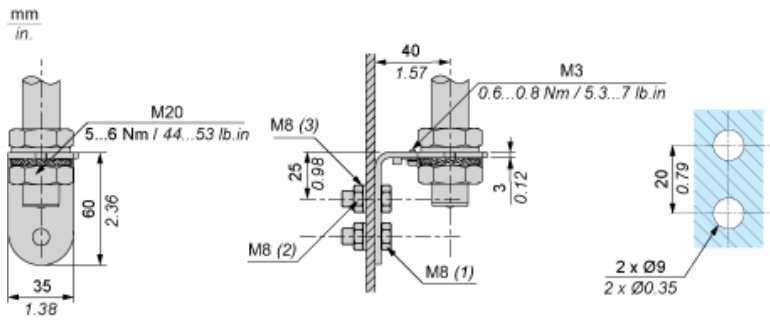
## Contractual warranty

Warranty	18 months
----------	-----------

Dimensions

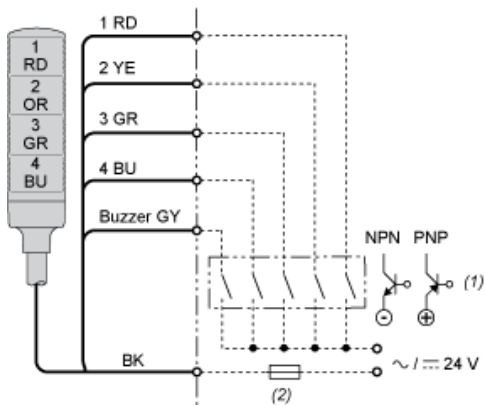


## Mounting



- (1) Thickness +10 mm/0.39 in
- (2) Hexagon Nut
- (3) Washer

Wiring



- (1) "ON" for lighting and/or applying continuous sound.
- (2) Fuse (rated current: 0.5 A)
- RD : Red
- YE : Yellow
- GR : Green
- BU : Blue
- GY : Grey
- OR : Orange
- BK : Black

Recommended replacement(s)