

Product data sheet

Specifications



Light block with body fixing collar, Harmony XB5, plastic, blue, integral LED, 24...120V AC DC

ZB5AVBG6

❗ Discontinued on: 13 January 2023

❗ Discontinued

Important message : All colored LED are replaced with a single Universal LED block for use with new illuminated heads (more information at se.com/harmonyxb4 or se.com/harmonyxb5)

Main

Range of product	Harmony XB5
Product or component type	Complete body/light block assembly
Device short name	ZB5
Fixing collar material	Plastic
Sale per indivisible quantity	1
Connections - terminals	Screw clamp terminals, $\leq 2 \times 1.5 \text{ mm}^2$ with cable end conforming to EN 60947-1 Screw clamp terminals, $> 1 \times 0.22 \text{ mm}^2$ without cable end conforming to EN 60947-1
Light source	Protected LED
Bulb base	Integral LED
Light source colour	Blue

Complementary

CAD overall width	30 mm
CAD overall height	42 mm
CAD overall depth	32 mm
Terminals description ISO n°1	(X1-X2)PL
Net weight	0.022 kg
Tightening torque	0.8...1.2 N.m conforming to EN 60947-1
Shape of screw head	Cross compatible with Philips no 1 screwdriver Cross compatible with pozidriv No 1 screwdriver Slotted compatible with flat $\varnothing 4 \text{ mm}$ screwdriver Slotted compatible with flat $\varnothing 5.5 \text{ mm}$ screwdriver
[Ui] rated insulation voltage	600 V (pollution degree 3) conforming to EN 60947-1
[Uimp] rated impulse withstand voltage	6 kV conforming to EN 60947-1
Signalling type	Steady
[Us] rated supply voltage	24...120 V AC/DC at 50/60 Hz
Supply voltage limits	19.2...132 V DC 21.6...132 V AC
Service life	100000 h at rated voltage and 25 °C

Surge withstand	1 kV conforming to IEC 61000-4-5
------------------------	----------------------------------

Device presentation	Basic sub-assemblies
----------------------------	----------------------

Environment

Protective treatment	TH
-----------------------------	----

Ambient air temperature for storage	-40...70 °C
--	-------------

Ambient air temperature for operation	-40...70 °C
--	-------------

Electrical shock protection class	Class II conforming to IEC 60536
--	----------------------------------

Standards	JIS C8201-5-1 EN/IEC 60947-5-4 CSA C22.2 No 14 EN/IEC 60947-5-1 EN/IEC 60947-1 UL 508 JIS C8201-1
------------------	---

Product certifications	GL BV UL listed LROS (Lloyds register of shipping) DNV CSA
-------------------------------	---

Vibration resistance	5 gn (f= 2...500 Hz) conforming to IEC 60068-2-6
-----------------------------	--

Shock resistance	30 gn (duration = 18 ms) for half sine wave acceleration conforming to IEC 60068-2-27 50 gn (duration = 11 ms) for half sine wave acceleration conforming to IEC 60068-2-27
-------------------------	--

Resistance to fast transients	2 kV conforming to IEC 61000-4-4
--------------------------------------	----------------------------------

Resistance to electromagnetic fields	10 V/m conforming to IEC 61000-4-3
---	------------------------------------

Resistance to electrostatic discharge	6 kV on contact (on metal parts) conforming to IEC 61000-2-6 8 kV in free air (in insulating parts) conforming to IEC 61000-2-6
--	--

Electromagnetic emission	Class B conforming to IEC 55011
---------------------------------	---------------------------------

Packing Units

Unit Type of Package 1	PCE
-------------------------------	-----

Number of Units in Package 1	1
-------------------------------------	---

Package 1 Height	5.4 cm
-------------------------	--------

Package 1 Width	3.4 cm
------------------------	--------

Package 1 Length	5.4 cm
-------------------------	--------

Package 1 Weight	20 g
-------------------------	------

Unit Type of Package 2	BB1
-------------------------------	-----

Number of Units in Package 2	5
-------------------------------------	---

Package 2 Height	5.4 cm
-------------------------	--------

Package 2 Width	3.4 cm
------------------------	--------

Package 2 Length	26.5 cm
-------------------------	---------

Package 2 Weight	110 g
-------------------------	-------

Unit Type of Package 3	S02
-------------------------------	-----

Number of Units in Package 3	100
-------------------------------------	-----

Package 3 Height	15 cm
-------------------------	-------

Package 3 Width	30 cm
------------------------	-------

Package 3 Length	40 cm
-------------------------	-------

Package 3 Weight	2.558 kg
------------------	----------

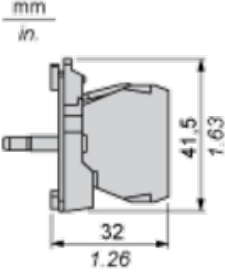
Offer Sustainability

Sustainable offer status	Green Premium product
REACH Regulation	REACH Declaration
REACH free of SVHC	Yes
EU RoHS Directive	Pro-active compliance (Product out of EU RoHS legal scope) EU RoHS Declaration
Mercury free	Yes
China RoHS Regulation	China RoHS declaration
RoHS exemption information	Yes
Environmental Disclosure	Product Environmental Profile
Circularity Profile	End of Life Information
WEEE	The product must be disposed on European Union markets following specific waste collection and never end up in rubbish bins
California proposition 65	WARNING: This product can expose you to chemicals including: Lead and lead compounds, which is known to the State of California to cause cancer and birth defects or other reproductive harm. For more information go to www.P65Warnings.ca.gov

Contractual warranty

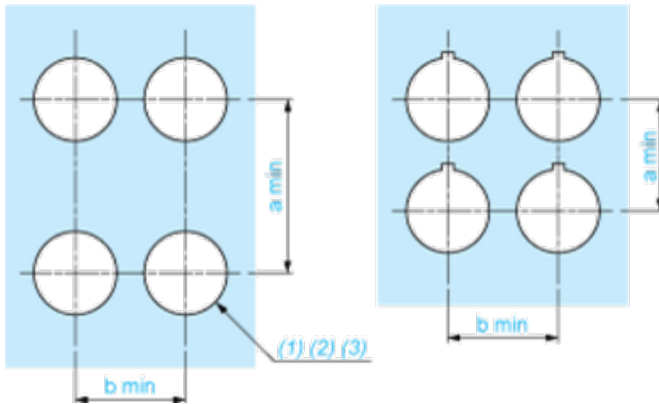
Warranty	18 months
----------	-----------

Dimensions



Panel Cut-out for Pushbuttons, Switches and Pilot Lights (Finished Holes, Ready for Installation)

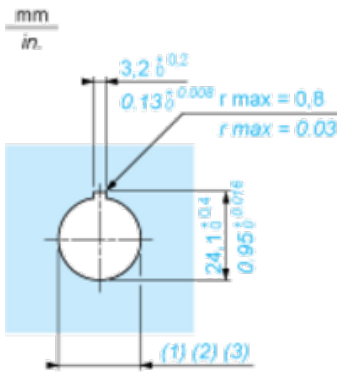
Connection by Screw Clamp Terminals or Plug-in Connectors or on Printed Circuit Board



- (1) Diameter on finished panel or support
- (2) For selector switches and Emergency stop buttons, use of an anti-rotation plate type ZB5AZ902 is recommended.
- (3) $\varnothing 22.5$ mm recommended ($\varnothing 22.3 \text{ }_0^{+0.4}$) / $\varnothing 0.89$ in. recommended ($\varnothing 0.88 \text{ in. }_0^{+0.016}$)

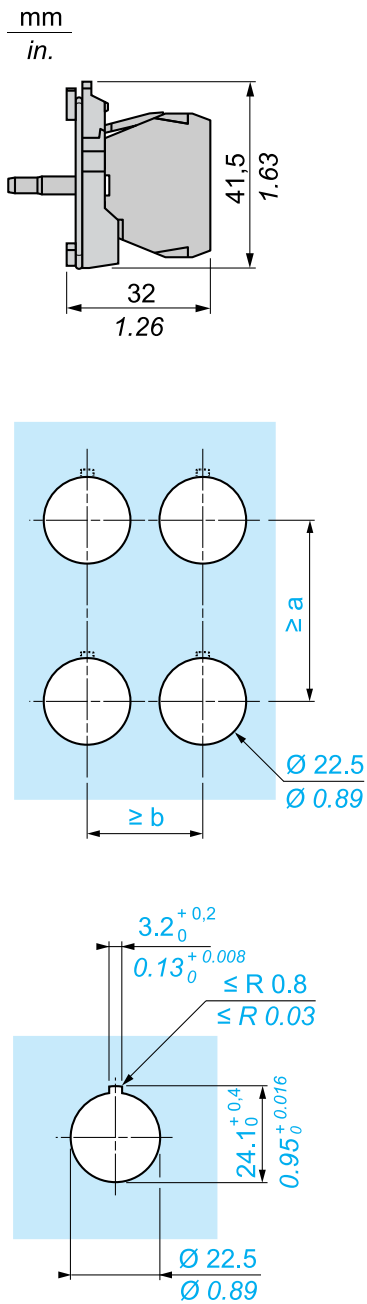
Connections	a in mm	a in in.	b in mm	b in in.
By screw clamp terminals or plug-in connector	40	1.57	30	1.18
By Faston connectors	45	1.77	32	1.26
On printed circuit board	30	1.18	30	1.18

Detail of Lug Recess



- (1) Diameter on finished panel or support
- (2) For selector switches and Emergency stop buttons, use of an anti-rotation plate type ZB5AZ902 is recommended.
- (3) $\varnothing 22.5$ mm recommended ($\varnothing 22.3 \text{ }_0^{+0.4}$) / $\varnothing 0.89$ in. recommended ($\varnothing 0.88 \text{ in. }_0^{+0.016}$)

Dimensions



		a (mm)	a (in.)	b (mm)	b (in.)
	ZBE●●●● ZBV●●●●	40	1.57	30	1.18
	ZBE●●●●4 ZBV●●●●4	40	1.57	30	1.18
	ZBE●●●●3 ZBV●●●●3	45	1.77	32	1.26
	ZBE70●●● ZBV●●●7	30	1.18	30	1.18
	ZBE●●●●●9 ZBV●●●●●9	40	1.57	30	1.18
	ZBE●●●●●5 ZBV●●●●●5	50	1.97	30	1.18
	ZBRT● ZBRV1	40	1.57	30	1.18

Recommended replacement(s)

ZB5AVBG6 is replaced by:

1x



Complete body/light block assembly, Harmony XB5, plastic, universal LED, body/
fixing collar, 24...120V AC DC
ZB5AVBG1