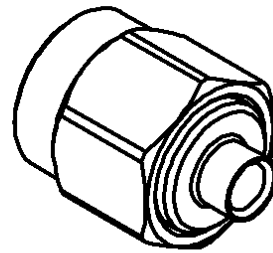
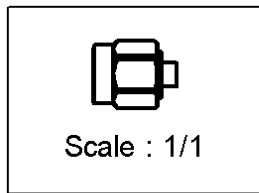
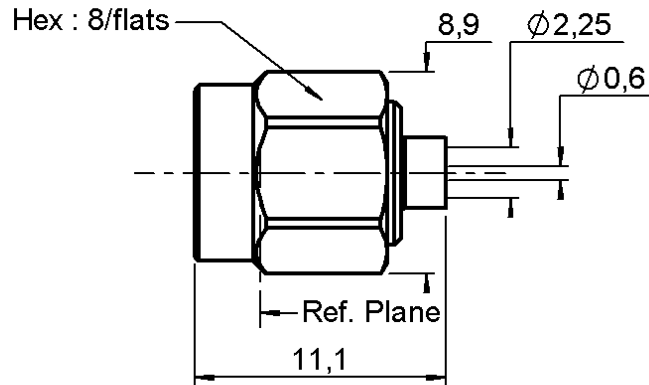


STRAIGHT PLUG SOLDER TYPE

R125.052.002

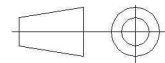
CABLE .085

Series : SMA



CECC 22111-802-04

All dimensions are in mm.



| COMPONENTS | MATERIALS | PLATINGS (µm) |
|----------------|-----------------|------------------------|
| BODY | INOX | GOLD 0.5 OVER NICKEL 2 |
| CENTER CONTACT | BRASS | GOLD 1.3 OVER NICKEL2 |
| OUTER CONTACT | - | - |
| INSULATOR | PTFE | |
| GASKET | SILICONE RUBBER | |
| OTHERS PARTS | INOX | PASSIVATED |
| - | - | - |
| - | - | - |

Issue : 1045 C

In the effort to improve our products, we reserve the right to make changes judged to be necessary.



STRAIGHT PLUG SOLDER TYPE

R125.052.002

CABLE .085

Series : SMA

PACKAGING

| | | |
|------------|-------------------|-------------------|
| Standard | Unit | Other |
| 100 | 'W' option | Contact us |

SPECIFICATION

CABLE ASSEMBLY

ELECTRICAL CHARACTERISTICS

| Stripping | a | b | c | d | e | f |
|-----------|------|------|------|------|------|------|
| mm | 3,17 | 0,00 | 0,00 | 0,00 | 0,00 | 0,00 |

| | | |
|---------------------------------|---------------|-----------------------------|
| Impedance | | 50 Ω |
| Frequency | | 0-18 GHz |
| VSWR | 1.07 + | 0,0080 x F(GHz) Maxi |
| Insertion loss | | 0.03 √F(GHz) dB Maxi |
| RF leakage | - (| 90 - F(GHz)) dB Maxi |
| Voltage rating | | 335 Veff Maxi |
| Dielectric withstanding voltage | | 750 Veff mini |
| Insulation resistance | | 5000 MΩ mini |

Assembly instruction : **Solder 01**

Recommended cable(s)
RG 405
KS 1

Characteristics indicated on this data sheet are those that can be achieved with the highest performance cable. Intrinsic limitations of the cable may diminish the performance of the assembly

Cable retention

- pull off **130** N mini
- torque **NA** N.cm

MECHANICAL CHARACTERISTICS

TOOLING

| | | |
|----------------------------|-----------|-----------|
| Center contact retention | | |
| Axial force – Mating end | NA | N mini |
| Axial force – Opposite end | NA | N mini |
| Torque | NA | N.cm mini |

| Part Number | Description | Hexagon |
|--------------|---------------------------------------|---------|
| R282.120.010 | SMA TOOLBOX | |
| R282.051.000 | STRIPPING TOOL | |
| R282.063.000 | POINTER GAUGE | |
| R282.730.040 | INSULATOR MOUNTING TOOL | |
| R282.740.000 | SOLDERING MOUNTING | |
| R282.744.060 | SOLDERING POSITIONER (BODY) | |
| R282.744.220 | SOLDERING POSITIONER (CENTER CONTACT) | |
| R282.862.060 | CONTROL GAUGE | |
| R282.914.000 | CONTROLE GAUGE | |
| R282.915.010 | DIELECTRIC RECESS TOOL | |

| | | |
|--------------------|---------------|------|
| Recommended torque | | |
| Mating | 100 | N.cm |
| Panel nut | NA | N.cm |
| Clamp nut | NA | N.cm |
| A/F clamp nut | 0,0000 | mm |

| | | |
|-------------|---------------|-------------|
| Mating life | 500 | Cycles mini |
| Weight | 2,3000 | g |

ENVIRONMENTAL

| | | |
|-----------------------|-----------------|-----------|
| Operating temperature | -65/+165 | ° C |
| Hermetic seal | NA | Atm.cm3/s |
| Panel leakage | NA | |

OTHERS CHARACTERISTICS

Issue : 1045 C

In the effort to improve our products, we reserve the right to make changes judged to be necessary.

