

HC-STA-B16-HLFD-1TTM25-EL-AL - Housing



1412721

<https://www.phoenixcontact.com/in/products/1412721>

Please be informed that the data shown in this PDF document is generated from our Online Catalog. Please find the complete data in the user documentation. Our General Terms of Use for Downloads are valid.



Sleeve housing B16, for double locking latch, material: Die-cast aluminum, salt water resistant, cable outlets: 1, straight, 1x M25, height: 60 mm, cable gland: none, Standard

Your advantages

- Good shielding in the event of electromagnetic interference

Commercial Data

Item number	1412721
Packing unit	1 pc
Minimum order quantity	1 pc
Sales Key	BF7
Product Key	BF7APB
Catalog Page	Page 624 (C-2-2019)
GTIN	4055626059952
Weight per Piece (including packing)	198 g
Weight per Piece (excluding packing)	198 g
Customs tariff number	85389099
Country of origin	PL

HC-STA-B16-HLFD-1TTM25-EL-AL - Housing



1412721

<https://www.phoenixcontact.com/in/products/1412721>

Technical Data

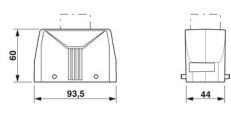
Notes

General	For contact inserts HC-B16, BB32, D40, DD72, HS6, HV6, M, K
---------	-------------------------------------------------------------

Product properties

Type	B16
Product type	Housing with locking latch
Application	Standard
No. of cable outlets	1
Type of the screw connection	1x M25
Housing type	Sleeve housing
Locking type	for double locking latch
Cable outlet	straight
Pg screw connection	none

Dimensions

Dimensional drawing	
Width	44 mm
Height	60 mm
Length	93.5 mm

Material specifications

Color	gray aluminum
Housing surface material	uncoated
Impact strength	IK09
Housing material	Die-cast aluminum, salt water resistant

Mechanical properties

Mechanical data

Type of the screw connection	1x M25
Locking type	Pin

Environmental and real-life conditions

Ambient conditions

Degree of protection	IP66
	IP67
	4 (UL 50e)
	4X (UL 50e)

HC-STA-B16-HLFD-1TTM25-EL-AL - Housing



1412721

<https://www.phoenixcontact.com/in/products/1412721>

	12 (UL 50e)
Impact strength	IK09
Ambient temperature (operation)	-40 °C ... 125 °C

HC-STA-B16-HLFD-1TTM25-EL-AL - Housing

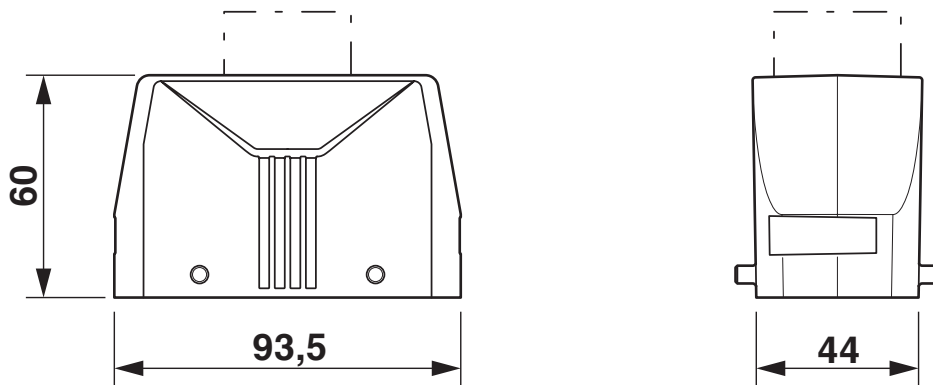
1412721

<https://www.phoenixcontact.com/in/products/1412721>



Drawings

Dimensional drawing



Dimensional drawing

HC-STA-B16-HLFD-1TTM25-EL-AL - Housing



1412721

<https://www.phoenixcontact.com/in/products/1412721>

Approvals



cUL Recognized
Approval ID: E255026



UL Recognized
Approval ID: E255026



EAC
Approval ID: RU C-DE.AI30.B.01102



EAC
Approval ID: RU C-DE.BL08.B.00511

1412721

<https://www.phoenixcontact.com/in/products/1412721>

Classifications

ECLASS

ECLASS-11.0	27440202
ECLASS-12.0	27440202
ECLASS-13.0	27440202

ETIM

ETIM 8.0	EC000437
----------	----------

UNSPSC

UNSPSC 21.0	31261500
-------------	----------

HC-STA-B16-HLFD-1TTM25-EL-AL - Housing



1412721

<https://www.phoenixcontact.com/in/products/1412721>

Environmental Product Compliance

China RoHS	Environmentally friendly use period: unlimited = EFUP-e
	No hazardous substances above threshold values

1412721

<https://www.phoenixcontact.com/in/products/1412721>

Accessories

G-INS-M25-M68N-NNES-S - Cable gland

1411165

<https://www.phoenixcontact.com/in/products/1411165>



Cable gland, material for screw connection: Nickel-plated brass, external cable diameter 11 mm ... 17 mm, shielding: no, connecting thread: M25 x 1.5, color: silver, with O-ring

G-INSEC-M25-S68N-NCRS-S - Cable gland

1411190

<https://www.phoenixcontact.com/in/products/1411190>



Cable gland, material for screw connection: Nickel-plated brass, external cable diameter 11 mm ... 16 mm, shielding: yes, connecting thread: M25 x 1.5, color: silver, with O-ring

HC-STA-B16-HLFD-1TTM25-EL-AL - Housing

1412721

<https://www.phoenixcontact.com/in/products/1412721>

US-EMLP (20X9) CUS - Plastic label

0830085

<https://www.phoenixcontact.com/in/products/0830085>

Plastic label, can be ordered: by card, white, labeled according to customer specifications, mounting type: adhesive, lettering field size: 20 x 9 mm, Number of individual labels: 75



HC-B16-HCWD-PLR-BK - Protective cover

1346544

<https://www.phoenixcontact.com/in/products/1346544>

Protective cover B16, with double locking latch, protective cover material: PC, height: 26.4 mm, seal: yes



HC-STA-B16-HLFD-1TTM25-EL-AL - Housing



1412721

<https://www.phoenixcontact.com/in/products/1412721>

US-EMLP-HA (20X9) - Plastic label

0830989

<https://www.phoenixcontact.com/in/products/0830989>

Plastic label, Card, white, unlabeled, can be labeled with: BLUEMARK ID COLOR, BLUEMARK ID, THERMOMARK PRIME, THERMOMARK CARD 2.0, THERMOMARK CARD, mounting type: adhesive, lettering field size: 20 x 9 mm, Number of individual labels: 70



WP-G HF IP66 M25 BK - Screw connection

3240899

<https://www.phoenixcontact.com/in/products/3240899>

Cable gland, metric thread, IP66 protection, straight



HC-STA-B16-HLFD-1TTM25-EL-AL - Housing

1412721

<https://www.phoenixcontact.com/in/products/1412721>

WP-G HF IP69K M25 BK - Screw connection

3240885

<https://www.phoenixcontact.com/in/products/3240885>



Cable gland, metric thread, IP68/69k protection, straight

WP-GA HF IP66 M25 BK - Screw connection

3240927

<https://www.phoenixcontact.com/in/products/3240927>



Cable gland, metric thread, IP66 protection, angled

HC-STA-B16-HLFD-1TTM25-EL-AL - Housing

1412721

<https://www.phoenixcontact.com/in/products/1412721>



WP-GA HF IP69K M25 BK - Screw connection

3240913

<https://www.phoenixcontact.com/in/products/3240913>

Cable gland, metric thread, IP68/69k protection, angled



WP-GR HF IP66 M25 BK - Screw connection

3240955

<https://www.phoenixcontact.com/in/products/3240955>

Cable gland, metric thread, IP66 protection, with strain relief



HC-STA-B16-HLFD-1TTM25-EL-AL - Housing

1412721

<https://www.phoenixcontact.com/in/products/1412721>

WP-GR HF IP69K M25 BK - Screw connection

3240941

<https://www.phoenixcontact.com/in/products/3240941>



Cable gland, metric thread, IP68/69k protection, with strain relief

WP-G PP HF M25 - Screw connection

3240999

<https://www.phoenixcontact.com/in/products/3240999>



Cable gland made from PP with metric thread, IP65 protection

HC-STA-B16-HLFD-1TTM25-EL-AL - Housing

1412721

<https://www.phoenixcontact.com/in/products/1412721>

WP-GT PP HF M25 - Screw connection

3241013

<https://www.phoenixcontact.com/in/products/3241013>



Cable gland made from PP with metric thread, rotatable, IP54 protection

WP-G BRASS IP40 M25 - Screw connection

3241048

<https://www.phoenixcontact.com/in/products/3241048>



Cable gland made from brass with metric thread, IP40 protection

HC-STA-B16-HLFD-1TTM25-EL-AL - Housing

1412721

<https://www.phoenixcontact.com/in/products/1412721>

WP-GT BRASS M25 - Screw connection

3241034

<https://www.phoenixcontact.com/in/products/3241034>

Cable gland made from brass with metric thread, rotatable, IP40 protection



WP-G BRASS IP65 M25 - Screw connection

3241062

<https://www.phoenixcontact.com/in/products/3241062>

Cable gland made from brass with metric thread, IP65 protection



Phoenix Contact 2023 © - all rights reserved
<https://www.phoenixcontact.com>

PHOENIX CONTACT (I) Pvt. Ltd.
A-58/2, Okhla Industrial Area, Phase - II, New Delhi-110 020

+91.1275.71420
info@phoenixcontact.co.in