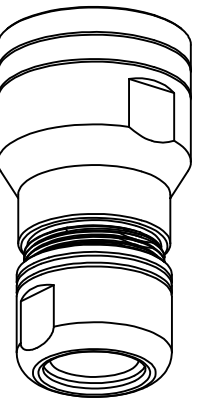
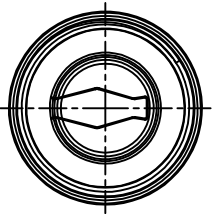
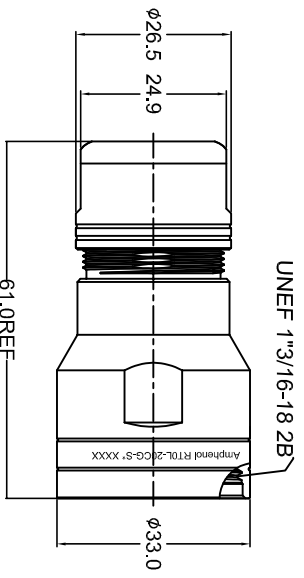


REVISIONS				
REV	ECO	DESCRIPTION	DATE	BY APPR
B1	-	RELEASED DRAWING	NOV/30/2017	FLAN TOMMY



P/N	CABLE O.D.
RTOL-20CG-S6-*	Ø15.0-Ø17.0mm

- NOTES : (UNLESS OTHERWISE SPECIFIED)
- MATERIAL :
 - NUT : ZINC ALLOY.
 - BACK SHELL : ZINC ALLOY.
 - O-RING: SILICONE RUBBER.
 - CABLE SEAL : EPDM.
 - EMI SHIELDING RING : STAINLESS STEEL.
 - CLAMP INSERT : THERMOPLASTIC UL94 V-0.
 - RoHS COMPLIANT.
 - ALL DIMENSIONS ARE FOR REFERENCE USE ONLY.
 - SHELL FINISHED:

P/N	** * *	SHELL FINISHED
	OMIT	PLATED NICKLE
	Z	BLACK ZINC
RTOL-20CG-S-*	G	GREEN ZINC

QUANTITY	PART NUMBER	DESCRIPTION	ITEM

MATERIALS LIST	
SIGNATURES	DATE
DRAWN: Hm	NOV/1/2017
CHECKED: Jod	NOV/1/2017
ENGINEER:	
APPROVAL: Tommy	NOV/1/2017
CUSTOMER:	

UNLESS OTHERWISE SPECIFIED	UNIT DRAWINGS SUPERSEDES
1) ALL DIMENSIONS ARE IN MILLIMETERS.	INFORMATION SHEETS, SPECIFICATIONS AND PERFORMANCE DATA
2) Tolerances are as follows:	THE AMPHENOL CORPORATION ASSUMES NO RESPONSIBILITY FOR REPRODUCTION ERRORS OR MANUFACTURING VARIATIONS.
1 PL. DEC 20/09 Fractions 1/16"	
3 PL. DEC 20/08 Angles 1°	
3) Note reference =	

PROCESS SPECIFICATIONS:	SIZE	TYPE	DWG NO.	REVISION
	B	C-	RTOL-20CG-S-*	B1
TEXT ASSY:	SCALE: NONE			SHEET 1 OF 1

Amphenol
 Sine Systems - www.amphenol-sine.com
 44724 Morley Drive
 Clinton Township, MI 48036

ECO-MATE CORD GRIP,
 SIZE 20.