

AI 6 -12 YE - Ferrule

3200548

<https://www.phoenixcontact.com/in/products/3200548>



Please be informed that the data shown in this PDF document is generated from our Online Catalog. Please find the complete data in the user documentation. Our General Terms of Use for Downloads are valid.

Ferrule, sleeve length: 12 mm, length: 20 mm, color: yellow



Your advantages

- The ferrules with plastic sleeve are made from soft tin-plated electrolytic copper
- The insulation reliability of close connections is increased and the splicing of wires is prevented

Commercial Data

Item number	3200548
Packing unit	100 pc
Minimum order quantity	100 pc
Sales Key	BH3
Product Key	BH3411
Catalog Page	Page 481 (C-3-2019)
GTIN	4017918094157
Weight per Piece (including packing)	0.412 g
Weight per Piece (excluding packing)	0.396 g
Customs tariff number	85369010
Country of origin	DE

AI 6 -12 YE - Ferrule

3200548

<https://www.phoenixcontact.com/in/products/3200548>



Technical Data

Product properties

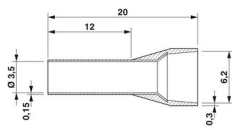
Product type	Cable end sleeve
Set comprises	1202072 CRIMPSET 6

Connection data

Conductor connection

Conductor cross section flexible max.	6 mm ²
Conductor cross section AWG max.	10
Stripping length	15 mm

Dimensions

Dimensional drawing	
Length	20 mm
Sleeve length	12 mm
Maximum stripping length	15 mm
Ferrule diameter	3.5 mm
Sleeve wall thickness	0.2 mm
Insulating collar thickness	0.3 mm
Inner dimensions of the insulating collar	6.2 mm

Material specifications

Color	yellow
Material	CU-DHP
Flammability rating according to UL 94	HB
Coating	tin-plated (galvanic)
Components	free from silicone and halogen

Mechanical properties

Technical data

Sleeve length	12 mm
---------------	-------

Environmental and real-life conditions

Ambient conditions

Permanent temperature	105 °C (-40 °C no load / 0 °C dynamic load)
Short-term temperature	120 °C

AI 6 -12 YE - Ferrule

3200548

<https://www.phoenixcontact.com/in/products/3200548>



Standards and regulations

Design according to standard

DIN 46228-4, UL 486F-E

AI 6 -12 YE - Ferrule

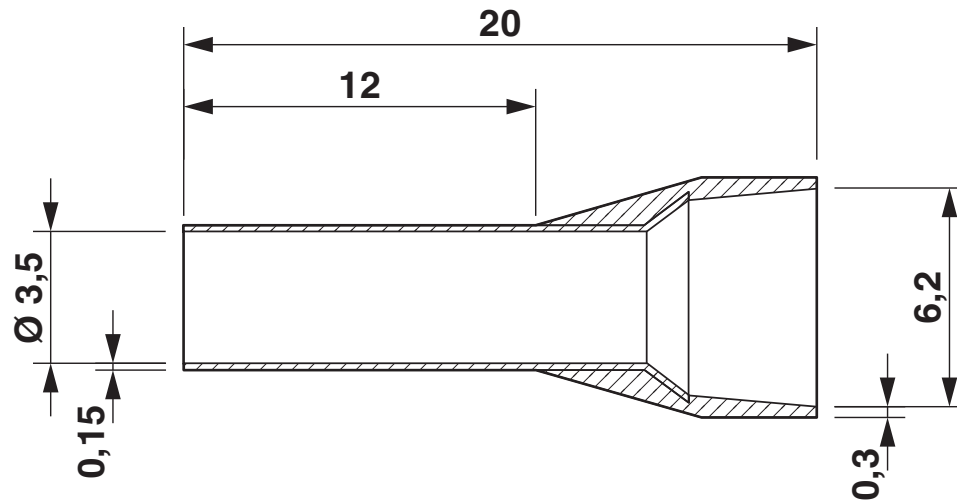
3200548

<https://www.phoenixcontact.com/in/products/3200548>



Drawings

Dimensional drawing



AI 6 -12 YE - Ferrule

3200548

<https://www.phoenixcontact.com/in/products/3200548>



Approvals



UL Listed

Approval ID: E488001



cUL Listed

Approval ID: E488001

AI 6 -12 YE - Ferrule

3200548

<https://www.phoenixcontact.com/in/products/3200548>



Classifications

ECLASS

ECLASS-11.0

27400201

ETIM

ETIM 8.0

EC000005

UNSPSC

UNSPSC 21.0

27121700

AI 6 -12 YE - Ferrule

3200548

<https://www.phoenixcontact.com/in/products/3200548>



Environmental Product Compliance

China RoHS	Environmentally friendly use period: unlimited = EFUP-e
	No hazardous substances above threshold values

Phoenix Contact 2023 © - all rights reserved
<https://www.phoenixcontact.com>

PHOENIX CONTACT (I) Pvt. Ltd.
A-58/2, Okhla Industrial Area, Phase - II, New Delhi-110 020

+91.1275.71420
info@phoenixcontact.co.in