

B

A

Configuration of Documents

| P/N | Documents | No. | Title | CAT.No. |
|--------------------------|---------------------------------|--|--|-----------------|
| SFW_S-2ST(M)E9LF | Specification Connector dwg. | SC-SFWS03 | CAT.NO.TABLE FOR 1mm SPACING SMT CONNECTOR | SFW__S-2ST__LF |
| | | JSA96516 | 1mm SPACING SURFACE MOUNT FPC/FFC CONNECTOR | SFW__S-2ST__LF |
| | Cable dwg. Manual | JSA96517 | 1mm SPACING SURFACE MOUNT FPC/FFC CONNECTOR | SFW__S-2STM__LF |
| | | JSA96518 | 1mm SPACING SURFACE MOUNT FPC/FFC CONNECTOR | SFW__S-2ST_E9LF |
| | | JSA97526 | CAT. NO. TABLE FOR PLASTIC TAPE PACKAGED 1mm SPACING SMT CONN. | SFW__S-2ST_E9LF |
| | | JSA97527 | PLASTIC TAPE PACKAGED 1mm SPACING SMT CONNECTOR | SFW__S-2ST_E9LF |
| | | JSA93340 | RECOMMENDED CABLE | SFW__S-2ST__LF |
| | | JSA93341 | RECOMMENDED CABLE | SFW__S-2ST__LF |
| | | BJM-SFWS101 | | |
| | | SFW_S-6ST(M)E9LF | Specification Connector dwg. | SC-SFWS04 |
| Cable dwg. Manual | JSA96521 | 1mm SPACING SURFACE MOUNT CIC CONNECTOR | SFW__S-6ST__LF | |
| | JSA96522 | 1mm SPACING SURFACE MOUNT CIC CONNECTOR | SFW__S-6STM__LF | |
| | JSA97528 | CAT. NO. TABLE FOR PLASTIC TAPE PACKAGED 1mm SPACING SMT CONN. | SFW__S-6ST_E9LF | |
| | JSA97529 | PLASTIC TAPE PACKAGED 1mm SPACING SMT CONNECTOR | SFW__S-6ST_E9LF | |
| | JSA93904 | RECOMMENDED CABLE | SFW__S-6ST__LF | |
| | BJM-SFWS102 | | | |

| | | | | | | | |
|-------------|----------|---------------------------------------|-----------|------------|--|--------------------------|------|
| mat'l. code | | surface 58 | tolerance | projection | product family | 58SF | CODE |
| lth | ecn no | ISO 1302 | ISO 406 | | SFW_S Documents Configuration (1mm Spacing connector) | sheet 1 of 1 | JP |
| A | J09-0202 | tolerances unless otherwise specified | ISO 101 | mm | | | |
| dr | dr | angles | linear | scale | type | Product Customer Drawing | Rev. |
| | | | | X | | | A |
| engr | chr | dr | engr | | dwg no | JSA97525 | A4 |
| | | appd | | | sheet | | |
| index | revision | date | | | size | | |
| | A | 2009-5-25 | | | | | |

form: A4

1

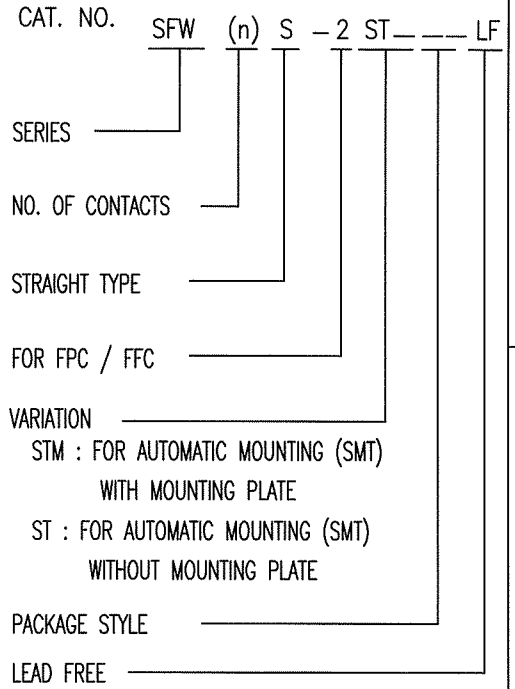
2

1

2

CAT. NO. & DIMENSIONS

| NOTE3 | NO. OF CONTACTS (n) | CAT. NO. | DIMENSIONS (NOTE2) | | |
|-------|---------------------|----------------|--------------------|--------|--------|
| | | | A ±0.2 | B ±0.2 | C ±0.2 |
| | 4 | SFW4S-2ST__LF | 10.4 | 5.24 | 3 |
| | 5 | SFW5S-2ST__LF | 11.4 | 6.24 | 4 |
| | 6 | SFW6S-2ST__LF | 12.4 | 7.24 | 5 |
| * | 7 | SFW7S-2ST__LF | 13.4 | 8.24 | 6 |
| | 8 | SFW8S-2ST__LF | 14.4 | 9.24 | 7 |
| * | 9 | SFW9S-2ST__LF | 15.4 | 10.24 | 8 |
| | 10 | SFW10S-2ST__LF | 16.4 | 11.24 | 9 |
| | 11 | SFW11S-2ST__LF | 17.4 | 12.24 | 10 |
| * | 12 | SFW12S-2ST__LF | 18.4 | 13.24 | 11 |
| | 13 | SFW13S-2ST__LF | 19.4 | 14.24 | 12 |
| | 14 | SFW14S-2ST__LF | 20.4 | 15.24 | 13 |
| | 15 | SFW15S-2ST__LF | 21.4 | 16.24 | 14 |
| | 16 | SFW16S-2ST__LF | 22.4 | 17.24 | 15 |
| | 17 | SFW17S-2ST__LF | 23.4 | 18.24 | 16 |
| * | 18 | SFW18S-2ST__LF | 24.4 | 19.24 | 17 |
| * | 19 | SFW19S-2ST__LF | 25.4 | 20.24 | 18 |
| | 20 | SFW20S-2ST__LF | 26.4 | 21.24 | 19 |
| * | 21 | SFW21S-2ST__LF | 27.4 | 22.24 | 20 |
| | 22 | SFW22S-2ST__LF | 28.4 | 23.24 | 21 |
| | 23 | SFW23S-2ST__LF | 29.4 | 24.24 | 22 |
| | 24 | SFW24S-2ST__LF | 30.4 | 25.24 | 23 |
| * | 25 | SFW25S-2ST__LF | 31.4 | 26.24 | 24 |
| | 26 | SFW26S-2ST__LF | 32.4 | 27.24 | 25 |
| * | 27 | SFW27S-2ST__LF | 33.4 | 28.24 | 26 |
| | 28 | SFW28S-2ST__LF | 34.4 | 29.24 | 27 |
| | 29 | SFW29S-2ST__LF | 35.4 | 30.24 | 28 |
| | 30 | SFW30S-2ST__LF | 36.4 | 31.24 | 29 |
| * | 31 | SFW31S-2ST__LF | 37.4 | 32.24 | 30 |
| * | 32 | SFW32S-2ST__LF | 38.4 | 33.24 | 31 |



NOTES

1. THIS PRODUCT IS THE CONNECTOR, DESIGNED TO TERMINATE FPC/FFC AND COPES WITH AUTOMATIC MOUNTING (SMT).
2. SEE PART DRAWINGS FOR DIMENSIONS A.B.C.
3. PLEASE CONSULT US IN CASE OF USING PARTS WITH * MARK

| | | | | | | | | | |
|-------------|--|--|--|------------|--|---------------------|--|--|--|
| mat'l. code | | surface 58 / tolerance ISO 1302 / ISO 406 / ISO 1101 | | projection | | product family 58SF | | CODE JP | |
| ltr | | ecn no | | dr | | date | | title | |
| A | | J05-0377 | | H.T | | 2005-6-22 | | CAT. NO. TABLE FOR 1mm SPACING SMT CONNECTOR (CAT.No.SFW__S-2ST__LF) | |
| B | | J05-0547 | | H.T | | 2005-8-30 | | | |
| C | | J06-0430 | | H.T | | 2006-10-19 | | | |
| D | | J07-0407 | | H.T | | 2007-8-9 | | dwg no sheet 1 of 1 size | |
| | | | | engr | | 2007-8-9 | | JSA 96516 A4 | |
| | | | | chr | | 2007-8-19 | | | |
| | | | | appd | | 2007-8-16 | | type Product Customer Drawing | |
| sheet index | | revision D | | sheet 1 | | | | Rev. D | |



| PT. NO. | PARTS NAME | MATERIAL | Q'TY | NOTE |
|---------|------------|---|------|--|
| 1 | HOUSING | GLASS FILLED THERMOPLASTIC RATED. (UL94V-0) | 1 | COLOR : BROWN |
| 2 | SLIDER | (UL94V-0) | 1 | COLOR : BLACK |
| 3 | CONTACT | PHOSPHOR BRONZE | n | PLATING : TIN Ni UNDER PLATED(LEAD FREE) |

n : NO. OF CONTACTS

NOTES

1. THIS PRODUCT IS THE CONNECTOR DESIGNED TO TERMINATE FPC/FFC AND COPEs WITH AUTOMATIC MOUNTING (SMT).
2. FLATNESS OF CONTACT TERMINAL MUST BE WITHIN TOLERANCE IN Z PORTION DETAILED DRAWING.
3. THIS DIMENSION IS SPACE FOR THE NOZZLE OF MOUNTER.
4. THIS PRODUCT MEETS EUROPEAN UNION DIRECTIVES AND OTHER COUNTRY REGULATIONS AS DESCRIBED IN GS-22-008
5. THE HOUSING WILL WITHSTAND EXPOSURE TO 260°C PEAK TEMPERATURE FOR 10 SECONDS IN A REFLOW SOLDERING OVEN.

RECOMMENDED PC BOARD LAYOUT (COMPONENT SIDE)



| | | | | | | | | | | | | | |
|-------------------------|--|----------------|--|---------------------------------------|--|----------------------------------|--|------------------|--|--|--|-------------------|--|
| mat'l. code | | | | surface 58 ISO 1302 ✓ | | tolerance ISO 406 ISO 1101 | | projection mm | | product family 58SF | | CODE JP | |
| ltr ecn no dr date | | | | tolerances unless otherwise specified | | ±0.2 | | mm | | title 1mm SPACING SURFACE MOUNT FPC/FFC CONNECTOR (CAT.No.SFW__S-2ST__LF) | | | |
| A J05-0377 H.T 6/22/05 | | | | angles | | linear | | scale X | | dwg no | | sheet 1 of 1 size | |
| B J05-0731 H.T 10/28/05 | | | | | | | | FCI | | JSA 96517 | | A4 | |
| C J06-0430 H.T 10/19/06 | | | | dr | | 10/19/06 | | | | type Product Customer Drawing | | | |
| | | | | enrg | | 10/19/06 | | | | | | | |
| | | | | chr | | 10/19/06 | | | | | | | |
| | | | | appd | | 10/19/06 | | | | | | | |
| sheet index | | revision sheet | | C 1 | | | | | | | | Rev c | |

SC-SFWS 03 JSA96516 form: A4



| PT. NO. | PARTS NAME | MATERIAL | Q'TY | NOTE |
|---------|----------------|---|------|--|
| 1 | HOUSING | GLASS FILLED THERMOPLASTIC RATED. (UL94V-0) | 1 | COLOR : BROWN |
| 2 | SLIDER | | 1 | COLOR : BLACK |
| 3 | CONTACT | PHOSPHOR BRONZE | n | PLATING : TIN Ni UNDER PLATED(LEAD FREE) |
| 4 | MOUNTING PLATE | BRASS | 2 | |

n : NO. OF CONTACTS

NOTES

1. THIS PRODUCT IS THE CONNECTOR DESIGNED TO TERMINATE FPC/FFC AND COPES WITH AUTOMATIC MOUNTING (SMT).
2. FLATNESS OF CONTACT TERMINAL AND MOUNTING PLATE MUST BE WITHIN TOLERANCE IN Z PORTION DETAILED DRAWING.
3. THIS DIMENSION IS SPACE FOR THE NOZZLE OF MOUNTER.
4. THIS PRODUCT MEETS EUROPEAN UNION DIRECTIVES AND OTHER COUNTRY REGULATIONS AS DESCRIBED IN GS-22-008
5. THE HOUSING WILL WITHSTAND EXPOSURE TO 260°C PEAK TEMPERATURE FOR 10 SECONDS IN A REFLOW SOLDERING OVEN.

RECOMMENDED PC BOARD LAYOUT (COMPONENT SIDE)

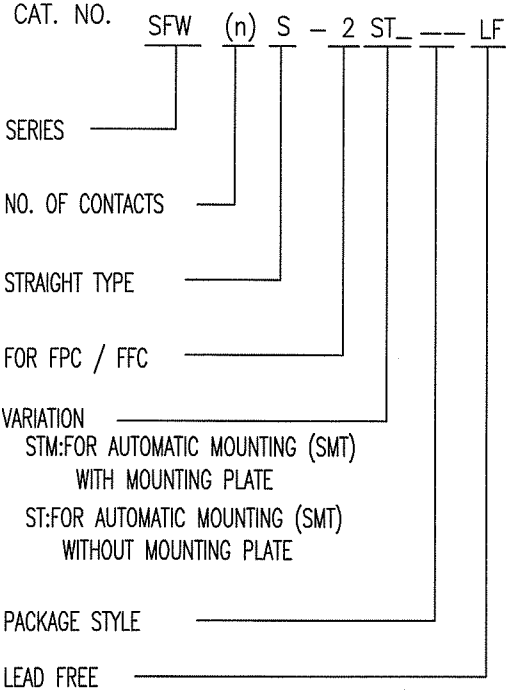


| | | | | | | | | | | | | | |
|-------------|----------|----------------|----------|---------------------------------------|--|----------------------------------|--|------------|--|---|--|------------|--|
| mat'l. code | | | | surface 58 ISO 1302 | | tolerance ISO 406 ISO 1101 | | projection | | product family 58SF | | CODE JP | |
| ltr | ecn no | dr | date | tolerances unless otherwise specified | | | | mm | | title 1mm SPACING SURFACE MOUNT FPC/FFC CONNECTOR (CAT.No.SFW__S-2STM__LF) | | | |
| A | J05-0377 | H.T | 6/22/05 | angles | | ±0.2 | | mm | | dwg no JSA 96518 sheet 1 of 1 size A4 | | | |
| B | J05-0731 | H.T | 10/28/05 | linear | | | | scale X | | | | | |
| C | J06-0430 | H.T | 10/19/06 | dr | | 10/19/06 | | | | type Product Customer Drawing | | | |
| | | | | enrg | | 10/19/06 | | | | | | | |
| | | | | chr | | 10/19/06 | | | | | | | |
| | | | | appd | | 10/20/06 | | | | | | | |
| sheet index | | revision sheet | | C | | 1 | | | | | | Rev. C | |

SC-SFWS 03 JSA96516 form: A4

CAT. NO. & DIMENSIONS

| (NOTE4) | NO. OF CONTACTS (n) | CAT. NO. (NOTE2) | DIMENSIONS (NOTE3) | | |
|---------|---------------------|------------------|--------------------|---------|---------|
| | | | D MAX. | E ± 0.3 | F ± 0.1 |
| | 4 | SFW4S-2ST_E9LF | 30.4 | 24 | — |
| | 5 | SFW5S-2ST_E9LF | 30.4 | 24 | — |
| | 6 | SFW6S-2ST_E9LF | 30.4 | 24 | — |
| * | 7 | SFW7S-2ST_E9LF | 30.4 | 24 | — |
| | 8 | SFW8S-2ST_E9LF | 30.4 | 24 | — |
| * | 9 | SFW9S-2ST_E9LF | 30.4 | 24 | — |
| | 10 | SFW10S-2ST_E9LF | 30.4 | 24 | — |
| | 11 | SFW11S-2ST_E9LF | 30.4 | 24 | — |
| * | 12 | SFW12S-2ST_E9LF | 38.4 | 32 | 28.4 |
| | 13 | SFW13S-2ST_E9LF | 38.4 | 32 | 28.4 |
| | 14 | SFW14S-2ST_E9LF | 38.4 | 32 | 28.4 |
| | 15 | SFW15S-2ST_E9LF | 38.4 | 32 | 28.4 |
| | 16 | SFW16S-2ST_E9LF | 50.4 | 44 | 40.4 |
| | 17 | SFW17S-2ST_E9LF | 50.4 | 44 | 40.4 |
| * | 18 | SFW18S-2ST_E9LF | 50.4 | 44 | 40.4 |
| * | 19 | SFW19S-2ST_E9LF | 50.4 | 44 | 40.4 |
| | 20 | SFW20S-2ST_E9LF | 50.4 | 44 | 40.4 |
| * | 21 | SFW21S-2ST_E9LF | 50.4 | 44 | 40.4 |
| | 22 | SFW22S-2ST_E9LF | 50.4 | 44 | 40.4 |
| | 23 | SFW23S-2ST_E9LF | 50.4 | 44 | 40.4 |
| | 24 | SFW24S-2ST_E9LF | 50.4 | 44 | 40.4 |
| * | 25 | SFW25S-2ST_E9LF | 50.4 | 44 | 40.4 |
| | 26 | SFW26S-2ST_E9LF | 50.4 | 44 | 40.4 |
| * | 27 | SFW27S-2ST_E9LF | 62.4 | 56 | 52.4 |
| | 28 | SFW28S-2ST_E9LF | 62.4 | 56 | 52.4 |
| | 29 | SFW29S-2ST_E9LF | 62.4 | 56 | 52.4 |
| | 30 | SFW30S-2ST_E9LF | 62.4 | 56 | 52.4 |
| * | 31 | SFW31S-2ST_E9LF | 62.4 | 56 | 52.4 |
| * | 32 | SFW32S-2ST_E9LF | 62.4 | 56 | 52.4 |

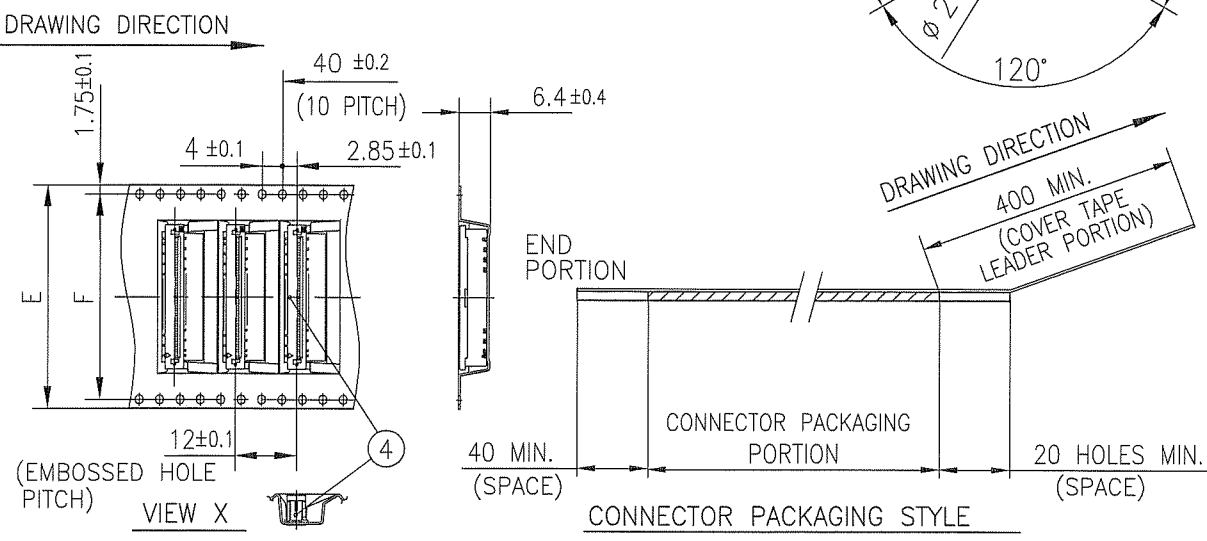
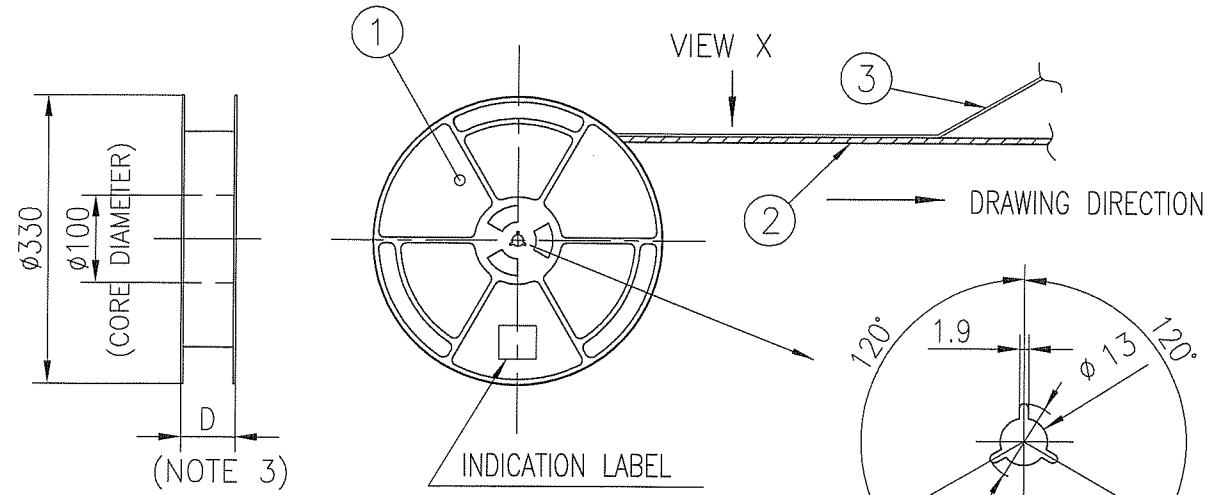


NOTES

1. THIS PRODUCT IS THE CONNECTOR DESIGNED TO TERMINATE FPC/FFC AND COPES WITH AUTOMATIC MOUNTING (SMT).
2. THIS CATALOG NO. INDICATES PLASTIC TAPE PACKAGED CONNECTOR.
3. SEE PART DRAWINGS FOR DIMENSIONS D~F.
4. PLEASE CONSULT US IN CASE OF USING PARTS WITH * MARK.



| | | | | | | | | | | | | | |
|--------------------------|--|----------------|--|---|--|------------|--|--|--|---------|--|--|--|
| mat'l. code | | | | surface 58/ tolerance ISO 1302 ✓ ISO 406 ISO 1101 | | projection | | product family 58SF | | CODE JP | | | |
| ltr ecn no dr date | | | | tolerances unless otherwise specified | | | | title | | | | | |
| A J09-0202 M.Y 2009-5-25 | | | | angles linear | | mm | | CAT NO. TABLE FOR PLASTIC TAPE PACKAGED 1mm SPACING SMT CONN. (CAT.No.SFW__S-2ST_E9LF) | | | | | |
| | | | | dr H.YAMAMOTO 2009-5-25 | | | | dwg no sheet 1 of 1 size | | | | | |
| | | | | enr H.YAMAMOTO 2009-5-25 | | | | JSA 97526 | | A4 | | | |
| | | | | chr S. Wickham 2009-5-25 | | | | | | | | | |
| | | | | appd S. Wickham 2009-5-25 | | | | | | | | | |
| sheet index | | revision sheet | | A 1 | | | | | | Rev. A | | | |



| PT. NO. | PARTS NAME | CAT. NO. | MATERIAL | Q'TY | NOTE |
|---------|-------------------------|---------------|-------------------|------|------------------------|
| 1 | REEL | _____ | POLYSTYRENE | 1 | COLOR : WHITE or BLACK |
| 2 | PLASTIC (EMBOSSED) TAPE | _____ | PET | — | COLOR : TRANSPARENCY |
| 3 | COVER | _____ | POLYESTER | — | COLOR : TRANSPARENCY |
| 4 | CONNECTOR | SFW__S-2ST_LF | SEE ATTACHED DWG. | 500 | _____ |

- NOTES
- THIS IS PLASTIC TAPE PACKAGED CONNECTOR USED FOR FPC/FFC AND COPES WITH AUTOMATIC MOUNTING (SMT).
 - SEE JIS C 0806 (PACKING OF ELECTRONIC COMPONENTS ON CONTINUOUS TAPES (SURFACE MOUNTING DEVICES)) FOR SHAPE AND DIMENSIONS OF PLASTIC (EMBOSSED) TAPE AND REEL.
 - F DIMENSION IS PORTION OF THE CORE.

| | | | | | | | | |
|-------------|----------------|-----|-----------|---------------------------------------|-------------------------------|------------|---|---------|
| mat'l. code | | | | surface ISO 1302 | tolerance ISO 406 ISO 1101 | projection | product family 58SF | CODE JP |
| ltr | ecn no | dr | date | tolerances unless otherwise specified | | mm | title PLASTIC TAPE PACKAGED 1mm SPACING SMT CONNECTOR (Cat. No. SFW__S-2ST_E9LF) | |
| A | J09-0202 | M.Y | 2009-5-25 | angles | linear ±5 | | | |
| | | | | ±5° | | scale X | | |
| | | | | dr | M. YAMASHITA | 2009-5-25 | FCI dwg no JSA 97527 sheet 1 of 1 size A4 type Product Customer Drawing | |
| | | | | enr | M. YAMASHITA | 2009-5-25 | | |
| | | | | chr | S. Subramanian | 2009-5-25 | | |
| | | | | appd | J. Okada | 2009-5-25 | | |
| sheet index | revision sheet | A | 1 | | | | | Rev. A |



FCIconnect.com

Copyright FCI.

RECOMMENDED CABLE (FPC)

n : NO. OF CONDUCTORS



| PT. NO. | DESCRIPTION | MATERIAL | THICKNESS (μm) |
|---------|-----------------|---|-----------------------------|
| 1 | BASE FILM | POLYIMIDE OR POLYESTER OR EQUIVALENT | 25 |
| 2 | CONDUCTOR | COPPER FOIL(PLATING : SOLDER $1\mu\text{m}$ MIN.) | 35 |
| 3 | OVERLAY | POLYIMIDE OR POLYESTER OR EQUIVALENT | — |
| 4 | SUPPORTING TAPE | POLYESTER OR POLYIMIDE OR EQUIVALENT | 188 |

NOTES

1. NO BURR AT EACH PORTION.
2. NO PEELING IN COMMON USE.
3. TOTAL THICKNESS LIMIT OF EACH MATERIAL (INCLUDING ADHESIVE AGENT) IS SPECIFIED.

| | | | | | | | | | | | |
|----------------------------|--|----------------|--|---|--|------------|--|-------------------------------|--|---------|--|
| mat'l. code | | | | surface 58 / tolerance ISO 406 ISO 1101 | | projection | | product family 58SF | | CODE JP | |
| ltr ecn no dr date | | | | tolerances unless otherwise specified | | mm | | title | | | |
| AA J04-0333 H.T Oct.13,'04 | | | | angles linear | | mm | | RECOMMENDED CABLE | | | |
| AB J06-0430 H.T 10/19/06 | | | | | | scale X | | (CAT.No.SFW__S-2ST__) | | | |
| | | | | dr 10/19/06 | | FCI | | dwg no sheet 1 of 1 size | | | |
| | | | | enr 10/19/06 | | | | JSA 93340 | | A4 | |
| | | | | chr 10/19/06 | | | | type Product Customer Drawing | | | |
| | | | | appd 10/20/06 | | | | | | | |
| sheet index | | revision sheet | | AB 1 | | | | | | Rev AB | |

RECOMMENDED CABLE (FFC)

n : NO. OF CONDUCTORS



| PT. NO. | DESCRIPTION | MATERIAL | NOTE |
|---------|-----------------|---|------------------------------------|
| 1 | INSULATOR | FLAME RESISTING POLYESTER OR EQUIVALENT | _____ |
| 2 | CONDUCTOR | COPPER FOIL | PLATING: TIN OR SOLDER 1µm MIN. |
| 3 | SUPPORTING TAPE | FLAME RESISTING POLYESTER OR EQUIVALENT | _____ |

NOTES

1. NO BURR AT EACH PORTION.
2. NO PEELING IN COMMON USE.

| | | | | | | | | | | | |
|---------------------------|--|-------------|--|---|--|------------|--|---|--|---------|--|
| mat'l. code | | | | surface 5B / tolerance ISO 406 ISO 1101 | | projection | | product family 58SF | | CODE JP | |
| ltr ecn no dr date | | | | tolerances unless otherwise specified | | mm | | title | | | |
| AA J04-0333 H.T. 06.13.04 | | | | angles linear | | mm | | RECOMMENDED CABLE (CAT.No.SFW__S-2ST__) | | | |
| AB J06-0430 H.T. 10/19/06 | | | | | | scale X | | dwg no sheet 1 of 1 size | | | |
| | | | | dr 10/19/06 | | FCI | | JSA 93341 A4 | | | |
| | | | | enr 10/19/06 | | | | type Product Customer Drawing | | | |
| | | | | chr R. Showe 10/19/06 | | | | | | | |
| | | | | appd P. Madan 10/20/06 | | | | | | | |
| sheet index | | revision AB | | | | | | | | Rev. AB | |
| | | sheet 1 | | | | | | | | | |