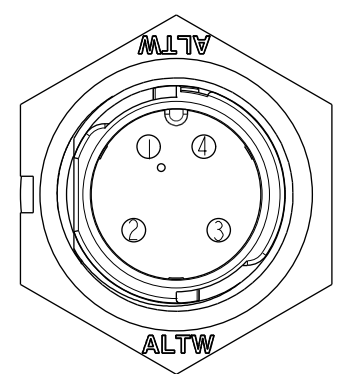
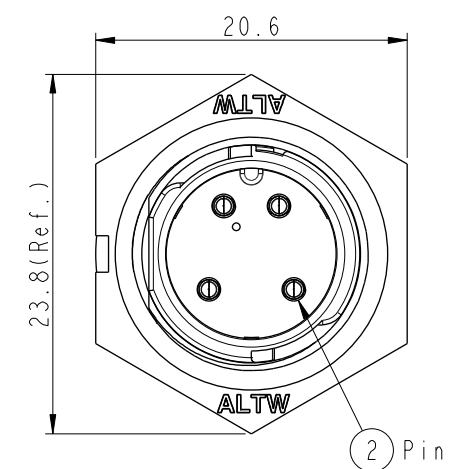
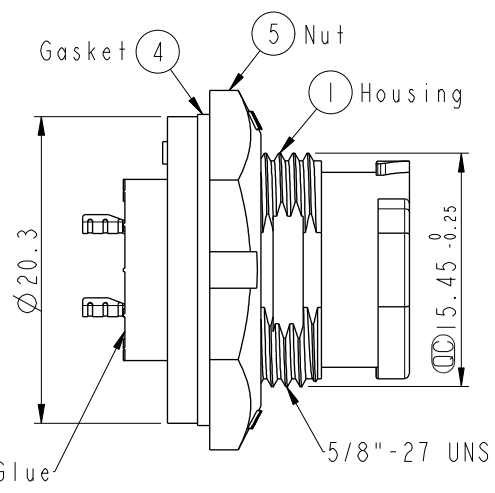
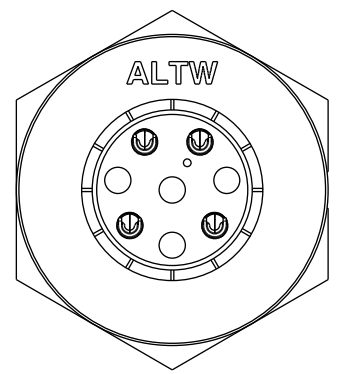


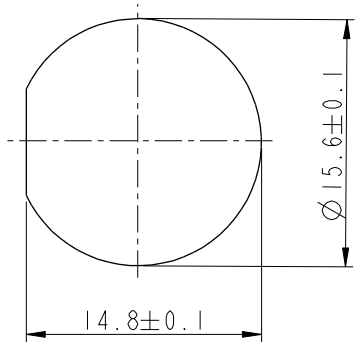
THIS DOCUMENT IS SUBJECT TO CHANGE WITHOUT NOTICE. IT IS CONFIDENTIAL AND A PROPERTY OF Amphenol LTW. DISCLOSURE TO THIRD PARTY HAS TO BE AUTHORIZED BY Amphenol LTW.

REV.	ECN NO.	DATE	SIGN	DESCRIPTION
B	C190411	2019/03/19	Vicky	Change Note

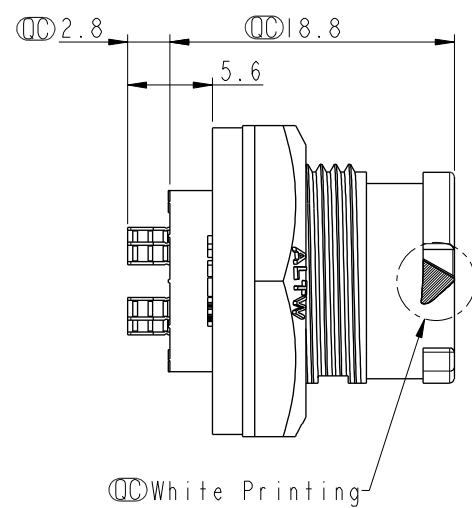
**ALTW**  
 CONFIDENTIAL  
 2019-03-19  
 R&D DEPT.



Pin Assignments  
Front View



Recommended Panel Cut-out



- Note:**
- \*  $\phi$  Important Dimension To Check.
  - \* Waterproof Rate: IP68, Unmated. In 1 meter water within 24 hours
  - \* Housing: Thermoplastic, Black.
  - \* Pin: Copper Alloy, Gold Plated.
  - \* Nut: Thermoplastic, Black.
  - \* Gasket: Rubber, Gary.
  - \* Use Without Waterproof Cap Panel Thickness Max: 4.0mm
  - \* Use With Waterproof Cap Panel Thickness Max: 3.0mm
  - \* Gasket and Nut are packed separately in PE bags.

<b>UNIT: mm</b>		
<b>TOLERANCE</b>	X $\pm 0.25$	

<b>TITLE</b> X Lok B-Size Receptacle Front Fastened M Conn M 4 Pin			
<b>SCALE</b> 2:1	<b>SIZE</b> A4	<b>SHEET</b> 1	<b>OF</b> 1
<b>REV.</b> B	<b>WC-REV.</b> A.4	$\phi$ Inspection item	

**Amphenol LTW**  
 安費諾亮泰企業股份有限公司

<b>ITEM NO.</b> BD-04PMMS-OC8001	<b>DRAWN BY</b> Vicky	<b>DATE</b> 2019-03-19
<b>DWG NO.</b> BD-04PMMS-OC8001	<b>CHECKED BY</b> Rita	<b>DATE</b> 2019-03-19
<b>CUSTOMER</b> ALTW	<b>APPROVED BY</b> Max	<b>DATE</b> 2019-03-19