

# SF-6AS2000 - Crimp contact



1605557

<https://www.phoenixcontact.com/in/products/1605557>

Please be informed that the data shown in this PDF document is generated from our Online Catalog. Please find the complete data in the user documentation. Our General Terms of Use for Downloads are valid.



Crimp contact, Socket, turned, Single contact, contact diameter: 1 mm, crimp range: 0.25 mm<sup>2</sup> ... 1 mm<sup>2</sup>, Alternative product in accordance with RoHS II without Exemption 6c (Pb <0.1%) item no.: 1241922

## Your advantages

- Crimping connection: vibration- and temperature-resistant assembly
- High tensile strength of the connection
- Low contact resistance
- Easy production monitoring

## Commercial Data

Item number	1605557
Packing unit	100 pc
Minimum order quantity	100 pc
Sales Key	ABR
Product Key	ABREBC
Catalog Page	Page 113 (C-2-2019)
GTIN	4046356182188
Weight per Piece (including packing)	0.255 g
Weight per Piece (excluding packing)	0.22 g
Customs tariff number	85366990
Country of origin	DE

# SF-6AS2000 - Crimp contact



1605557

<https://www.phoenixcontact.com/in/products/1605557>

## Technical Data

### Product properties

Product type	Crimp contact
Contact type	turned
Series	SF

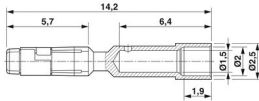
### Connection data

Connection method	Crimp connection
Type of contact	Socket
Conductor cross section	0.25 mm <sup>2</sup> ... 1 mm <sup>2</sup>

### Material specifications

Contact surface	Nickel-plated (Ni), with gold coating (Au)
Contact material	CuZn
Contact material	CuZn
Contact surface	Nickel-plated, gold coating

### Dimensions

Dimensional drawing	
Length	14.2 mm

### Mechanical characteristics

Contact diameter	1 mm
------------------	------

### Mechanical properties

#### Mechanical data

Insertion/withdrawal cycles	100
-----------------------------	-----

# SF-6AS2000 - Crimp contact

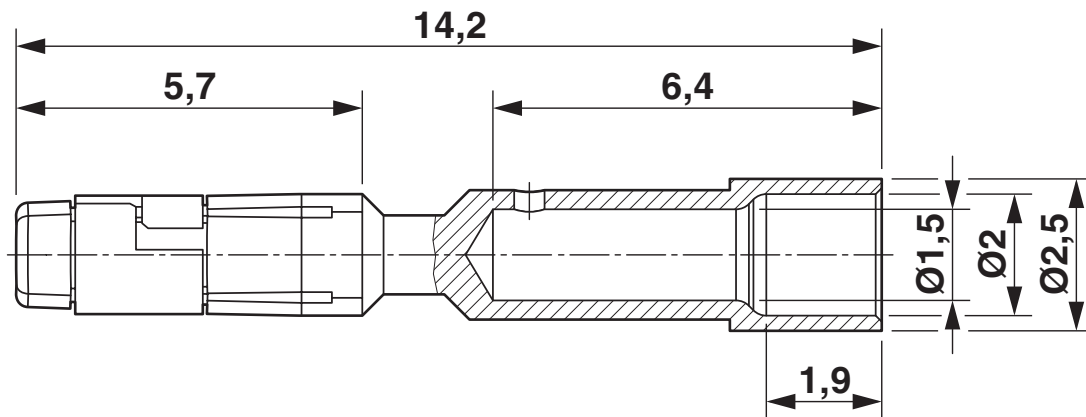
1605557

<https://www.phoenixcontact.com/in/products/1605557>



## Drawings

Dimensional drawing



Dimensional drawing

# SF-6AS2000 - Crimp contact

1605557

<https://www.phoenixcontact.com/in/products/1605557>



## Approvals



**EAC**

Approval ID: B.01687

# SF-6AS2000 - Crimp contact



1605557

<https://www.phoenixcontact.com/in/products/1605557>

## Classifications

### ECLASS

ECLASS-11.0	27440204
ECLASS-12.0	27440204
ECLASS-13.0	27440204

### ETIM

ETIM 8.0	EC000796
----------	----------

### UNSPSC

UNSPSC 21.0	39121500
-------------	----------

# SF-6AS2000 - Crimp contact



1605557

<https://www.phoenixcontact.com/in/products/1605557>

## Environmental Product Compliance

REACH SVHC	Lead 7439-92-1
China RoHS	Environmentally Friendly Use Period = 50 years
	For information on hazardous substances, refer to the manufacturer's declaration available under "Downloads"

# SF-6AS2000 - Crimp contact

1605557

<https://www.phoenixcontact.com/in/products/1605557>



## Accessories

### SF-Z0053 - Crimp locator

1615584

<https://www.phoenixcontact.com/in/products/1615584>



Locator for RC-Z2514 and RC-Z2504 crimping pliers, for crimping turned SF and ST contacts, diameter of 0.6 mm ... 1.0 mm and 2.0 mm.

---

### SF-Z0025 - Crimping pliers with digital display

1607452

<https://www.phoenixcontact.com/in/products/1607452>



Crimping pliers for turned crimp contacts  $\varnothing$  1.0 mm /  $\varnothing$  1.6 mm /  $\varnothing$  2 mm /  $\varnothing$  3.6 mm, litz wire cross section of 0.08 mm<sup>2</sup> ... 6 mm<sup>2</sup>

# SF-6AS2000 - Crimp contact

1605557

<https://www.phoenixcontact.com/in/products/1605557>



## SF-Z0054 - Crimping pliers with digital display

1615585

<https://www.phoenixcontact.com/in/products/1615585>



Crimping pliers for turned crimp contacts  $\varnothing$  0.6 mm /  $\varnothing$  0.8 mm /  $\varnothing$  1 mm /  $\varnothing$  2 mm, litz wire cross section of 0.06 mm<sup>2</sup> ... 2.5 mm<sup>2</sup>

---

## SF-Z0043 - Crimping tool, pneumatic

1614571

<https://www.phoenixcontact.com/in/products/1614571>



Crimping tool, pneumatic, series: ST, RF, SF, SM

---

Phoenix Contact 2023 © - all rights reserved  
<https://www.phoenixcontact.com>

PHOENIX CONTACT (I) Pvt. Ltd.  
A-58/2, Okhla Industrial Area, Phase - II, New Delhi-110 020

+91.1275.71420  
[info@phoenixcontact.co.in](mailto:info@phoenixcontact.co.in)