

G-INSEC-M16-S68N-NCRS-S - Cable gland



1411188

<https://www.phoenixcontact.com/in/products/1411188>

Please be informed that the data shown in this PDF document is generated from our Online Catalog. Please find the complete data in the user documentation. Our General Terms of Use for Downloads are valid.



Cable gland, material for screw connection: Nickel-plated brass, external cable diameter 5 mm ... 9 mm, shielding: yes, connecting thread: M16 x 1.5, color: silver, with O-ring

Commercial Data

Item number	1411188
Packing unit	10 pc
Minimum order quantity	10 pc
Sales Key	BF7
Product Key	BF7DBX
Catalog Page	Page 698 (C-2-2017)
GTIN	4046356923194
Weight per Piece (including packing)	21 g
Weight per Piece (excluding packing)	20.85 g
Customs tariff number	74198090
Country of origin	DE

G-INSEC-M16-S68N-NCRS-S - Cable gland

1411188

<https://www.phoenixcontact.com/in/products/1411188>

Technical Data

Mounting

Assembly instructions	<p>Method 1 Cut the outer sheath, but do not remove it. Feed the cable through the screw connection and then remove the outer sheath. Now pull the cable back until the connection is established between the cable shield and the contact spring.</p> <p>Method 2 Push the braided shield back around 15 ... 20 mm over the outer sheath. Insert the cables into the screw connection until the connection is established between the cable shield and the contact spring.</p>
-----------------------	---

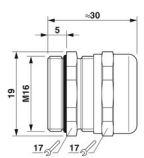
Product properties

Product type	Full screw connection
No. of conductors	1
Manufacturer	Jacob
Manufacturer Designation	50.616 M/EMVD
Shielded	yes
Execution of the strain relief	A

Characteristics

Category of shock impact	6
Design, Strain relief	A

Dimensions

Dimensional drawing	
Length	30 mm
Length of the connecting thread	5 mm
Hole diameter	16.1 mm ... 16.2 mm
Wrench size, union nut	17 mm
Wrench size, support	17 mm
Hexagon angular dimension	19 mm
Thread type connection side	M16 x 1.5
Thread pitch	1.5 mm

Material specifications

Color	silver
Material Compression ring	PA 6
Seal material O-ring	Perbunan

G-INSEC-M16-S68N-NCRS-S - Cable gland



1411188

<https://www.phoenixcontact.com/in/products/1411188>

Seal material Cable seal	CR/NBR
Material for screw connection	Nickel-plated brass

Cable/line

External cable diameter	5 mm ... 9 mm
Halogen-free	no

Environmental and real-life conditions

Ambient conditions

Degree of protection	IP68 (5 bar, 30 minutes)
Ambient temperature (operation)	-40 °C ... 100 °C (static)

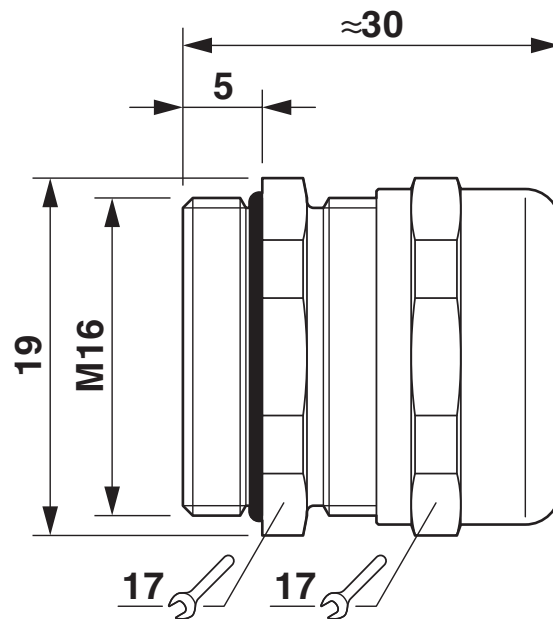
G-INSEC-M16-S68N-NCRS-S - Cable gland

1411188

<https://www.phoenixcontact.com/in/products/1411188>

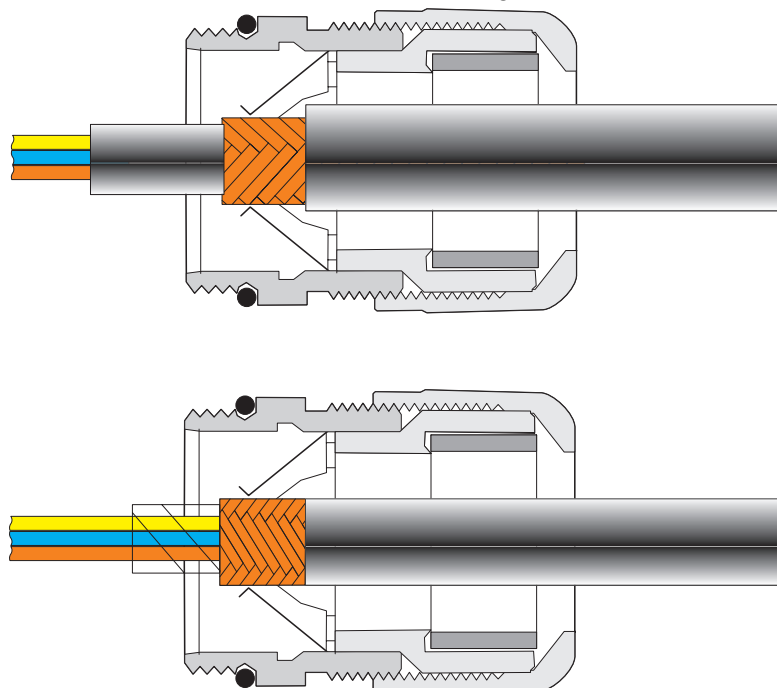
Drawings

Dimensional drawing



Dimensional drawing

Functional drawing



See assembly instruction

G-INSEC-M16-S68N-NCRS-S - Cable gland



1411188

<https://www.phoenixcontact.com/in/products/1411188>

Approvals



cUL Recognized

Approval ID: QCRV8.E140310



UL Recognized

Approval ID: QCRV2.E140310



UL Listed

Approval ID: QCRV.E140310



cUL Listed

Approval ID: QCRV7.E140310

G-INSEC-M16-S68N-NCRS-S - Cable gland



1411188

<https://www.phoenixcontact.com/in/products/1411188>

Classifications

ECLASS

ECLASS-11.0	27144432
ECLASS-12.0	27140801
ECLASS-13.0	27140801

ETIM

ETIM 8.0	EC000441
----------	----------

UNSPSC

UNSPSC 21.0	39121300
-------------	----------

G-INSEC-M16-S68N-NCRS-S - Cable gland



1411188

<https://www.phoenixcontact.com/in/products/1411188>

Environmental Product Compliance

REACH SVHC	Lead 7439-92-1
China RoHS	Environmentally Friendly Use Period = 50 years
	For information on hazardous substances, refer to the manufacturer's declaration available under "Downloads"

G-INSEC-M16-S68N-NCRS-S - Cable gland



1411188

<https://www.phoenixcontact.com/in/products/1411188>

Accessories

SEALING PLUG 8X16 RD - Closing cap

1400257

<https://www.phoenixcontact.com/in/products/1400257>

Closing cap, color: red



Phoenix Contact 2023 © - all rights reserved
<https://www.phoenixcontact.com>

PHOENIX CONTACT (I) Pvt. Ltd.
A-58/2, Okhla Industrial Area, Phase - II, New Delhi-110 020

+91.1275.71420
info@phoenixcontact.co.in