

# HC-K 6/36-ESTC - Contact insert



1636376

<https://www.phoenixcontact.com/in/products/1636376>

Please be informed that the data shown in this PDF document is generated from our Online Catalog. Please find the complete data in the user documentation. Our General Terms of Use for Downloads are valid.

HEAVYCON male insert, K6/36 series, for 6 power and 36 control contacts, crimp connection



## Commercial Data

Item number	1636376
Packing unit	1 pc
Minimum order quantity	1 pc
Sales Key	BF7
Product Key	BF7ABA
Catalog Page	Page 569 (C-2-2019)
GTIN	4046356011518
Weight per Piece (including packing)	68.2 g
Weight per Piece (excluding packing)	65.6 g
Customs tariff number	85366990
Country of origin	CN

# HC-K 6/36-ESTC - Contact insert



1636376

<https://www.phoenixcontact.com/in/products/1636376>

## Technical Data

### Notes

General	For HEAVYCON ADVANCE and HEAVYCON housing of type B16/B32, power contacts: CK 4,0-ED, control contacts: CK 1,6-ED (crimp contacts not supplied as standard)
General	Connectors may be operated only when there is no load/voltage.

### Mounting

Assembly instructions	To ensure correct use, installation in housing with IP54 protection or better is required
-----------------------	---

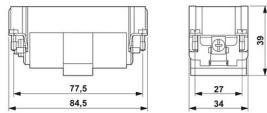
### Product properties

Type	B16
	B32
Product type	Contact insert with a fixed no. of positions
Number of positions	42
Connection profile	6+36+PE
Contact numbering	1 - 6 (power contacts)
	1 - 36 (control contacts)
No. of power contacts	6
No. of control contacts	36
Contact type	turned
Series	HC-K

### Insulation characteristics

Overvoltage category	III
Degree of pollution	3

### Dimensions

Dimensional drawing	
Width	34 mm
Height	39 mm
Length	84.5 mm
Drill hole distance, horizontal	77.5 mm

### Mechanical characteristics

Contact diameter	4 mm
------------------	------

### Electrical properties

Rated voltage (III/3)	690 V (power contacts)
-----------------------	------------------------

# HC-K 6/36-ESTC - Contact insert



1636376

<https://www.phoenixcontact.com/in/products/1636376>

	160 V (control contacts)
Rated surge voltage	8 kV (power contacts)
	2.5 kV (control contacts)
Rated current	40 A (power contacts)
	10 A (control contacts)

## Mechanical properties

### Mechanical data

Insertion/withdrawal cycles	≥ 500
-----------------------------	-------

## Material specifications

Flammability rating according to UL 94	V0
Contact material	Cu alloy
Contact carrier material	PC
Material of contact surface, power contact	Ag
Material of contact surface, control contact	Ag (alternatively Au)
Standards/regulations	PC: Fire protection in rail vehicles - requirement set R22 acc. to DIN EN 45545-2 (Risk level HL1 - HL2)
	PC: Fire protection in rail vehicles - requirement set R23 acc. to DIN EN 45545-2 (Risk level HL1 - HL3)

## Environmental and real-life conditions

### Ambient conditions

Ambient temperature (operation)	-40 °C ... 125 °C
---------------------------------	-------------------

## Standards and regulations

### Testing

Standards/regulations	PC: Fire protection in rail vehicles - requirement set R22 acc. to DIN EN 45545-2 (Risk level HL1 - HL2)
	PC: Fire protection in rail vehicles - requirement set R23 acc. to DIN EN 45545-2 (Risk level HL1 - HL3)

# HC-K 6/36-ESTC - Contact insert

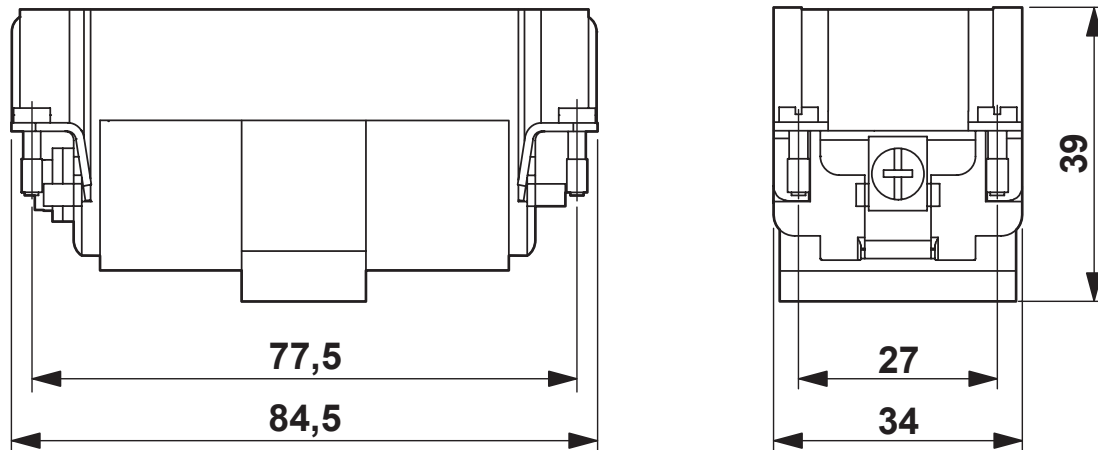


1636376

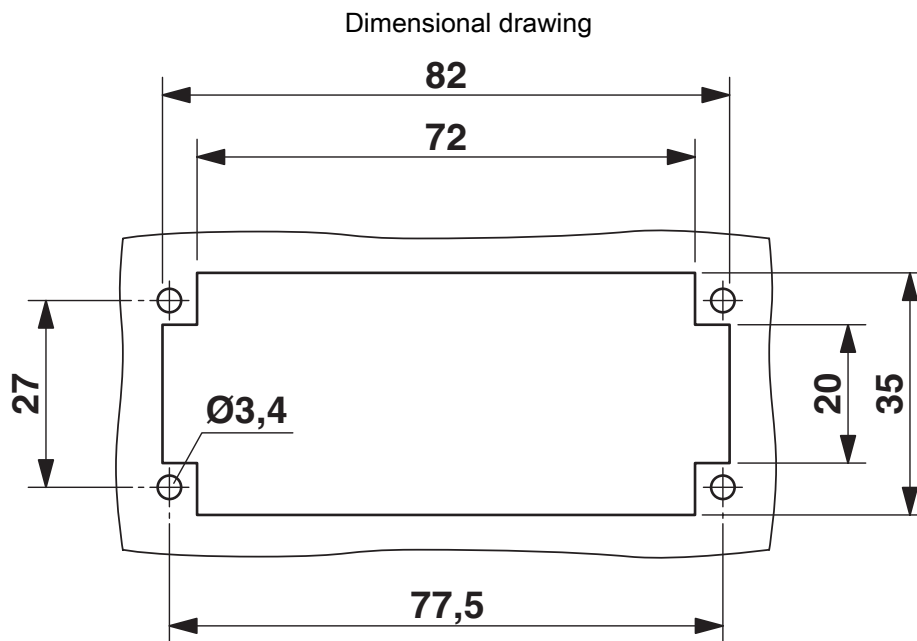
<https://www.phoenixcontact.com/in/products/1636376>

## Drawings

Dimensional drawing



Dimensional drawing



Mounting cutout when used without housing

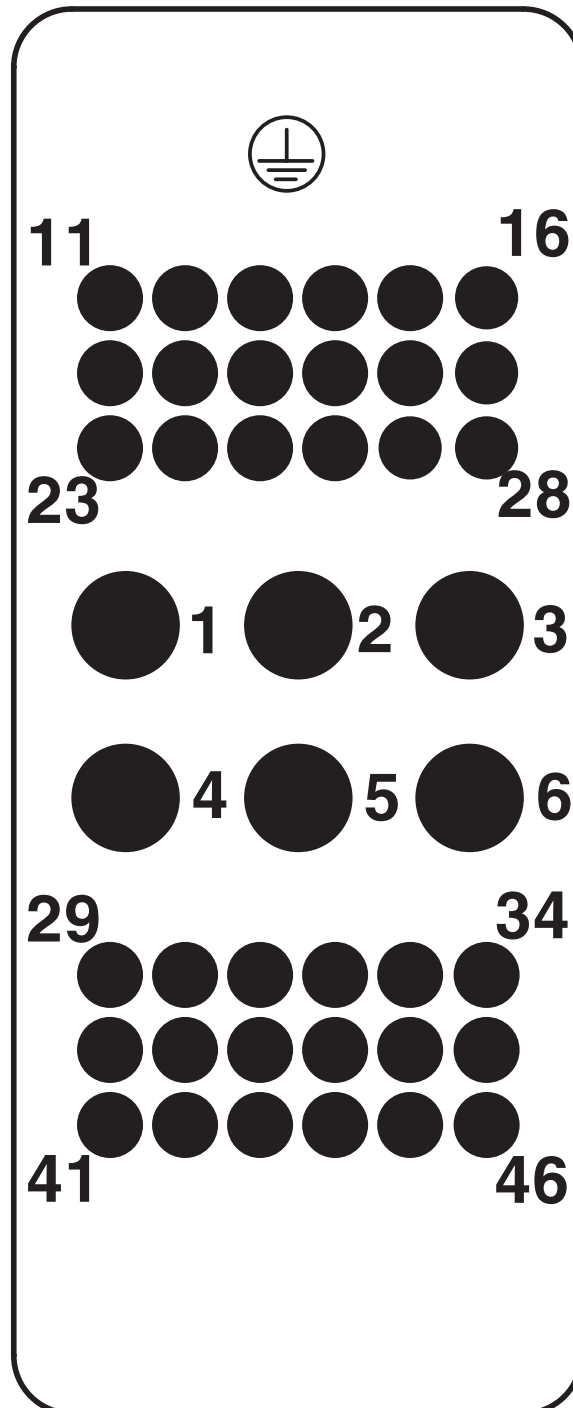
# HC-K 6/36-ESTC - Contact insert

1636376

<https://www.phoenixcontact.com/in/products/1636376>



Schematic diagram



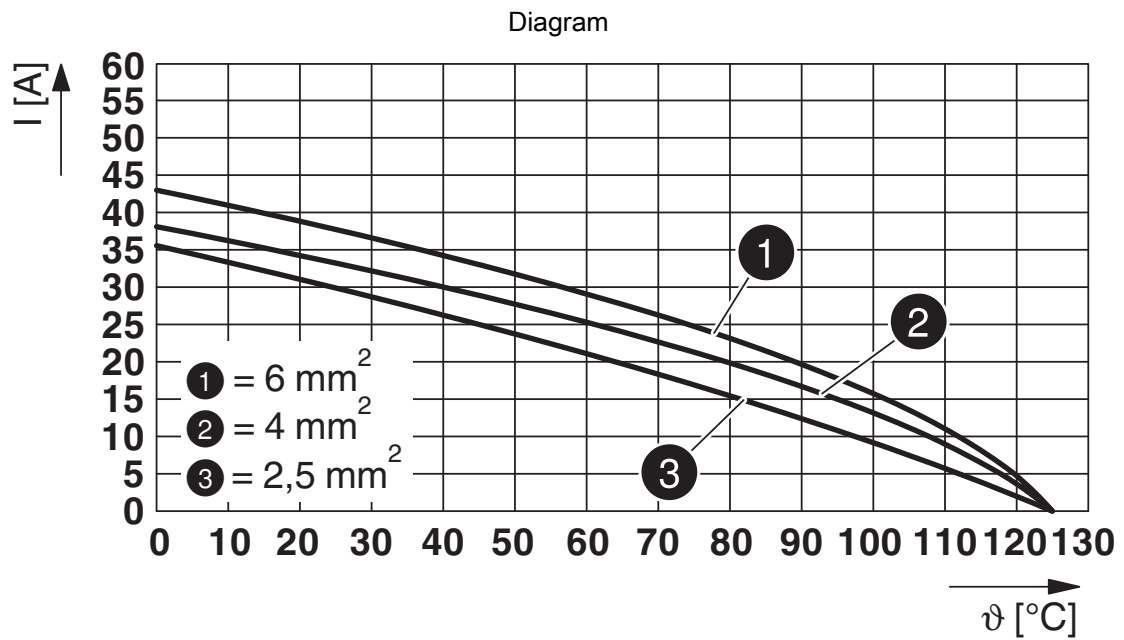
Connector pin assignment, connection side

# HC-K 6/36-ESTC - Contact insert



1636376

<https://www.phoenixcontact.com/in/products/1636376>



Derating diagram


# HC-K 6/36-ESTC - Contact insert




1636376

<https://www.phoenixcontact.com/in/products/1636376>

## Approvals

 <b>UL Recognized</b> Approval ID: E118976				
	Nominal Voltage $U_N$	Nominal Current $I_N$	Cross Section AWG	Cross Section $\text{mm}^2$
	600 V	40 A	- 10	-
	600 V	10 A	14	-

 <b>EAC</b> Approval ID: RU C-DE.BL08.B.00511				
---	--	--	--	--

# HC-K 6/36-ESTC - Contact insert



1636376

<https://www.phoenixcontact.com/in/products/1636376>

## Classifications

### ECLASS

ECLASS-11.0	27440205
ECLASS-12.0	27440205
ECLASS-13.0	27440205

### ETIM

ETIM 8.0	EC000438
----------	----------

### UNSPSC

UNSPSC 21.0	39121500
-------------	----------



# HC-K 6/36-ESTC - Contact insert



1636376

<https://www.phoenixcontact.com/in/products/1636376>

## Environmental Product Compliance

China RoHS	Environmentally friendly use period: unlimited = EFUP-e No hazardous substances above threshold values
------------	---

# HC-K 6/36-ESTC - Contact insert

1636376

<https://www.phoenixcontact.com/in/products/1636376>



## Accessories

### HC-CB - Coding bolt

1772722

<https://www.phoenixcontact.com/in/products/1772722>



Coding pin, prevents mismatching of up to six connectors with an identical number of positions

---

### HC-CST - Coding element

1676857

<https://www.phoenixcontact.com/in/products/1676857>



Coding peg for coding up to 16 connectors

## HC-K 6/36-ESTC - Contact insert

1636376

<https://www.phoenixcontact.com/in/products/1636376>



## HC-CBU - Coding element

1676860

<https://www.phoenixcontact.com/in/products/1676860>



Coding socket for coding up to 16 connectors

---

## CRIMPFOX-TC 10 - Crimping pliers

1212114

<https://www.phoenixcontact.com/in/products/1212114>



**Crimping pliers**, for turned contacts with a pin diameter of 4.0 mm, two marked die stations, pressure lock can be released, lateral entry, incl. positioning help

# HC-K 6/36-ESTC - Contact insert

1636376

<https://www.phoenixcontact.com/in/products/1636376>



## UNIFOX MT-CK 1.6/2.5 - Assembly tool

1089092

<https://www.phoenixcontact.com/in/products/1089092>



Assembly tool, for CK 1.6... crimp contacts for small conductor cross sections

---

## UNIFOX RT-CK 1.6 - Contact removal tool

1072069

<https://www.phoenixcontact.com/in/products/1072069>



Contact removal tool, for turned and rolled CK- 1.6-... contacts

## HC-K 6/36-ESTC - Contact insert

1636376

<https://www.phoenixcontact.com/in/products/1636376>



## UNIFOX RT-CK 4.0 - Contact removal tool

1072064

<https://www.phoenixcontact.com/in/products/1072064>



Contact removal tool, for rotated CK-4,0-... contacts

---

## CK1,6-ED-0,37ST AG - Crimp contact

1663336

<https://www.phoenixcontact.com/in/products/1663336>



Crimp contact, contact diameter: 1.6 mm, turned, Pin, contact material: Copper alloy, contact surface: silver-plated, connection cross section: 0.14 mm<sup>2</sup> ... 0.37 mm<sup>2</sup>, AWG 26 ... 22

## HC-K 6/36-ESTC - Contact insert

1636376

<https://www.phoenixcontact.com/in/products/1636376>



### CK1,6-ED-0,50ST AG - Crimp contact

1663349

<https://www.phoenixcontact.com/in/products/1663349>



Crimp contact, contact diameter: 1.6 mm, turned, Pin, contact material: Copper alloy, contact surface: silver-plated, connection cross section: 0.5 mm<sup>2</sup> ... 0.5 mm<sup>2</sup>, AWG 20

---

### CK1,6-ED-0,75ST AG - Crimp contact

1663352

<https://www.phoenixcontact.com/in/products/1663352>



Crimp contact, contact diameter: 1.6 mm, turned, Pin, contact material: Copper alloy, contact surface: silver-plated, connection cross section: 0.75 mm<sup>2</sup> ... 0.75 mm<sup>2</sup>, AWG 18

## HC-K 6/36-ESTC - Contact insert

1636376

<https://www.phoenixcontact.com/in/products/1636376>



### CK1,6-ED-1,00ST AG - Crimp contact

1663365

<https://www.phoenixcontact.com/in/products/1663365>



Crimp contact, contact diameter: 1.6 mm, turned, Pin, contact material: Copper alloy, contact surface: silver-plated, connection cross section: 1 mm<sup>2</sup> ... 1 mm<sup>2</sup>, AWG 18

---

### CK1,6-ED-1,50ST AG - Crimp contact

1663378

<https://www.phoenixcontact.com/in/products/1663378>



Crimp contact, contact diameter: 1.6 mm, turned, Pin, contact material: Copper alloy, contact surface: silver-plated, connection cross section: 1.5 mm<sup>2</sup> ... 1.5 mm<sup>2</sup>, AWG 16

# HC-K 6/36-ESTC - Contact insert

1636376

<https://www.phoenixcontact.com/in/products/1636376>



## CK1,6-ED-2,50ST AG - Crimp contact

1663381

<https://www.phoenixcontact.com/in/products/1663381>



Crimp contact, contact diameter: 1.6 mm, turned, Pin, contact material: Copper alloy, contact surface: silver-plated, connection cross section: 2.5 mm<sup>2</sup> ... 2.5 mm<sup>2</sup>, AWG 14

---

## CK1,6-ED-ST-POF - Male contact

1884995

<https://www.phoenixcontact.com/in/products/1884995>



POF fiber optic pin contact, turned, for contact carriers (HC-DD...I-CT.../ HC-M-12-CT-.../ HC-M-17-CT-...) of CK1,6-ED... contacts



# HC-K 6/36-ESTC - Contact insert

1636376

<https://www.phoenixcontact.com/in/products/1636376>



## CK1,6-ED-0,37M AG - Crimp contact

1266193

<https://www.phoenixcontact.com/in/products/1266193>



Crimp contact, contact diameter: 1.6 mm, turned, Pin, contact material: Copper alloy, lead-free, contact surface: silver-plated, connection cross section: 0.14 mm<sup>2</sup> ... 0.34 mm<sup>2</sup>, AWG 26 ... 22

---

## CK1,6-ED-0,50M AG - Crimp contact

1266195

<https://www.phoenixcontact.com/in/products/1266195>



Crimp contact, contact diameter: 1.6 mm, turned, Pin, contact material: Copper alloy, lead-free, contact surface: silver-plated, connection cross section: 0.5 mm<sup>2</sup> ... 0.5 mm<sup>2</sup>, AWG 20

# HC-K 6/36-ESTC - Contact insert

1636376

<https://www.phoenixcontact.com/in/products/1636376>



## CK1,6-ED-1,50M AG - Crimp contact

1266245

<https://www.phoenixcontact.com/in/products/1266245>



Crimp contact, contact diameter: 1.6 mm, turned, Pin, contact material: Copper alloy, lead-free, contact surface: silver-plated, connection cross section: 1.5 mm<sup>2</sup> ... 1.5 mm<sup>2</sup>, AWG 16

---

## CK1,6-ED-0,75M AG - Crimp contact

1266450

<https://www.phoenixcontact.com/in/products/1266450>



Crimp contact, contact diameter: 1.6 mm, turned, Pin, contact material: Copper alloy, lead-free, contact surface: silver-plated, connection cross section: 0.75 mm<sup>2</sup> ... 0.75 mm<sup>2</sup>, AWG 18

# HC-K 6/36-ESTC - Contact insert

1636376

<https://www.phoenixcontact.com/in/products/1636376>



## CK1,6-ED-1,00M AG - Crimp contact

1266244

<https://www.phoenixcontact.com/in/products/1266244>



Crimp contact, contact diameter: 1.6 mm, turned, Pin, contact material: Copper alloy, lead-free, contact surface: silver-plated, connection cross section: 1 mm<sup>2</sup> ... 1 mm<sup>2</sup>, AWG 18

---

## CK1,6-ED-2,50M AG - Crimp contact

1266247

<https://www.phoenixcontact.com/in/products/1266247>



Crimp contact, contact diameter: 1.6 mm, turned, Pin, contact material: Copper alloy, lead-free, contact surface: silver-plated, connection cross section: 2.5 mm<sup>2</sup> ... 2.5 mm<sup>2</sup>, AWG 14

# HC-K 6/36-ESTC - Contact insert

1636376

<https://www.phoenixcontact.com/in/products/1636376>



## CK1,6-ED-0,37ST AU - Crimp contact

1674901

<https://www.phoenixcontact.com/in/products/1674901>



Crimp contact, contact diameter: 1.6 mm, turned, Pin, contact material: Copper alloy, contact surface: gold-plated, connection cross section: 0.14 mm<sup>2</sup> ... 0.37 mm<sup>2</sup>, AWG 22 ... 24

---

## CK1,6-ED-0,50ST AU - Crimp contact

1672453

<https://www.phoenixcontact.com/in/products/1672453>



Crimp contact, contact diameter: 1.6 mm, turned, Pin, contact material: Copper alloy, contact surface: gold-plated, connection cross section: 0.5 mm<sup>2</sup> ... 0.5 mm<sup>2</sup>, AWG 20

# HC-K 6/36-ESTC - Contact insert

1636376

<https://www.phoenixcontact.com/in/products/1636376>



## CK1,6-ED-0,75ST AU - Crimp contact

1674914

<https://www.phoenixcontact.com/in/products/1674914>



Crimp contact, contact diameter: 1.6 mm, turned, Pin, contact material: Copper alloy, contact surface: gold-plated, connection cross section: 0.75 mm<sup>2</sup> ... 0.75 mm<sup>2</sup>, AWG 18

---

## CK1,6-ED-1,00ST AU - Crimp contact

1674888

<https://www.phoenixcontact.com/in/products/1674888>



Crimp contact, contact diameter: 1.6 mm, turned, Pin, contact material: Copper alloy, contact surface: gold-plated, connection cross section: 1 mm<sup>2</sup> ... 1 mm<sup>2</sup>, AWG 18

## HC-K 6/36-ESTC - Contact insert

1636376

<https://www.phoenixcontact.com/in/products/1636376>



### CK1,6-ED-1,50ST AU - Crimp contact

1674875

<https://www.phoenixcontact.com/in/products/1674875>



Crimp contact, contact diameter: 1.6 mm, turned, Pin, contact material: Copper alloy, contact surface: gold-plated, connection cross section: 1.5 mm<sup>2</sup> ... 1.5 mm<sup>2</sup>, AWG 16

---

### CK1,6-ED-2,50ST AU - Crimp contact

1674927

<https://www.phoenixcontact.com/in/products/1674927>



Crimp contact, contact diameter: 1.6 mm, turned, Pin, contact material: Copper alloy, contact surface: gold-plated, connection cross section: 2.5 mm<sup>2</sup> ... 2.5 mm<sup>2</sup>, AWG 14

# HC-K 6/36-ESTC - Contact insert

1636376

<https://www.phoenixcontact.com/in/products/1636376>



## CK4,0-ED-1,50ST AG - Crimp contact

1663239

<https://www.phoenixcontact.com/in/products/1663239>



Crimp contact, contact diameter: 4 mm, turned, Pin, contact material: Copper alloy, contact surface: silver-plated, connection cross section: 1.5 mm<sup>2</sup> ... 1.5 mm<sup>2</sup>, AWG 16

---

## CK4,0-ED-2,50ST AG - Crimp contact

1663242

<https://www.phoenixcontact.com/in/products/1663242>



Crimp contact, contact diameter: 4 mm, turned, Pin, contact material: Copper alloy, contact surface: silver-plated, connection cross section: 2.5 mm<sup>2</sup> ... 2.5 mm<sup>2</sup>, AWG 14

# HC-K 6/36-ESTC - Contact insert

1636376

<https://www.phoenixcontact.com/in/products/1636376>



## CK4,0-ED-4,00ST AG - Crimp contact

1663255

<https://www.phoenixcontact.com/in/products/1663255>



Crimp contact, contact diameter: 4 mm, turned, Pin, contact material: Copper alloy, contact surface: silver-plated, connection cross section: 4 mm<sup>2</sup> ... 4 mm<sup>2</sup>, AWG 12

---

## CK4,0-ED-6,00ST AG - Crimp contact

1663268

<https://www.phoenixcontact.com/in/products/1663268>



Crimp contact, contact diameter: 4 mm, turned, Pin, contact material: Copper alloy, contact surface: silver-plated, connection cross section: 6 mm<sup>2</sup> ... 6 mm<sup>2</sup>, AWG 10



# HC-K 6/36-ESTC - Contact insert

1636376

<https://www.phoenixcontact.com/in/products/1636376>



## CK4,0-ED-10,00ST AG - Crimp contact

1586198

<https://www.phoenixcontact.com/in/products/1586198>



Crimp contact, contact diameter: 4 mm, turned, Pin, contact material: Copper alloy, contact surface: silver-plated, connection cross section: 10 mm<sup>2</sup> ... 10 mm<sup>2</sup>, AWG 8

---

## CK4,0-ED-1,50M AG - Crimp contact

1274097

<https://www.phoenixcontact.com/in/products/1274097>



Crimp contact, contact diameter: 4 mm, turned, Pin, contact material: Copper alloy, lead-free, contact surface: silver-plated, connection cross section: 1.5 mm<sup>2</sup> ... 1.5 mm<sup>2</sup>, AWG 16

# HC-K 6/36-ESTC - Contact insert

1636376

<https://www.phoenixcontact.com/in/products/1636376>



## CK4,0-ED-2,50M AG - Crimp contact

1274094

<https://www.phoenixcontact.com/in/products/1274094>



Crimp contact, contact diameter: 4 mm, turned, Pin, contact material: Copper alloy, lead-free, contact surface: silver-plated, connection cross section: 2.5 mm<sup>2</sup> ... 2.5 mm<sup>2</sup>, AWG 14

---

## CK4,0-ED-4,00M AG - Crimp contact

1274093

<https://www.phoenixcontact.com/in/products/1274093>



Crimp contact, contact diameter: 4 mm, turned, Pin, contact material: Copper alloy, lead-free, contact surface: silver-plated, connection cross section: 4 mm<sup>2</sup> ... 4 mm<sup>2</sup>, AWG 12

# HC-K 6/36-ESTC - Contact insert

1636376

<https://www.phoenixcontact.com/in/products/1636376>



## CK4,0-ED-6,00M AG - Crimp contact

1274092

<https://www.phoenixcontact.com/in/products/1274092>



Crimp contact, contact diameter: 4 mm, turned, Pin, contact material: Copper alloy, lead-free, contact surface: silver-plated, connection cross section: 6 mm<sup>2</sup> ... 6 mm<sup>2</sup>, AWG 10

---

## CK4,0-ED-10,00M AG - Crimp contact

1274091

<https://www.phoenixcontact.com/in/products/1274091>



Crimp contact, contact diameter: 4 mm, turned, Pin, contact material: Copper alloy, lead-free, contact surface: silver-plated, connection cross section: 10 mm<sup>2</sup> ... 10 mm<sup>2</sup>, AWG 8

# HC-K 6/36-ESTC - Contact insert

1636376

<https://www.phoenixcontact.com/in/products/1636376>



## HC-K 6/36-EBUC - Contact insert

1636389

<https://www.phoenixcontact.com/in/products/1636389>



HEAVYCON female insert, K6/36 series, for 6 power and 36 control contacts, crimp connection

---

Phoenix Contact 2023 © - all rights reserved

<https://www.phoenixcontact.com>

PHOENIX CONTACT (I) Pvt. Ltd.

A-58/2, Okhla Industrial Area, Phase - II, New Delhi-110 020

+91.1275.71420

[info@phoenixcontact.co.in](mailto:info@phoenixcontact.co.in)