

# HC-K 6/36-EBUC - Contact insert



1636389

<https://www.phoenixcontact.com/in/products/1636389>

Please be informed that the data shown in this PDF document is generated from our Online Catalog. Please find the complete data in the user documentation. Our General Terms of Use for Downloads are valid.

HEAVYCON female insert, K6/36 series, for 6 power and 36 control contacts, crimp connection



## Commercial Data

Item number	1636389
Packing unit	1 pc
Minimum order quantity	1 pc
Sales Key	BF7
Product Key	BF7ABA
Catalog Page	Page 569 (C-2-2019)
GTIN	4046356011525
Weight per Piece (including packing)	78.8 g
Weight per Piece (excluding packing)	74 g
Customs tariff number	85366990
Country of origin	CN

# HC-K 6/36-EBUC - Contact insert



1636389

<https://www.phoenixcontact.com/in/products/1636389>

## Technical Data

### Notes

General	For HEAVYCON ADVANCE and HEAVYCON housing of type B16/B32, power contacts: CK 4,0-ED, control contacts: CK 1,6-ED (crimp contacts not supplied as standard)
General	Connectors may be operated only when there is no load/voltage.

### Mounting

Assembly instructions	To ensure correct use, installation in housing with IP54 protection or better is required
-----------------------	---

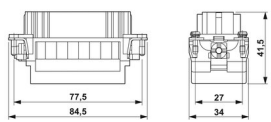
### Product properties

Type	B16 B32
Product type	Contact insert with a fixed no. of positions
Number of positions	42
Connection profile	6+36+PE
Contact numbering	1 - 6 (power contacts) 1 - 36 (control contacts)
No. of power contacts	6
No. of control contacts	36
Contact type	turned
Series	HC-K

### Insulation characteristics

Overvoltage category	III
Degree of pollution	3

### Dimensions

Dimensional drawing	
Width	34 mm
Height	41.5 mm
Length	84.5 mm
Drill hole distance, horizontal	77.5 mm

### Mechanical characteristics

Contact diameter	4 mm
------------------	------

### Electrical properties

Rated voltage (III/3)	690 V (power contacts)
-----------------------	------------------------

# HC-K 6/36-EBUC - Contact insert



1636389

<https://www.phoenixcontact.com/in/products/1636389>

	160 V (control contacts)
Rated surge voltage	8 kV (power contacts)
	2.5 kV (control contacts)
Rated current	40 A (power contacts)
	10 A (control contacts)

## Mechanical properties

### Mechanical data

Insertion/withdrawal cycles	≥ 500
-----------------------------	-------

## Material specifications

Flammability rating according to UL 94	V0
Contact material	Cu alloy
Contact carrier material	PC
Material of contact surface, power contact	Ag
Material of contact surface, control contact	Ag (alternatively Au)
Standards/regulations	PC: Fire protection in rail vehicles - requirement set R22 acc. to DIN EN 45545-2 (Risk level HL1 - HL2)
	PC: Fire protection in rail vehicles - requirement set R23 acc. to DIN EN 45545-2 (Risk level HL1 - HL3)

## Environmental and real-life conditions

### Ambient conditions

Ambient temperature (operation)	-40 °C ... 125 °C
---------------------------------	-------------------

## Standards and regulations

### Testing

Standards/regulations	PC: Fire protection in rail vehicles - requirement set R22 acc. to DIN EN 45545-2 (Risk level HL1 - HL2)
	PC: Fire protection in rail vehicles - requirement set R23 acc. to DIN EN 45545-2 (Risk level HL1 - HL3)

# HC-K 6/36-EBUC - Contact insert

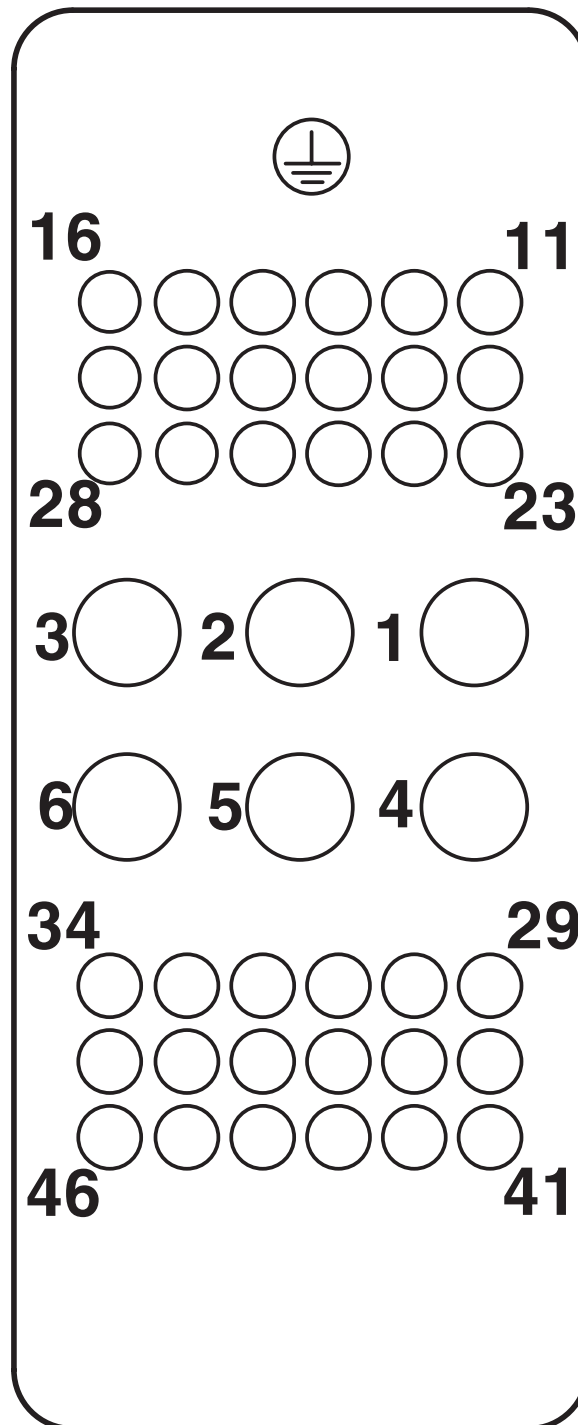
1636389

<https://www.phoenixcontact.com/in/products/1636389>



## Drawings

Schematic diagram



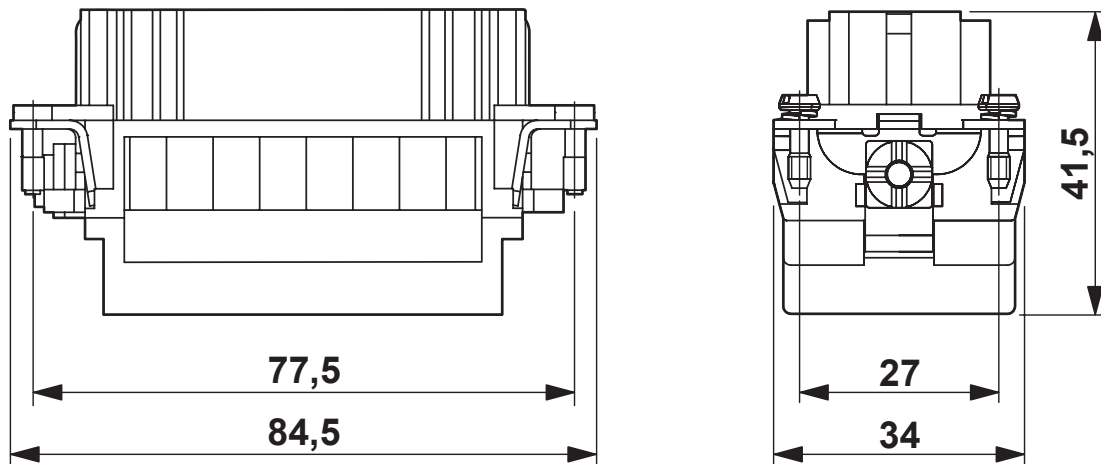
Connector pin assignment, connection side

# HC-K 6/36-EBUC - Contact insert

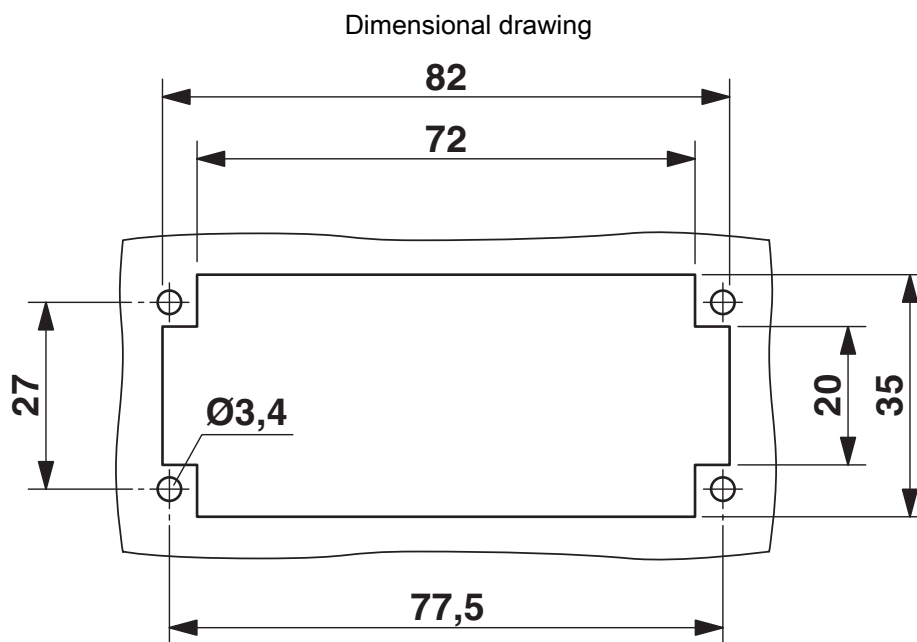
1636389

<https://www.phoenixcontact.com/in/products/1636389>

Dimensional drawing



Dimensional drawing



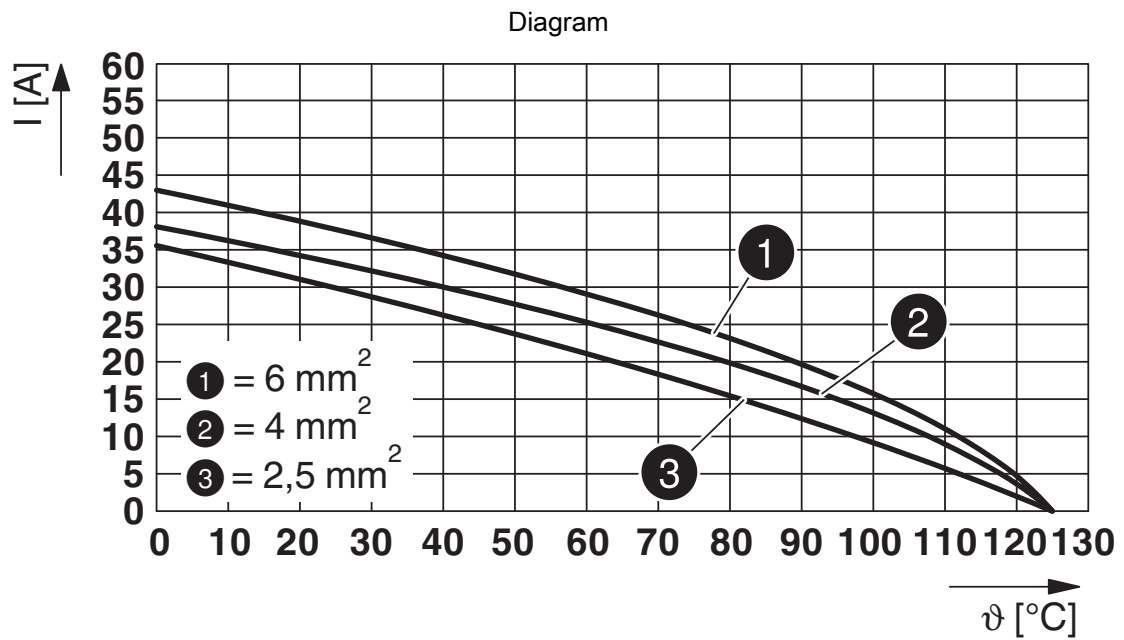
Mounting cutout when used without housing

# HC-K 6/36-EBUC - Contact insert



1636389

<https://www.phoenixcontact.com/in/products/1636389>



Derating diagram


# HC-K 6/36-EBUC - Contact insert




1636389

<https://www.phoenixcontact.com/in/products/1636389>

## Approvals

 <b>UL Recognized</b> Approval ID: E118976				
	Nominal Voltage $U_N$	Nominal Current $I_N$	Cross Section AWG	Cross Section $\text{mm}^2$
	600 V	40 A	- 10	-
	600 V	10 A	14	-

 <b>EAC</b> Approval ID: RU C-DE.BL08.B.00511	
---	--

# HC-K 6/36-EBUC - Contact insert



1636389

<https://www.phoenixcontact.com/in/products/1636389>

## Classifications

### ECLASS

ECLASS-11.0	27440205
ECLASS-12.0	27440205
ECLASS-13.0	27440205

### ETIM

ETIM 8.0	EC000438
----------	----------

### UNSPSC

UNSPSC 21.0	39121500
-------------	----------



# HC-K 6/36-EBUC - Contact insert



1636389

<https://www.phoenixcontact.com/in/products/1636389>

## Environmental Product Compliance

China RoHS	Environmentally friendly use period: unlimited = EFUP-e
	No hazardous substances above threshold values

# HC-K 6/36-EBUC - Contact insert

1636389

<https://www.phoenixcontact.com/in/products/1636389>



## Accessories

### HC-CP-CK1.6-PL - Coding element

1095422

<https://www.phoenixcontact.com/in/products/1095422>

Coding element for HC-D and HC-DD contact inserts with pole loss. Installed in the socket contact chamber.



---

### HC-CB - Coding bolt

1772722

<https://www.phoenixcontact.com/in/products/1772722>

Coding pin, prevents mismatching of up to six connectors with an identical number of positions



## HC-K 6/36-EBUC - Contact insert

1636389

<https://www.phoenixcontact.com/in/products/1636389>



## HC-CST - Coding element

1676857

<https://www.phoenixcontact.com/in/products/1676857>



Coding peg for coding up to 16 connectors

---

## HC-CBU - Coding element

1676860

<https://www.phoenixcontact.com/in/products/1676860>



Coding socket for coding up to 16 connectors

## HC-K 6/36-EBUC - Contact insert

1636389

<https://www.phoenixcontact.com/in/products/1636389>



## CRIMPFOX-TC 10 - Crimping pliers

1212114

<https://www.phoenixcontact.com/in/products/1212114>



**Crimping pliers**, for turned contacts with a pin diameter of 4.0 mm, two marked die stations, pressure lock can be released, lateral entry, incl. positioning help

---

## UNIFOX MT-CK 1.6/2.5 - Assembly tool

1089092

<https://www.phoenixcontact.com/in/products/1089092>



Assembly tool, for CK 1.6... crimp contacts for small conductor cross sections

# HC-K 6/36-EBUC - Contact insert

1636389

<https://www.phoenixcontact.com/in/products/1636389>



## UNIFOX RT-CK 1.6 - Contact removal tool

1072069

<https://www.phoenixcontact.com/in/products/1072069>



Contact removal tool, for turned and rolled CK- 1.6-... contacts

---

## UNIFOX RT-CK 4.0 - Contact removal tool

1072064

<https://www.phoenixcontact.com/in/products/1072064>



Contact removal tool, for rotated CK-4,0-... contacts

## HC-K 6/36-EBUC - Contact insert

1636389

<https://www.phoenixcontact.com/in/products/1636389>



### CK1,6-ED-0,37BU AG - Crimp contact

1663394

<https://www.phoenixcontact.com/in/products/1663394>



Crimp contact, contact diameter: 1.6 mm, turned, Socket, contact material: Copper alloy, contact surface: silver-plated, connection cross section: 0.14 mm<sup>2</sup> ... 0.37 mm<sup>2</sup>, AWG 26 ... 22

---

### CK1,6-ED-0,50BU AG - Crimp contact

1663404

<https://www.phoenixcontact.com/in/products/1663404>



Crimp contact, contact diameter: 1.6 mm, turned, Socket, contact material: Copper alloy, contact surface: silver-plated, connection cross section: 0.5 mm<sup>2</sup> ... 0.5 mm<sup>2</sup>, AWG 20

## HC-K 6/36-EBUC - Contact insert

1636389

<https://www.phoenixcontact.com/in/products/1636389>



### CK1,6-ED-0,75BU AG - Crimp contact

1663417

<https://www.phoenixcontact.com/in/products/1663417>



Crimp contact, contact diameter: 1.6 mm, turned, Socket, contact material: Copper alloy, contact surface: silver-plated, connection cross section: 0.75 mm<sup>2</sup> ... 0.75 mm<sup>2</sup>, AWG 18

---

### CK1,6-ED-1,00BU AG - Crimp contact

1663420

<https://www.phoenixcontact.com/in/products/1663420>



Crimp contact, contact diameter: 1.6 mm, turned, Socket, contact material: Copper alloy, contact surface: silver-plated, connection cross section: 1 mm<sup>2</sup> ... 1 mm<sup>2</sup>, AWG 18

## HC-K 6/36-EBUC - Contact insert

1636389

<https://www.phoenixcontact.com/in/products/1636389>



### CK1,6-ED-1,50BU AG - Crimp contact

1663433

<https://www.phoenixcontact.com/in/products/1663433>



Crimp contact, contact diameter: 1.6 mm, turned, Socket, contact material: Copper alloy, contact surface: silver-plated, connection cross section: 1.5 mm<sup>2</sup> ... 1.5 mm<sup>2</sup>, AWG 16

---

### CK1,6-ED-2,50BU AG - Crimp contact

1663446

<https://www.phoenixcontact.com/in/products/1663446>



Crimp contact, contact diameter: 1.6 mm, turned, Socket, contact material: Copper alloy, contact surface: silver-plated, connection cross section: 2.5 mm<sup>2</sup> ... 2.5 mm<sup>2</sup>, AWG 14



# HC-K 6/36-EBUC - Contact insert

1636389

<https://www.phoenixcontact.com/in/products/1636389>



## CK1,6-ED-BU-POF - Female contact

1885004

<https://www.phoenixcontact.com/in/products/1885004>



POF fiber optic socket contact, turned, for contact carriers (HC-DD...I-CT.../ HC-M-12-CT-F.../ HC-M-17-CT-F...) of CK1,6-ED... contacts

---

## CK1,6-ED-0,37F AG - Crimp contact

1266249

<https://www.phoenixcontact.com/in/products/1266249>



Crimp contact, contact diameter: 1.6 mm, turned, Socket, contact material: Copper alloy, lead-free, contact surface: silver-plated, connection cross section: 0.14 mm<sup>2</sup> ... 0.34 mm<sup>2</sup>, AWG 24 ... 22

# HC-K 6/36-EBUC - Contact insert

1636389

<https://www.phoenixcontact.com/in/products/1636389>



## CK1,6-ED-0,50F AG - Crimp contact

1266252

<https://www.phoenixcontact.com/in/products/1266252>



Crimp contact, contact diameter: 1.6 mm, turned, Socket, contact material: Copper alloy, lead-free, contact surface: silver-plated, connection cross section: 0.5 mm<sup>2</sup> ... 0.5 mm<sup>2</sup>, AWG 20

---

## CK1,6-ED-0,75F AG - Crimp contact

1266259

<https://www.phoenixcontact.com/in/products/1266259>



Crimp contact, contact diameter: 1.6 mm, turned, Socket, contact material: Copper alloy, lead-free, contact surface: silver-plated, connection cross section: 0.75 mm<sup>2</sup> ... 0.75 mm<sup>2</sup>, AWG 18

# HC-K 6/36-EBUC - Contact insert

1636389

<https://www.phoenixcontact.com/in/products/1636389>



## CK1,6-ED-1,00F AG - Crimp contact

1266296

<https://www.phoenixcontact.com/in/products/1266296>



Crimp contact, contact diameter: 1.6 mm, turned, Socket, contact material: Copper alloy, lead-free, contact surface: silver-plated, connection cross section: 1 mm<sup>2</sup> ... 1 mm<sup>2</sup>, AWG 18

---

## CK1,6-ED-1,50F AG - Crimp contact

1266263

<https://www.phoenixcontact.com/in/products/1266263>



Crimp contact, contact diameter: 1.6 mm, turned, Socket, contact material: Copper alloy, lead-free, contact surface: silver-plated, connection cross section: 1.5 mm<sup>2</sup> ... 1.5 mm<sup>2</sup>, AWG 16

## HC-K 6/36-EBUC - Contact insert

1636389

<https://www.phoenixcontact.com/in/products/1636389>



### CK1,6-ED-2,50F AG - Crimp contact

1266295

<https://www.phoenixcontact.com/in/products/1266295>



Crimp contact, contact diameter: 1.6 mm, turned, Socket, contact material: Copper alloy, lead-free, contact surface: silver-plated, connection cross section: 2.5 mm<sup>2</sup> ... 2.5 mm<sup>2</sup>, AWG 14

---

### CK1,6-ED-0,37BU AU - Crimp contact

1674969

<https://www.phoenixcontact.com/in/products/1674969>



Crimp contact, contact diameter: 1.6 mm, turned, Socket, contact material: Copper alloy, contact surface: gold-plated, connection cross section: 0.14 mm<sup>2</sup> ... 0.37 mm<sup>2</sup>, AWG 24 ... 22

## HC-K 6/36-EBUC - Contact insert

1636389

<https://www.phoenixcontact.com/in/products/1636389>



### CK1,6-ED-0,50BU AU - Crimp contact

1674480

<https://www.phoenixcontact.com/in/products/1674480>



Crimp contact, contact diameter: 1.6 mm, turned, Socket, contact material: Copper alloy, contact surface: gold-plated, connection cross section: 0.5 mm<sup>2</sup> ... 0.5 mm<sup>2</sup>, AWG 20

---

### CK1,6-ED-0,75BU AU - Crimp contact

1672440

<https://www.phoenixcontact.com/in/products/1672440>



Crimp contact, contact diameter: 1.6 mm, turned, Socket, contact material: Copper alloy, contact surface: gold-plated, connection cross section: 0.75 mm<sup>2</sup> ... 0.75 mm<sup>2</sup>, AWG 18

## HC-K 6/36-EBUC - Contact insert

1636389

<https://www.phoenixcontact.com/in/products/1636389>



### CK1,6-ED-1,00BU AU - Crimp contact

1674943

<https://www.phoenixcontact.com/in/products/1674943>



Crimp contact, contact diameter: 1.6 mm, turned, Socket, contact material: Copper alloy, contact surface: gold-plated, connection cross section: 1 mm<sup>2</sup> ... 1 mm<sup>2</sup>, AWG 18

---

### CK1,6-ED-1,50BU AU - Crimp contact

1674930

<https://www.phoenixcontact.com/in/products/1674930>



Crimp contact, contact diameter: 1.6 mm, turned, Socket, contact material: Copper alloy, contact surface: gold-plated, connection cross section: 1.5 mm<sup>2</sup> ... 1.5 mm<sup>2</sup>, AWG 16

## HC-K 6/36-EBUC - Contact insert

1636389

<https://www.phoenixcontact.com/in/products/1636389>



## CK1,6-ED-2,50BU AU - Crimp contact

1674985

<https://www.phoenixcontact.com/in/products/1674985>



Crimp contact, contact diameter: 1.6 mm, turned, Socket, contact material: Copper alloy, contact surface: gold-plated, connection cross section: 2.5 mm<sup>2</sup> ... 2.5 mm<sup>2</sup>, AWG 14

---

## CK4,0-ED-1,50BU AG - Crimp contact

1663271

<https://www.phoenixcontact.com/in/products/1663271>



Crimp contact, contact diameter: 4 mm, turned, Socket, contact material: Copper alloy, contact surface: silver-plated, connection cross section: 1.5 mm<sup>2</sup> ... 1.5 mm<sup>2</sup>, AWG 16

## HC-K 6/36-EBUC - Contact insert

1636389

<https://www.phoenixcontact.com/in/products/1636389>



## CK4,0-ED-2,50BU AG - Crimp contact

1663284

<https://www.phoenixcontact.com/in/products/1663284>



Crimp contact, contact diameter: 4 mm, turned, Socket, contact material: Copper alloy, contact surface: silver-plated, connection cross section: 2.5 mm<sup>2</sup> ... 2.5 mm<sup>2</sup>, AWG 14

---

## CK4,0-ED-4,00BU AG - Crimp contact

1663297

<https://www.phoenixcontact.com/in/products/1663297>



Crimp contact, contact diameter: 4 mm, turned, Socket, contact material: Copper alloy, contact surface: silver-plated, connection cross section: 4 mm<sup>2</sup> ... 4 mm<sup>2</sup>, AWG 12



## HC-K 6/36-EBUC - Contact insert

1636389

<https://www.phoenixcontact.com/in/products/1636389>



### CK4,0-ED-6,00BU AG - Crimp contact

1663307

<https://www.phoenixcontact.com/in/products/1663307>



Crimp contact, contact diameter: 4 mm, turned, Socket, contact material: Copper alloy, contact surface: silver-plated, connection cross section: 6 mm<sup>2</sup> ... 6 mm<sup>2</sup>, AWG 10

---

### CK4,0-ED-10,00BU AG - Crimp contact

1586183

<https://www.phoenixcontact.com/in/products/1586183>



Crimp contact, contact diameter: 4 mm, turned, Socket, contact material: Copper alloy, contact surface: silver-plated, connection cross section: 10 mm<sup>2</sup> ... 10 mm<sup>2</sup>, AWG 8

# HC-K 6/36-EBUC - Contact insert

1636389

<https://www.phoenixcontact.com/in/products/1636389>



## CK4,0-ED-1,50F AG - Crimp contact

1274089

<https://www.phoenixcontact.com/in/products/1274089>



Crimp contact, contact diameter: 4 mm, turned, Socket, contact material: Copper alloy, lead-free, contact surface: silver-plated, connection cross section: 1.5 mm<sup>2</sup> ... 1.5 mm<sup>2</sup>, AWG 16

---

## CK4,0-ED-2,50F AG - Crimp contact

1274088

<https://www.phoenixcontact.com/in/products/1274088>



Crimp contact, contact diameter: 4 mm, turned, Socket, contact material: Copper alloy, lead-free, contact surface: silver-plated, connection cross section: 2.5 mm<sup>2</sup> ... 2.5 mm<sup>2</sup>, AWG 14

# HC-K 6/36-EBUC - Contact insert

1636389

<https://www.phoenixcontact.com/in/products/1636389>



## CK4,0-ED-4,00F AG - Crimp contact

1274087

<https://www.phoenixcontact.com/in/products/1274087>



Crimp contact, contact diameter: 4 mm, turned, Socket, contact material: Copper alloy, lead-free, contact surface: silver-plated, connection cross section: 4 mm<sup>2</sup> ... 4 mm<sup>2</sup>, AWG 12

---

## CK4,0-ED-6,00F AG - Crimp contact

1274086

<https://www.phoenixcontact.com/in/products/1274086>



Crimp contact, contact diameter: 4 mm, turned, Socket, contact material: Copper alloy, lead-free, contact surface: silver-plated, connection cross section: 6 mm<sup>2</sup> ... 6 mm<sup>2</sup>, AWG 10

## HC-K 6/36-EBUC - Contact insert

1636389

<https://www.phoenixcontact.com/in/products/1636389>



## CK4,0-ED-10,00F AG - Crimp contact

1274085

<https://www.phoenixcontact.com/in/products/1274085>



Crimp contact, contact diameter: 4 mm, turned, Socket, contact material: Copper alloy, lead-free, contact surface: silver-plated, connection cross section: 10 mm<sup>2</sup> ... 10 mm<sup>2</sup>, AWG 8

---

## HC-K 6/36-ESTC - Contact insert

1636376

<https://www.phoenixcontact.com/in/products/1636376>



HEAVYCON male insert, K6/36 series, for 6 power and 36 control contacts, crimp connection

---

Phoenix Contact 2023 © - all rights reserved

<https://www.phoenixcontact.com>

PHOENIX CONTACT (I) Pvt. Ltd.

A-58/2, Okhla Industrial Area, Phase - II, New Delhi-110 020

+91.1275.71420

[info@phoenixcontact.co.in](mailto:info@phoenixcontact.co.in)