

HC-A03-I-UT-M - Contact insert



1585210

<https://www.phoenixcontact.com/in/products/1585210>

Please be informed that the data shown in this PDF document is generated from our Online Catalog. Please find the complete data in the user documentation. Our General Terms of Use for Downloads are valid.



Contact insert, number of positions: 3+PE, size: D7, number of connections per position: 1, Pin, Screw connection, 230 V/400 V, 10 A, 0.5 mm² ... 2.5 mm²

Product Description

Contact insert
without wire protection, with IP65 sealing screw

Commercial Data

Item number	1585210
Packing unit	1 pc
Minimum order quantity	1 pc
Sales Key	BF7
Product Key	BF7ABJ
Catalog Page	Page 505 (C-2-2019)
GTIN	4046356284943
Weight per Piece (including packing)	15.95 g
Weight per Piece (excluding packing)	14.3 g
Customs tariff number	85366990
Country of origin	CN

HC-A03-I-UT-M - Contact insert

1585210

<https://www.phoenixcontact.com/in/products/1585210>

Technical Data

Notes

General	for housing HC-D7
General	Connectors may be operated only when there is no load/voltage.

Mounting

Assembly instructions	To ensure correct use, installation in housing with IP54 protection or better is required
	Already includes one IP65 sealing screw

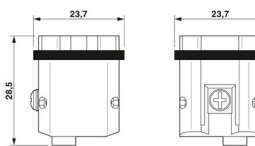
Product properties

Type	D7
Product type	Contact insert with a fixed no. of positions
Number of positions	3
Connection profile	3+PE
Contact numbering	1 - 3
Number of connections per position	1
Contact type	turned
Series	HC-A
Screwdriver blade	0.4 x 2.5 mm

Insulation characteristics

Overvoltage category	III
Degree of pollution	3

Dimensions

Dimensional drawing	
Width	21 mm
Height	28.5 mm
Length	21 mm

Mechanical characteristics

Contact diameter	1.6 mm
------------------	--------

Electrical properties

Rated voltage (III/2) contacts	415 V (Conductor-PE)
	690 V (Conductor-Conductor)
Rated voltage (III/3)	230 V (Conductor-PE)
	400 V (Conductor-Conductor)
Rated voltage for power contacts	230/400 V

HC-A03-I-UT-M - Contact insert



1585210

<https://www.phoenixcontact.com/in/products/1585210>

Rated surge voltage	4 kV
	4 kV
Rated current	10 A
SCCR	5 kA (UL 2237)

Mechanical properties

Mechanical data

Insertion/withdrawal cycles	≥ 500
-----------------------------	-------

Material specifications

Flammability rating according to UL 94	V0
Seal material Profile gasket	NBR, conductive
Contact material	Copper alloy
Contact surface material	Ag
Contact carrier material	PC
Standards/regulations	PC: Fire protection in rail vehicles - requirement sets R22, R23, and R24 acc. to DIN EN 45545-2 (Risk level HL1 - HL3)

Environmental and real-life conditions

Ambient conditions

Ambient temperature (operation)	-40 °C ... 125 °C (including heating up of contacts)
---------------------------------	--

Standards and regulations

Testing

Standards/regulations	PC: Fire protection in rail vehicles - requirement sets R22, R23, and R24 acc. to DIN EN 45545-2 (Risk level HL1 - HL3)
-----------------------	---

HC-A03-I-UT-M - Contact insert

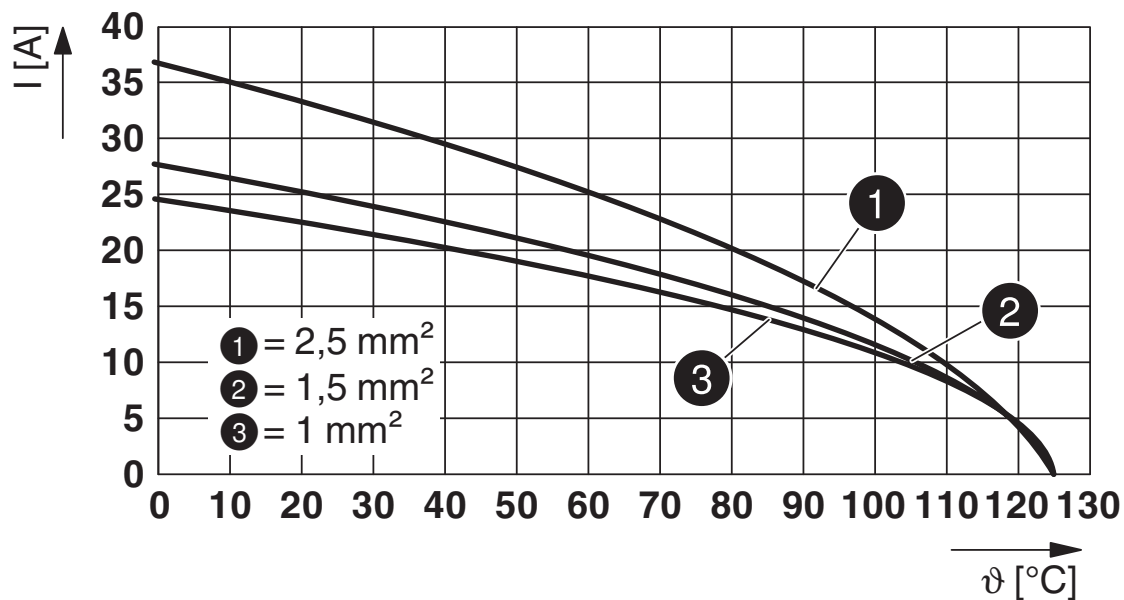


1585210

<https://www.phoenixcontact.com/in/products/1585210>

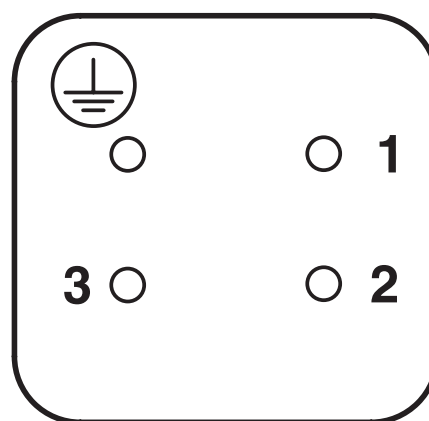
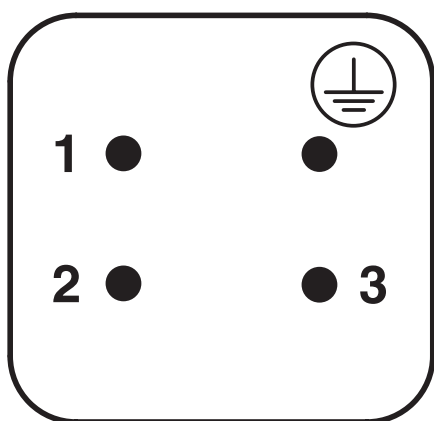
Drawings

Diagram



Derating diagram

Schematic diagram



Connector pin assignment connection side: Left pin; right socket

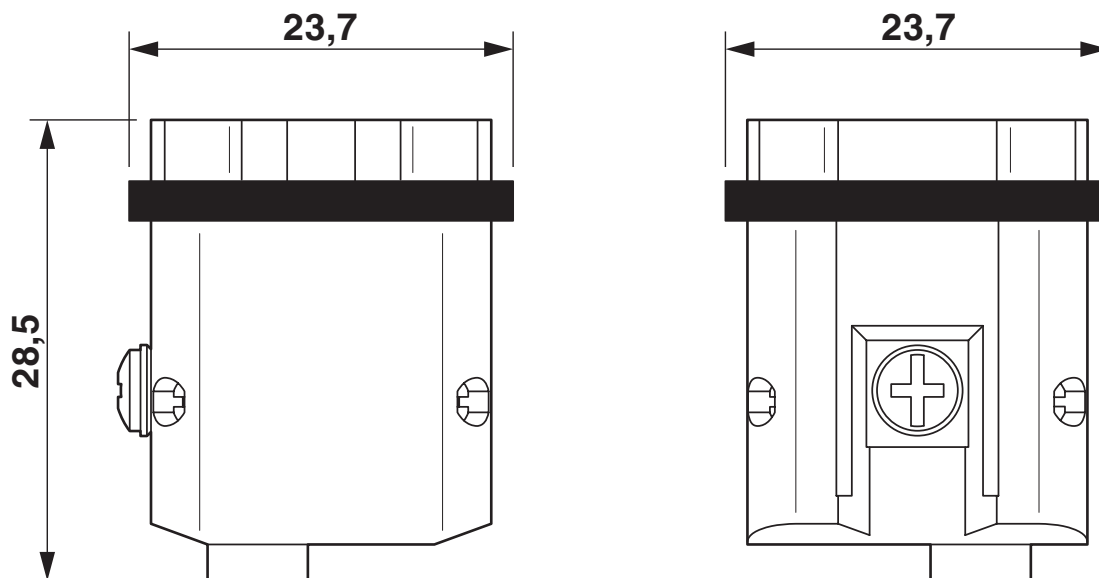
HC-A03-I-UT-M - Contact insert

1585210

<https://www.phoenixcontact.com/in/products/1585210>



Dimensional drawing



Male insert

HC-A03-I-UT-M - Contact insert




1585210

<https://www.phoenixcontact.com/in/products/1585210>

Approvals

 CSA Approval ID: 13631	Nominal Voltage U_N	Nominal Current I_N	Cross Section AWG	Cross Section mm^2
	600 V	18 A	- 14	-

 UL Recognized Approval ID: E118976	Nominal Voltage U_N	Nominal Current I_N	Cross Section AWG	Cross Section mm^2
	600 V	24 A	-	-

 EAC Approval ID: RU C-DE.AI30.B.01102

 UL Recognized Approval ID: E468743	Nominal Voltage U_N	Nominal Current I_N	Cross Section AWG	Cross Section mm^2
	600 V	24 A	-	-

 EAC Approval ID: RU C-DE.BL08.B.00511

HC-A03-I-UT-M - Contact insert



1585210

<https://www.phoenixcontact.com/in/products/1585210>

Classifications

ECLASS

ECLASS-11.0	27440205
ECLASS-12.0	27440205
ECLASS-13.0	27440205

ETIM

ETIM 8.0	EC000438
----------	----------

UNSPSC

UNSPSC 21.0	39121500
-------------	----------

HC-A03-I-UT-M - Contact insert



1585210

<https://www.phoenixcontact.com/in/products/1585210>

Environmental Product Compliance

REACH SVHC	Lead 7439-92-1
China RoHS	Environmentally Friendly Use Period = 50 years
	For information on hazardous substances, refer to the manufacturer's declaration available under "Downloads"

HC-A03-I-UT-M - Contact insert

1585210

<https://www.phoenixcontact.com/in/products/1585210>



Accessories

HC-CP-D07-PL - Coding element

1095413

<https://www.phoenixcontact.com/in/products/1095413>

Coding element for HC-D07 contact inserts of the HC-A03... / HC-A04... / HC-Q03... / HC-Q04... / HC-Q07... series



HC-D07-SP-RBK - Profile gasket

1419622

<https://www.phoenixcontact.com/in/products/1419622>

Profile gasket, design: D7, for pin inserts



HC-A03-I-UT-M - Contact insert

1585210

<https://www.phoenixcontact.com/in/products/1585210>



HC-D 7-DS-IP65 - Sealing screw

1686229

<https://www.phoenixcontact.com/in/products/1686229>



Sealing screw, size: Countersunk head, IP67, replacement part for D7 size HEAVYCON housing

HC-A03-I-UT-F - Contact insert

1585223

<https://www.phoenixcontact.com/in/products/1585223>



Contact insert, number of positions: 3+PE, size: D7, number of connections per position: 1, Socket, Screw connection, 230 V/400 V, 10 A, 0.5 mm² ... 2.5 mm²

Phoenix Contact 2023 © - all rights reserved
<https://www.phoenixcontact.com>

PHOENIX CONTACT (I) Pvt. Ltd.
A-58/2, Okhla Industrial Area, Phase - II, New Delhi-110 020

+91.1275.71420
info@phoenixcontact.co.in