

CK1,6-ED-1,00BU AG - Crimp contact



1663420

<https://www.phoenixcontact.com/in/products/1663420>

Please be informed that the data shown in this PDF document is generated from our Online Catalog. Please find the complete data in the user documentation. Our General Terms of Use for Downloads are valid.



Crimp contact, contact diameter: 1.6 mm, turned, Socket, contact material: Copper alloy, contact surface: silver-plated, connection cross section: 1 mm² ... 1 mm², AWG 18

Commercial Data

| | |
|--------------------------------------|---------------------|
| Item number | 1663420 |
| Packing unit | 100 pc |
| Minimum order quantity | 100 pc |
| Sales Key | BF7 |
| Product Key | BF7AIA |
| Catalog Page | Page 507 (C-2-2019) |
| GTIN | 4017918123239 |
| Weight per Piece (including packing) | 0.67 g |
| Weight per Piece (excluding packing) | 0.66 g |
| Customs tariff number | 85366990 |
| Country of origin | DE |

CK1,6-ED-1,00BU AG - Crimp contact



1663420

<https://www.phoenixcontact.com/in/products/1663420>

Technical Data

Notes

| | |
|---------|--|
| General | for HC-M-12, HC-M-17, HC-M-03/04, HC-M-EMV, HC-D, HC-DD, HC-Q, and VC-D contact carriers |
|---------|--|

Mounting

| | |
|-----------------------|---|
| Assembly instructions | At voltages of < 5 V and currents < 5 mA, gold-plated contacts are recommended. |
| | The quality of a crimp connection is determined by DIN EN 60352-2. |

Product properties

| | |
|--------------|---------------------------|
| Product type | Crimp contact |
| Type | Individual female contact |
| Contact type | turned |
| Series | HC-M-12 |
| | HC-M-EMV |
| | HC-D |
| | HC-DD |
| | VC-D |
| | HC-M-03/04 |
| | HC-M-17 |
| | HC-K |
| | HC-Q |
| | HC-COM |
| HC-M-42 | |

Connection data

| | |
|---|---|
| Connection method | Crimp connection |
| Type of contact | Socket |
| Connection technology | Crimp connection |
| Conductor cross section | 1 mm ² ... 1 mm ² |
| Connection cross section AWG | 18 |
| Stripping length of the individual wire | 8 mm |

Material specifications

| | |
|--------------------------|---------------|
| Contact material | Copper alloy |
| Contact surface material | silver-plated |

Dimensions

Mechanical characteristics

| | |
|------------------|--------|
| Contact diameter | 1.6 mm |
|------------------|--------|

CK1,6-ED-1,00BU AG - Crimp contact



1663420

<https://www.phoenixcontact.com/in/products/1663420>

Mechanical properties

Mechanical data

| | |
|-----------------------------|-------|
| Insertion/withdrawal cycles | ≥ 500 |
|-----------------------------|-------|

Environmental and real-life conditions

Ambient conditions

| | |
|---------------------------------|-------------------|
| Ambient temperature (operation) | -40 °C ... 125 °C |
|---------------------------------|-------------------|

CK1,6-ED-1,00BU AG - Crimp contact

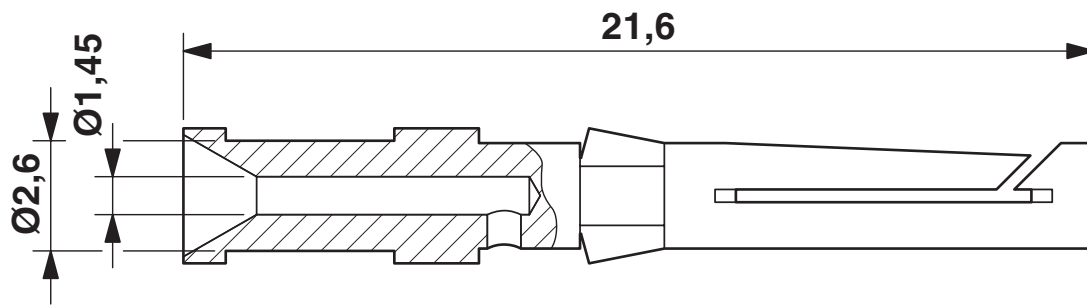


1663420

<https://www.phoenixcontact.com/in/products/1663420>

Drawings

Dimensional drawing



Dimensional drawing

CK1,6-ED-1,00BU AG - Crimp contact



1663420

<https://www.phoenixcontact.com/in/products/1663420>

Approvals



EAC

Approval ID: RU C-DE.AI30.B.01102



EAC

Approval ID: EAC-Zulassung

CK1,6-ED-1,00BU AG - Crimp contact



1663420

<https://www.phoenixcontact.com/in/products/1663420>

Classifications

ECLASS

| | |
|-------------|----------|
| ECLASS-11.0 | 27440204 |
| ECLASS-12.0 | 27440204 |
| ECLASS-13.0 | 27440204 |

ETIM

| | |
|----------|----------|
| ETIM 8.0 | EC000796 |
|----------|----------|

UNSPSC

| | |
|-------------|----------|
| UNSPSC 21.0 | 39121500 |
|-------------|----------|

CK1,6-ED-1,00BU AG - Crimp contact



1663420

<https://www.phoenixcontact.com/in/products/1663420>

Environmental Product Compliance

| | |
|------------|--|
| REACH SVHC | Lead 7439-92-1 |
| China RoHS | Environmentally Friendly Use Period = 50 years |
| | For information on hazardous substances, refer to the manufacturer's declaration available under "Downloads" |

CK1,6-ED-1,00BU AG - Crimp contact



1663420

<https://www.phoenixcontact.com/in/products/1663420>

Accessories

CRIMPFOX-TC MP-6 - Crimping pliers with digital display

1202888

<https://www.phoenixcontact.com/in/products/1202888>



Crimping tool, for turned contacts, universal cross-section setting, up to a maximum of 6.0 mm², digital display with 0.01 mm increments, pressure lock can be unlocked, positioning tool necessary as an accessory for contact positioning

CRIMPFOX-TC HC 4 - Crimping pliers

1297083

<https://www.phoenixcontact.com/in/products/1297083>



Crimping pliers, for CK 1,6-ED..., CK 2,5-ED..., CK 4,0-ED... turned contacts, 4 marked die stations, unlockable pressure lock, lateral entry, incl. positioning tool

CK1,6-ED-1,00BU AG - Crimp contact

1663420

<https://www.phoenixcontact.com/in/products/1663420>



UNIFOX RT-CK 1.6 - Contact removal tool

1072069

<https://www.phoenixcontact.com/in/products/1072069>



Contact removal tool, for turned and rolled CK- 1.6-... contacts

UNIFOX MT-CK 1.6/2.5 - Assembly tool

1089092

<https://www.phoenixcontact.com/in/products/1089092>



Assembly tool, for CK 1.6... crimp contacts for small conductor cross sections

CK1,6-ED-1,00BU AG - Crimp contact

1663420

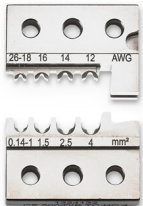
<https://www.phoenixcontact.com/in/products/1663420>



CF 500/DIE TC HC 4 - Crimp insert

1324132

<https://www.phoenixcontact.com/in/products/1324132>



Die for CF 500 crimping device, CK 1,6-ED..., CK 2,5-ED..., CK 4,0-ED... turned contacts, 4 marked die stations

CK1,6-ED-1,00ST AG - Crimp contact

1663365

<https://www.phoenixcontact.com/in/products/1663365>



Crimp contact, contact diameter: 1.6 mm, turned, Pin, contact material: Copper alloy, contact surface: silver-plated, connection cross section: 1 mm² ... 1 mm², AWG 18

Phoenix Contact 2023 © - all rights reserved
<https://www.phoenixcontact.com>

PHOENIX CONTACT (I) Pvt. Ltd.
A-58/2, Okhla Industrial Area, Phase - II, New Delhi-110 020

+91.1275.71420
info@phoenixcontact.co.in