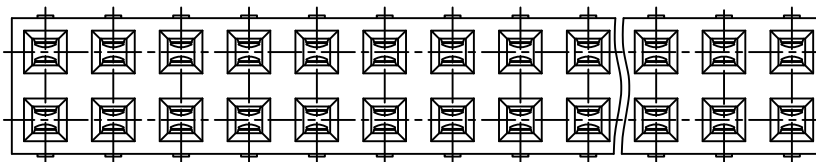


PRODUCT NUMBER

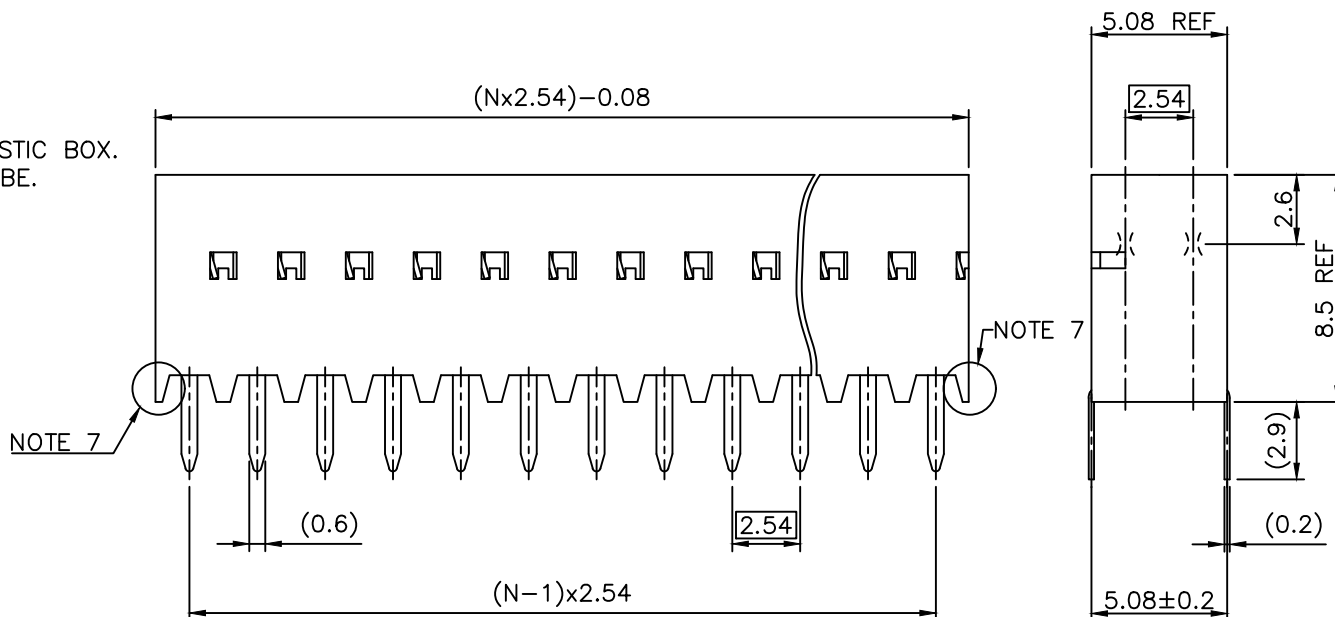
89891-YXXXLF

- RoHS COMPATIBLE, SEE NOTE 6
- OPTIONAL LETTER
H: HIGH TEMPERATURE PRODUCT.
- NUMBER OF POSITIONS PER ROW : 02 TO 50.
- PLATING CODE
3= 0.76µm GOLD ON CONTACT AREA.
2µm MIN MATTE TIN ON TAIL.
4= 2µm MIN MATTE TIN FULL PLATED
1.27µm Ni MIN UNDERPLATING

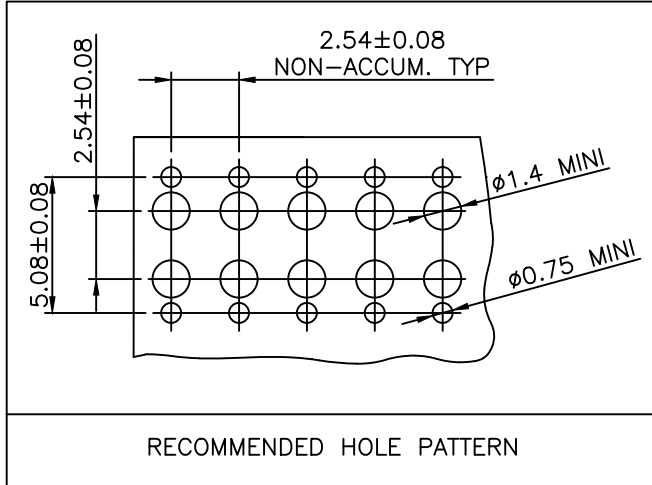


NOTES:

- 1 - HOUSING MAT'L: THERMOPLASTIC GLASS FILLED FLAME RETARDANT PER UL 94 V-0
LOW TEMPERATURE: COLOR BLUE
HIGH TEMPERATURE: COLOR GREY.
- 2 - TERMINAL MATERIAL: PHOSPHOR BRONZE.
- 3 - 2 UP TO 4 POSITIONS PRODUCT PACKED IN PLASTIC BOX.
5 UP TO 50 POSITIONS PRODUCT PACKED IN TUBE.
- 4 - TO DETERMINE DIMENSIONS:
N = NUMBER OF POSITIONS
EXAMPLE: 8 POS: $(N \times 2.54) - 0.08 = 20.24$ mm
- 5 - HE13 PRINTING ON 89891-3XX PRODUCT.
- 6 - RoHS COMPATIBLE PRODUCT SPECIFICATIONS
 - a - PLATING:
- "LF" MEANS THE PRODUCT IS LEAD-FREE, 2µm MINIMUM MATTE TIN OVER 1.27µm MINIMUM NICKEL UNDERPLATE.
 - b - MANUFACTURING PROCESS COMPATIBILITY
- THE HOUSING WILL WITHSTAND EXPOSURE TO 260°C ±5°C SOLDER BATH TEMPERATURE FOR 5 SECONDS IN A WAVE SOLDER APPLICATION WITH A 1.6mm MIN THICK CIRCUIT BOARD.
 - c - LABELING:
- MEETS PACKAGING SPECS AS PER GS-14-920
 - d - LEGAL STATEMENT: SEE GS-47-0004
- 7 - END STAND-OFFS FOR 2x2 UP TO 2X4 POS
NO END STAND-OFFS FOR 2x5 UP TO 2x50 POS



mat'l. code				surface		tolerance		projection		product family	
SEE NOTE 1				ISO 1302		ISO 406 ISO 1101		DUBOX		DUBOX	
ltr	ecp no	dr	date	tolerances unless otherwise specified			mm		title		
N	F-45443	LMU	22.07.21	±0.3			mm		BtB RECEPT.		
P	F-45490	LMU	22.07.26	linear			scale 5:1		VERT DR TMT		
				±2'					dwg no		
J	F06-0204	DLE	06.06.21	dr	D	LEGRAND	04.09.23			sheet 1 of 2	
K	F07-0156	DLE	07.03.16	enfr	P	NIZZI	04.09.23			size	
L	B-19123	LMU	14.10.21	chr	D	LE	04.09.23			89891	
M	F-28430	DDE	17.11.09	appd	P	NZ	04.09.23			A3	
sheet		revision	P	D					type		
index		sheet	1	2					CUSTOMER Drawing		



Copyright FCI

mat'l. code SEE SHEET 1				surface ISO 1302 <input checked="" type="checkbox"/>		tolerance ISO 406 ISO 1101		projection 		product family DUBOX	
Ltr				ecn no		dr		date		title	
A				F04-0347		DLE		04.09.23		BtB RECEPT. VERT DR TMT	
B				F05-0230		DLE		05.08.08			
C				F06-0204		DLE		06.06.21			
D				F07-0156		DLE		07.03.16			
D				F07-0156		DLE		07.03.16		D LEGRAND 04.09.23	
										dwg no sheet 2 of 2 size	
										89891 A4	
										type CUSTOMER Drawing	
sheet index		revision sheet									