

GW PL HART4-BUS - Protocol converter



2702234

<https://www.phoenixcontact.com/in/products/2702234>

Please be informed that the data shown in this PDF document is generated from our Online Catalog. Please find the complete data in the user documentation. Our General Terms of Use for Downloads are valid.

Four-channel HART[®] expansion module, with screw connection

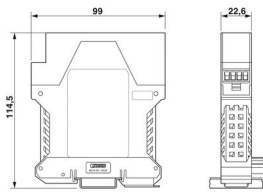


Commercial Data

Item number	2702234
Packing unit	1 pc
Minimum order quantity	1 pc
Sales Key	DNC
Product Key	DNC322
Catalog Page	Page 463 (C-6-2019)
GTIN	4055626067056
Weight per Piece (including packing)	200 g
Weight per Piece (excluding packing)	185 g
Customs tariff number	85176200
Country of origin	DE

Technical Data

Dimensions

Dimensional drawing		
Width		22.5 mm
Height		99 mm
Depth		114.5 mm

Notes

Utilization restriction

CCCex note	Use in potentially explosive areas is not permitted in China.
------------	---

Material specifications

Color	gray
-------	------

Interfaces

Data: HART FSK

Transmission speed	1200 bps
Connection method	Screw connection
No. of channels	4

Product properties

Product type	I/O component
MTBF	359 Years (Siemens model SN29500, temperature 40°C, env. factor 1.5 and stress factor 50%)

Electrical properties

Test voltage data interface/power supply	500 V AC
Test voltage data interfaces	500 V AC

Supply

Supply voltage range	19.2 V DC ... 30 V DC (supplied from the bus)
Typical current consumption	44 mA (at 24 V DC)

Environmental and real-life conditions

Ambient conditions

Degree of protection	IP20
Ambient temperature (operation)	-40 °C ... 70 °C

GW PL HART4-BUS - Protocol converter



2702234

<https://www.phoenixcontact.com/in/products/2702234>

	-40 °F ... 158 °F
Ambient temperature (storage/transport)	-40 °C ... 85 °C

Approvals

Conformity/Approvals

Conformance	CE-compliant
Noxious gas test	ISA-S71.04-1985 G3 Harsh Group A

Ex data

ATEX	<input type="checkbox"/> II 3 G Ex nA IIC T4 Gc DEMKO 17 ATEX 1749X
IECEX	IECEX ULD 17.0020X Ex nA IIC T4 Gc
UL, USA / Canada	Class I, Div. 2, Groups A, B, C, D

Mounting

Mounting type	DIN rail mounting
Assembly instructions	on standard DIN rail NS 35 in accordance with EN 60715
Mounting position	any

GW PL HART4-BUS - Protocol converter

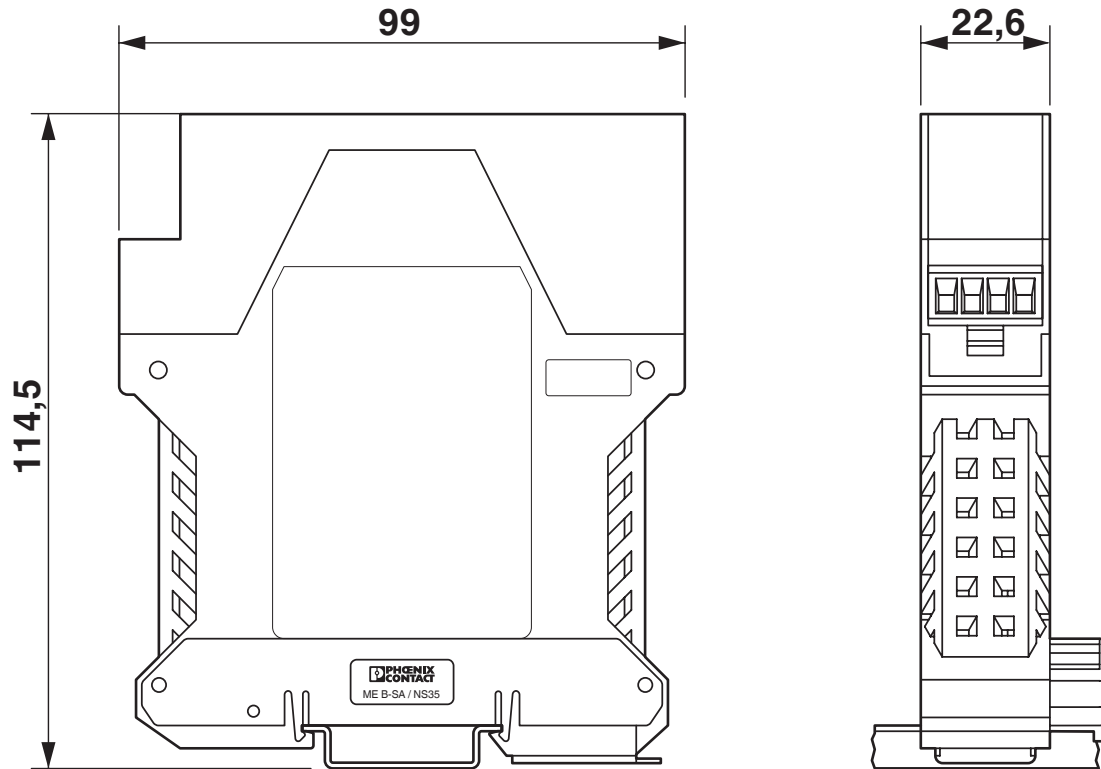
2702234

<https://www.phoenixcontact.com/in/products/2702234>

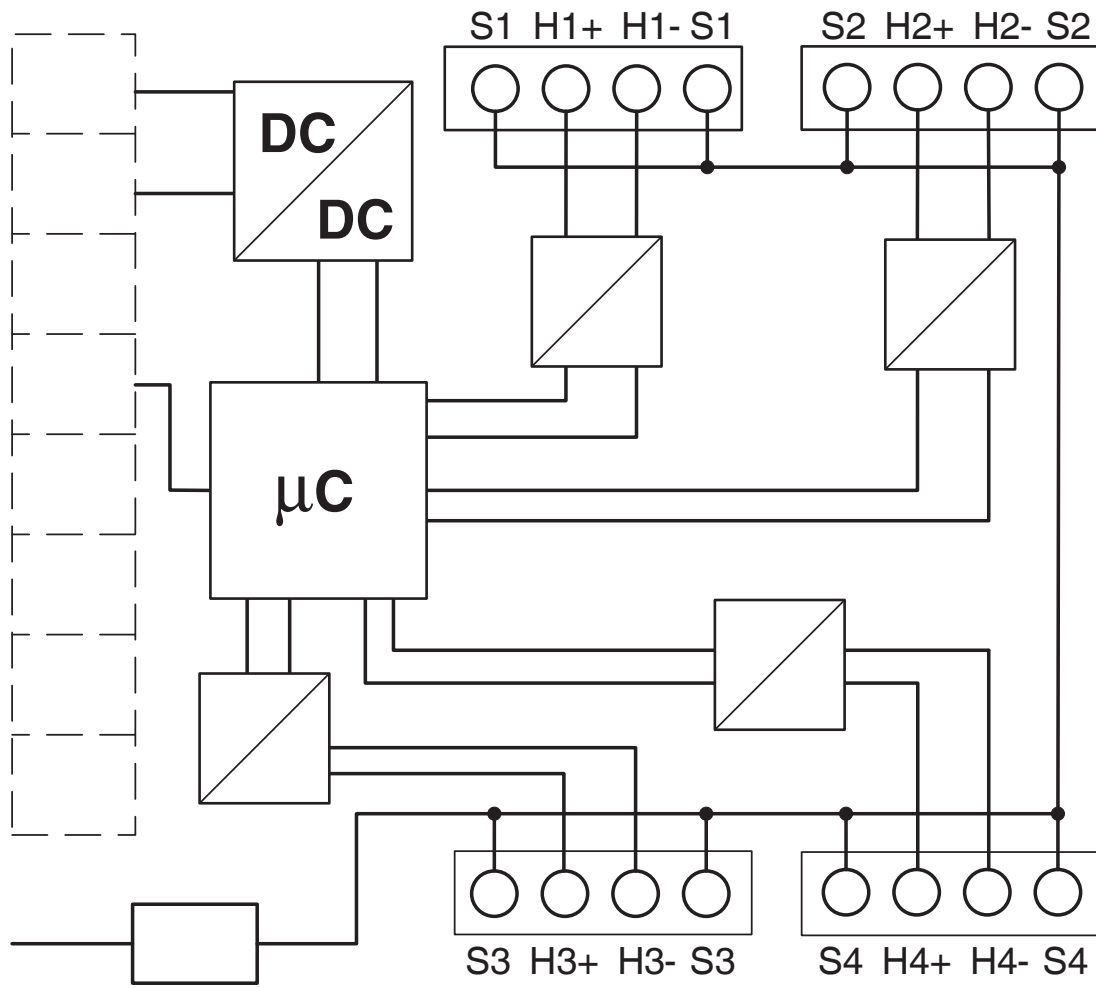


Drawings

Dimensional drawing



Block diagram



GW PL HART4-BUS - Protocol converter



2702234

<https://www.phoenixcontact.com/in/products/2702234>

Approvals



UL Listed

Approval ID: FILE E 238705



cUL Listed

Approval ID: FILE E 238705



IECEX

Approval ID: IECEX ULD 17.0020X



cUL Listed

Approval ID: FILE E 196811



UL Listed

Approval ID: FILE E 196811



ATEX

Approval ID: DEMKO 17 ATEX 1749X

GW PL HART4-BUS - Protocol converter



2702234

<https://www.phoenixcontact.com/in/products/2702234>

Classifications

ECLASS

ECLASS-11.0	27242208
ECLASS-12.0	27242208
ECLASS-13.0	27242208

ETIM

ETIM 8.0	EC001423
----------	----------

UNSPSC

UNSPSC 21.0	32151700
-------------	----------

GW PL HART4-BUS - Protocol converter



2702234

<https://www.phoenixcontact.com/in/products/2702234>

Environmental Product Compliance

China RoHS	Environmentally friendly use period: unlimited = EFUP-e
	No hazardous substances above threshold values

GW PL HART4-BUS - Protocol converter



2702234

<https://www.phoenixcontact.com/in/products/2702234>

Mandatory Accessories

GW PL ETH/UNI-BUS - Ethernet HART multiplexer

2702233

<https://www.phoenixcontact.com/in/products/2702233>



Ethernet head station for modular HART gateway. Connect up to five GW PL HART...-BUS expansion modules to communicate with up to 40 HART devices. Supports Modbus TCP, OPC UA, PROFINET, HART IP, FDT/DTM and Arcom.

GW PL ETH/BASIC-BUS - Ethernet HART multiplexer

2702321

<https://www.phoenixcontact.com/in/products/2702321>



Ethernet head station for modular HART gateway. Connect up to five GW PL HART...-BUS expansion modules to communicate with up to 40 HART devices. Supports Modbus TCP, HART IP, FDT/DTM and Arcom.

Accessories

GW PL HART4-BUS - Protocol converter

2702234

<https://www.phoenixcontact.com/in/products/2702234>



GW PL HART8-BUS - Protocol converter

2702235

<https://www.phoenixcontact.com/in/products/2702235>

Eight-channel HART[®] expansion module, with screw connection



GW PL HART8+AI-BUS - Protocol converter

2702236

<https://www.phoenixcontact.com/in/products/2702236>

Eight-channel HART[®] expansion module with analog loop supply and screw connection



GW PL HART4-BUS - Protocol converter

2702234

<https://www.phoenixcontact.com/in/products/2702234>



GW PL DIO4-BUS - Protocol converter

2702237

<https://www.phoenixcontact.com/in/products/2702237>



Four-channel digital input and four-channel digital output module with screw connection. For use with Modbus and OPC UA protocols.

GW PL HART4-R-BUS - Protocol converter

2702879

<https://www.phoenixcontact.com/in/products/2702879>



Four-channel HART[®] expansion module, with screw connection, with 250 Ω internal input resistors

GW PL HART4-BUS - Protocol converter

2702234

<https://www.phoenixcontact.com/in/products/2702234>



GW PL HART8-R-BUS - Protocol converter

2702880

<https://www.phoenixcontact.com/in/products/2702880>



Eight-channel HART[®] expansion module, with screw connection, with 250 Ω internal input resistors

Phoenix Contact 2023 © - all rights reserved

<https://www.phoenixcontact.com>

PHOENIX CONTACT (I) Pvt. Ltd.

A-58/2, Okhla Industrial Area, Phase - II, New Delhi-110 020

+91.1275.71420

info@phoenixcontact.co.in