

G-INSEC-M12-S68N-NCRS-S - Cable gland



1411187

<https://www.phoenixcontact.com/in/products/1411187>

Please be informed that the data shown in this PDF document is generated from our Online Catalog. Please find the complete data in the user documentation. Our General Terms of Use for Downloads are valid.



Cable gland, material for screw connection: Nickel-plated brass, external cable diameter 4 mm ... 6.5 mm, shielding: yes, connecting thread: M12 x 1.5, color: silver, with O-ring

Commercial Data

Item number	1411187
Packing unit	10 pc
Minimum order quantity	10 pc
Sales Key	BF7
Product Key	BF7DBX
Catalog Page	Page 690 (C-2-2019)
GTIN	4046356923187
Weight per Piece (including packing)	13.34 g
Weight per Piece (excluding packing)	13.3 g
Customs tariff number	74198090
Country of origin	TR

Technical Data

Mounting

Assembly instructions	<p>Method 1 Cut the outer sheath, but do not remove it. Feed the cable through the screw connection and then remove the outer sheath. Now pull the cable back until the connection is established between the cable shield and the contact spring.</p> <p>Method 2 Push the braided shield back around 15 ... 20 mm over the outer sheath. Insert the cables into the screw connection until the connection is established between the cable shield and the contact spring.</p>
-----------------------	---

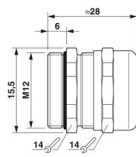
Product properties

Product type	Full screw connection
No. of conductors	1
Manufacturer	BIMED
Manufacturer Designation	BMEM-ES
Shielded	yes
Execution of the strain relief	A

Characteristics

Category of shock impact	2
Cable diameter without cable sheath	2.5 mm (Diameter of braided shield)
Design, Strain relief	A

Dimensions

Dimensional drawing	
Length	28 mm
Length of the connecting thread	6 mm
Hole diameter	12.1 mm ... 12.2 mm
Wrench size, union nut	14 mm
Wrench size, support	14 mm
Hexagon angular dimension	15.5 mm
Thread type connection side	M12 x 1.5
Thread pitch	1.5 mm

Material specifications

Color	silver
Material Compression ring	PA 6

G-INSEC-M12-S68N-NCRS-S - Cable gland



1411187

<https://www.phoenixcontact.com/in/products/1411187>

Seal material O-ring	Perbunan
Seal material Cable seal	CR
Material for screw connection	Nickel-plated brass

Cable/line

External cable diameter	4 mm ... 6.5 mm
	4 mm ... 6.5 mm (for UL 514 B)
Halogen-free	no

Environmental and real-life conditions

Ambient conditions

Degree of protection	IP68 (5 bar, 30 minutes)
	4X
Ambient temperature (operation)	-40 °C ... 100 °C (static)

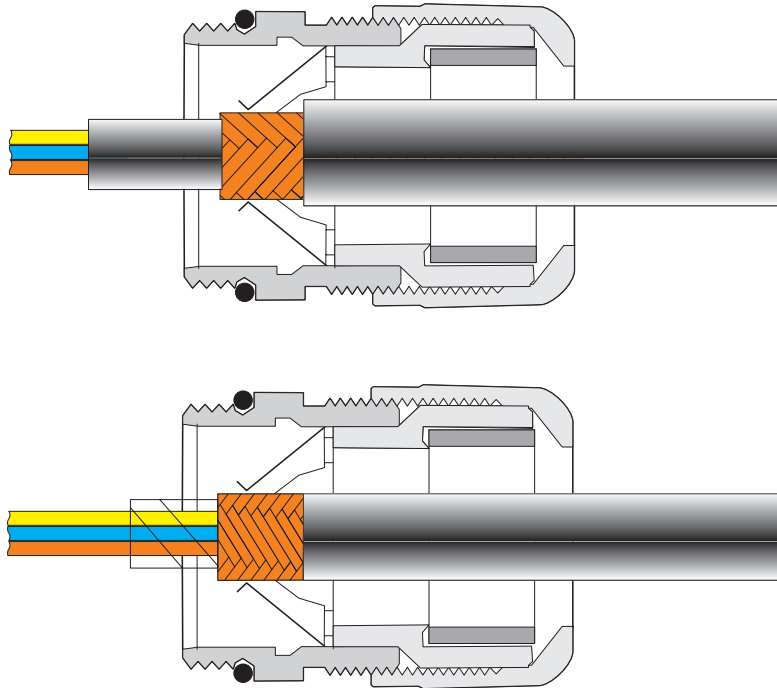
G-INSEC-M12-S68N-NCRS-S - Cable gland

1411187

<https://www.phoenixcontact.com/in/products/1411187>

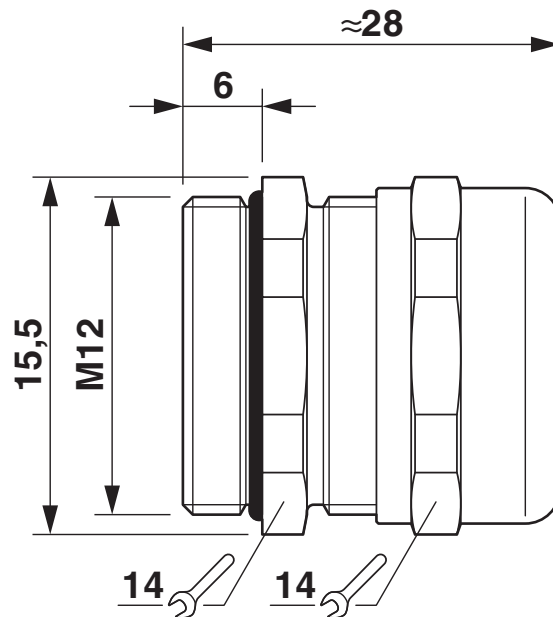
Drawings

Functional drawing



See assembly instruction

Dimensional drawing



Dimensional drawing

G-INSEC-M12-S68N-NCRS-S - Cable gland



1411187

<https://www.phoenixcontact.com/in/products/1411187>

Approvals



cUL Recognized
Approval ID: E199260



UL Recognized
Approval ID: E199260

G-INSEC-M12-S68N-NCRS-S - Cable gland



1411187

<https://www.phoenixcontact.com/in/products/1411187>

Classifications

ECLASS

ECLASS-11.0	27144432
ECLASS-12.0	27140801
ECLASS-13.0	27140801

ETIM

ETIM 8.0	EC000441
----------	----------

UNSPSC

UNSPSC 21.0	39121300
-------------	----------

G-INSEC-M12-S68N-NCRS-S - Cable gland



1411187

<https://www.phoenixcontact.com/in/products/1411187>

Environmental Product Compliance

REACH SVHC	Lead 7439-92-1
China RoHS	Environmentally Friendly Use Period = 50 years
	For information on hazardous substances, refer to the manufacturer's declaration available under "Downloads"

G-INSEC-M12-S68N-NCRS-S - Cable gland



1411187

<https://www.phoenixcontact.com/in/products/1411187>

Accessories

A-INLE-M12-N-S - EMV nut

1411267

<https://www.phoenixcontact.com/in/products/1411267>

EMV nut, for threads M12 x 1.5, color: silver



SEALING PLUG 5X12 RD - Closing cap

1400253

<https://www.phoenixcontact.com/in/products/1400253>

Closing cap, color: red



Phoenix Contact 2023 © - all rights reserved

<https://www.phoenixcontact.com>

PHOENIX CONTACT (I) Pvt. Ltd.

A-58/2, Okhla Industrial Area, Phase - II, New Delhi-110 020

+91.1275.71420

info@phoenixcontact.co.in