

PLT-SEC-T3-24-P-UT/PT - Type 3 surge protection plug



2907920

<https://www.phoenixcontact.com/in/products/2907920>

Please be informed that the data shown in this PDF document is generated from our Online Catalog. Please find the complete data in the user documentation. Our General Terms of Use for Downloads are valid.



Replacement plug for type 3 surge protection from the PLT-SEC-...-UT/PT product series.
Nominal voltage 24 V.

Commercial Data

Item number	2907920
Packing unit	10 pc
Minimum order quantity	1 pc
Sales Key	CL1
Product Key	CL14A4
Catalog Page	Page 82 (C-4-2019)
GTIN	4055626257464
Weight per Piece (including packing)	37.2 g
Weight per Piece (excluding packing)	33.825 g
Customs tariff number	85363030
Country of origin	DE

PLT-SEC-T3-24-P-UT/PT - Type 3 surge protection plug



2907920

<https://www.phoenixcontact.com/in/products/2907920>

Technical Data

Product properties

IEC power supply system	TN-S
Type	Male
Product type	Replacement plug
Product family	SEC Family
Number of positions	2
Surge protection fault message	optical

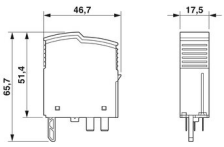
Insulation characteristics

Overvoltage category	III
Pollution degree	2
IEC test classification	III
	T3
EN type	T3
Number of ports	One

Connection data

Connection method	pluggable
-------------------	-----------

Dimensions

Dimensional drawing	
Width	17.5 mm
Height	46.7 mm
Depth	65.7 mm
Horizontal pitch	1 Div.

Material specifications

Color	light grey RAL 7035
Flammability rating according to UL 94	V-0
CTI value of material	600
Insulating material	PA 6.6-FR 20 % GF
	PA 6.6-FR
Housing material	PA 6.6-FR 20 % GF
	PA 6.6-FR

Protective circuit

Mode of protection	L-N
	L-PE

PLT-SEC-T3-24-P-UT/PT - Type 3 surge protection plug



2907920

<https://www.phoenixcontact.com/in/products/2907920>

	N-PE
Direction of action	1L-N & N-PE
Nominal voltage U_N	24 V AC (TN-S)
Nominal frequency f_N	50 Hz (60 Hz)
Maximum continuous voltage U_C	34 V AC
Residual current I_{PE}	$\leq 5 \mu A$
Standby power consumption P_C	$\leq 2.7 \text{ mVA}$ (at U_{REF})
	$\leq 4.8 \text{ mVA}$ (at U_C)
Reference test voltage U_{REF}	27 V AC
Nominal discharge current I_n (8/20) μs	1 kA
Combination wave U_{OC}	2 kV
Voltage protection level U_p (L-N)	$\leq 0.2 \text{ kV}$
Voltage protection level U_p (L-PE)	$\leq 0.6 \text{ kV}$
Voltage protection level U_p (N-PE)	$\leq 0.6 \text{ kV}$
TOV behavior at U_T (L-N)	50 V AC (120 min / safe failure mode)
TOV behavior at U_T (L-PE)	50 V AC (120 min / withstand mode)
Response time t_A (L-N)	$\leq 25 \text{ ns}$
Response time t_A (L-PE)	$\leq 100 \text{ ns}$
Response time t_A (N-PE)	$\leq 100 \text{ ns}$
Short-circuit current rating I_{SCCR}	10 kA AC
Max. backup fuse with branch wiring	32 A (gG / B / C)

Additional technical data

Short-circuit current rating I_{SCCR}	0.25 kA DC (Without additional backup fuse in the DC branch wiring)
	5 kA DC (for 20 A gG / B backup fuse)
Maximum discharge current I_{max} (8/20) μs	4 kA
Nominal discharge current I_n (8/20) μs	3 kA
Residual voltage U_{res} (L-N)	$\leq 0.16 \text{ kV}$ (at 0.5 kA)
	$\leq 0.2 \text{ kV}$ (at 1 kA)
Residual voltage U_{res} (L-PE)	$\leq 0.35 \text{ kV}$ (at 0.5 kA)
	$\leq 0.4 \text{ kV}$ (at 1 kA)
Residual voltage U_{res} (N-PE)	$\leq 0.35 \text{ kV}$ (at 0.5 kA)
	$\leq 0.4 \text{ kV}$ (at 1 kA)
Maximum continuous voltage U_C	44 V DC
Mode of protection	(DC+) - (DC-)
	(DC+/DC-) - PE

Environmental and real-life conditions

Ambient conditions

Degree of protection	IP20
Ambient temperature (operation)	-40 °C ... 80 °C
Ambient temperature (storage/transport)	-40 °C ... 80 °C
Altitude	$\leq 6000 \text{ m}$ (amsl (above mean sea level))

PLT-SEC-T3-24-P-UT/PT - Type 3 surge protection plug



2907920

<https://www.phoenixcontact.com/in/products/2907920>

Permissible humidity (operation)	5 % ... 95 %
Shock (operation)	30g (Half-sine / 11 ms / 3x ±X, ±Y, ±Z)
Vibration (operation)	5g (5 ... 500 Hz / 2.5 h / X, Y, Z)

Approvals

UL specifications

Maximum continuous operating voltage MCOV	34 V AC
	34 V DC
Nominal discharge current I_n	1 kA
Mode of protection	L-N
	L-G
	N-G
	(DC+) - (DC-)
	(DC+) - G
	(DC-) - G
Nominal voltage	34 V DC
Power distribution system	Single phase
	DC
Nominal frequency	50/60 Hz
Measured limiting voltage MLV (L-N)	200 V
Measured limiting voltage MLV (L-G)	510 V
Measured limiting voltage MLV (N-G)	510 V
SPD Type	4CA

Standards and regulations

Standards/specifications	IEC 61643-11
--------------------------	--------------

EN 61643-11

Standards/specifications	EN 61643-11
--------------------------	-------------

Mounting

Mounting type	on base element
---------------	-----------------

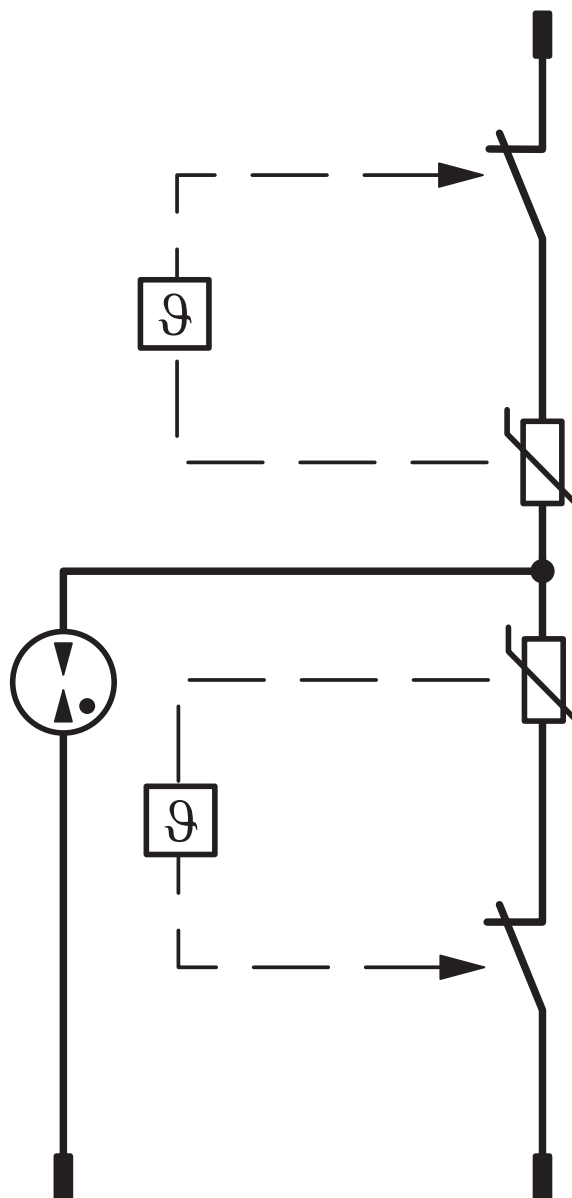
PLT-SEC-T3-24-P-UT/PT - Type 3 surge protection plug

2907920

<https://www.phoenixcontact.com/in/products/2907920>

Drawings

Circuit diagram



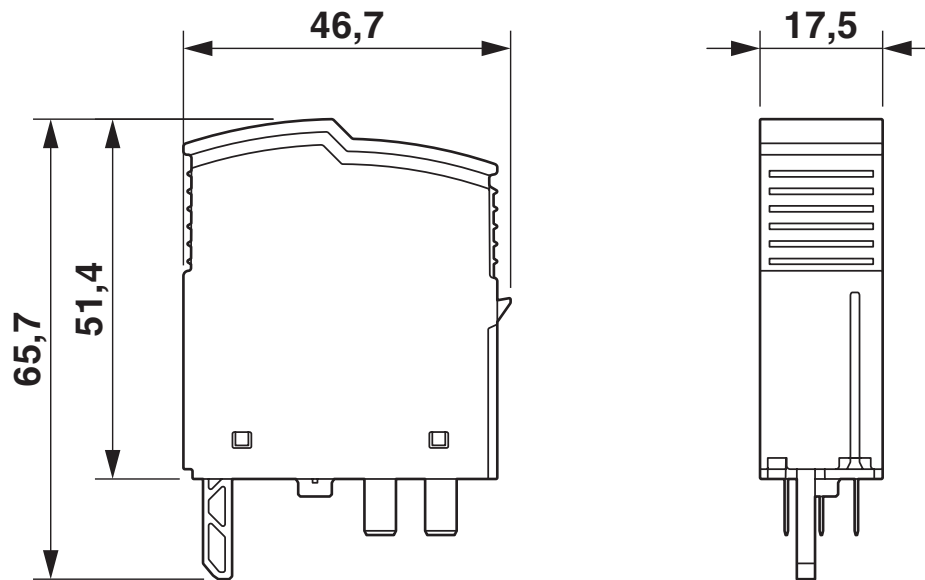
PLT-SEC-T3-24-P-UT/PT - Type 3 surge protection plug



2907920

<https://www.phoenixcontact.com/in/products/2907920>

Dimensional drawing



PLT-SEC-T3-24-P-UT/PT - Type 3 surge protection plug



2907920

<https://www.phoenixcontact.com/in/products/2907920>

Approvals



cUL Recognized
Approval ID: FILE E 330181



UL Recognized
Approval ID: FILE E 330181



IECEE CB Scheme
Approval ID: NL-51083



EAC
Approval ID: RU C-DE.*09.B.00169



KEMA-KEUR
Approval ID: 71-103027



DNV GL
Approval ID: TAE00002U7



cUL Recognized
Approval ID: FILE E 340736



UL Recognized
Approval ID: FILE E 340736

PLT-SEC-T3-24-P-UT/PT - Type 3 surge protection plug



2907920

<https://www.phoenixcontact.com/in/products/2907920>

Classifications

ECLASS

ECLASS-11.0

27130890

ETIM

ETIM 8.0

EC002496

UNSPSC

UNSPSC 21.0

39121600

PLT-SEC-T3-24-P-UT/PT - Type 3 surge protection plug



2907920

<https://www.phoenixcontact.com/in/products/2907920>

Environmental Product Compliance

China RoHS	Environmentally friendly use period: unlimited = EFUP-e
	No hazardous substances above threshold values

PLT-SEC-T3-24-P-UT/PT - Type 3 surge protection plug

2907920

<https://www.phoenixcontact.com/in/products/2907920>

Accessories

PLT-SEC-T3-24-FM-PT - Type 3 surge protection device

2907925

<https://www.phoenixcontact.com/in/products/2907925>



Type 3 surge protection, consisting of protective plug and base element, with integrated status indicator and remote signaling for single-phase power supply networks. Nominal voltage: 24 V AC/DC

PLT-SEC-T3-24-FM-UT - Type 3 surge protection device

2907916

<https://www.phoenixcontact.com/in/products/2907916>



Type 3 surge protection, consisting of protective plug and base element, with integrated status indicator and remote signaling for single-phase power supply networks. Nominal voltage: 24 V AC/DC

PLT-SEC-T3-24-P-UT/PT - Type 3 surge protection plug



2907920

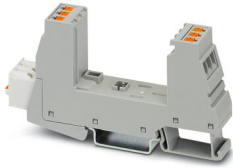
<https://www.phoenixcontact.com/in/products/2907920>

PLT-SEC-T3-BE-FM-PT - Type 3 surge protection base element

2907929

<https://www.phoenixcontact.com/in/products/2907929>

Base element for protective plugs from the PLT-SEC-...-UT/PT product series with remote indication contact.

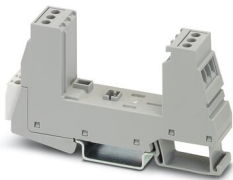


PLT-SEC-T3-BE-FM-UT - Type 3 surge protection base element

2907924

<https://www.phoenixcontact.com/in/products/2907924>

Base element for protective plugs from the PLT-SEC-...-UT/PT product series with remote indication contact.



Phoenix Contact 2023 © - all rights reserved
<https://www.phoenixcontact.com>

PHOENIX CONTACT (I) Pvt. Ltd.
A-58/2, Okhla Industrial Area, Phase - II, New Delhi-110 020

+91.1275.71420
info@phoenixcontact.co.in