

# Product datasheet

Specifications



## Screw socket equipped with LED and protection circuit, 12...24 V AC/DC

RSLZVA1

### Main

Range of product	Harmony Electromechanical Relays
Product or component type	Socket
Contact terminal arrangement	Separate
Product compatibility	Plug-in relay RSL with 1 C/O contact at 12 V DC Plug-in relay RSL with 1 C/O contact at 24 V DC
Shape of pin	Flat
Device short name	RSLZ
Device presentation	Basic element
Sale per indivisible quantity	10
Switching voltage	12 V AC/DC 24 V AC/DC

### Complementary

[I <sub>th</sub> ] conventional free air thermal current	6 A
[U <sub>e</sub> ] rated operational voltage	< 300 V AC
Tightening torque	< 0.5 N.m for M2.5 screw(s)
Fixing mode	Plastic compression spring (35 mm symmetrical DIN rail)
Marking	CE
CAD overall width	6.2 mm
CAD overall height	78.6 mm
CAD overall depth	95 mm
Net weight	0.023 kg
Rated operational voltage limits	11.4...14.4 V 21.6...28.8 V
Group of product	RSL_CON_12-24
Compatibility code	RSLZ
[U <sub>imp</sub> ] rated impulse withstand voltage	3.6 kV
Overvoltage category	III
Pollution degree	3

## Environment

<b>Connections - terminals</b>	Connector, 1 x 0.2...1 x 2.5 mm <sup>2</sup> (AWG 24...AWG 14) flexible with cable end Connector, 1 x 0.2...1 x 2.5 mm <sup>2</sup> (AWG 24...AWG 14) solid without cable end
<b>Standards</b>	IEC 61984 UL 508
<b>Product certifications</b>	CSA GOST
<b>Ambient air temperature for storage</b>	-40...85 °C
<b>Ambient air temperature for operation</b>	-40...70 °C
<b>IP degree of protection</b>	IP20 conforming to EN/IEC 60529
<b>Dielectric strength</b>	2500 V

## Packing Units

<b>Unit Type of Package 1</b>	PCE
<b>Number of Units in Package 1</b>	1
<b>Package 1 Height</b>	8.5 cm
<b>Package 1 Width</b>	7.2 cm
<b>Package 1 Length</b>	10.8 cm
<b>Package 1 Weight</b>	23 g
<b>Unit Type of Package 2</b>	BB1
<b>Number of Units in Package 2</b>	10
<b>Package 2 Height</b>	8.5 cm
<b>Package 2 Width</b>	7.2 cm
<b>Package 2 Length</b>	10.8 cm
<b>Package 2 Weight</b>	262 g
<b>Unit Type of Package 3</b>	S03
<b>Number of Units in Package 3</b>	300
<b>Package 3 Height</b>	30 cm
<b>Package 3 Width</b>	30 cm
<b>Package 3 Length</b>	40 cm
<b>Package 3 Weight</b>	8.395 kg

## Offer Sustainability

<b>Sustainable offer status</b>	Green Premium product
<b>REACH Regulation</b>	<a href="#">REACH Declaration</a>
<b>REACH free of SVHC</b>	Yes
<b>EU RoHS Directive</b>	Pro-active compliance (Product out of EU RoHS legal scope) <a href="#">EU RoHS Declaration</a>
<b>Toxic heavy metal free</b>	Yes
<b>Mercury free</b>	Yes
<b>China RoHS Regulation</b>	<a href="#">China RoHS declaration</a>
<b>RoHS exemption information</b>	<a href="#">Yes</a>
<b>Environmental Disclosure</b>	<a href="#">Product Environmental Profile</a>
<b>Circularity Profile</b>	<a href="#">End of Life Information</a>

---

**WEEE**

The product must be disposed on European Union markets following specific waste collection and never end up in rubbish bins

**Contractual warranty**

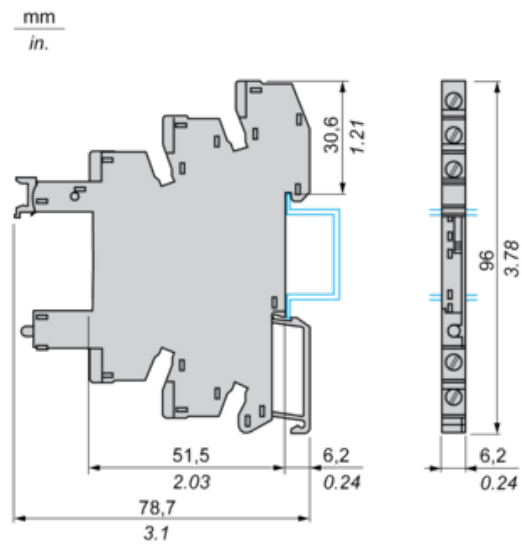
---

**Warranty**

18 months

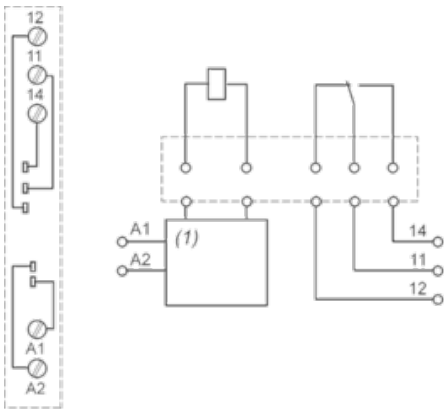
## Dimensions

---



## Wiring Diagram

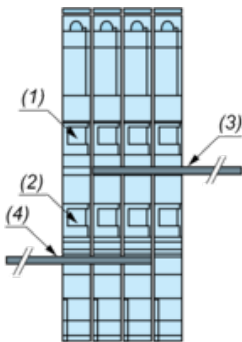
---



(1) Protection circuit

## Example of RSLZ2 Bus Jumper Mounting on Sockets

Side View



- (1) A1
- (2) A2
- (3) Bus jumper polarity A1
- (4) Bus jumper polarity A2

## Recommended replacement(s)