

# SACC-M12FS-4SC M - Connector



1513198

<https://www.phoenixcontact.com/in/products/1513198>

Please be informed that the data shown in this PDF document is generated from our Online Catalog. Please find the complete data in the user documentation. Our General Terms of Use for Downloads are valid.



Connector, 4-position, Socket straight M12, A, Spring-cage connection, knurl material: Zinc die-cast, nickel-plated, external cable diameter 4 mm ... 8 mm

## Your advantages

- Safe use in the field, thanks to a high degree of protection
- Spring-cage connection: connect more securely, even in the case of shock and vibration, thanks to high contact forces

## Commercial Data

Item number	1513198
Packing unit	1 pc
Minimum order quantity	1 pc
Note	Made to Order (non-returnable)
Sales Key	BF2
Product Key	BF2CEA
Catalog Page	Page 33 (PC-2007)
GTIN	4017918946562
Weight per Piece (including packing)	26.5 g
Weight per Piece (excluding packing)	26.4 g
Customs tariff number	85366990
Country of origin	DE

# SACC-M12FS-4SC M - Connector



1513198

<https://www.phoenixcontact.com/in/products/1513198>

## Technical Data

### Mounting

Assembly instructions	The wires can be connected both with ferrules and without ferrules
-----------------------	--

### Product properties

Product type	Circular connector (cable-side)
Number of positions	4
No. of cable outlets	1
Shielded	no
Coding	A
Cable outlet	straight

### Insulation characteristics

Overvoltage category	II
Degree of pollution	3

### Dimensions

#### External dimensions

Outside diameter	4 mm ... 8 mm
------------------	---------------

### Material specifications

Flammability rating according to UL 94	V0
Seal material	Neoprene
Material of grip body	PA 6.6
Contact material	CuSn
Contact surface material	Ni/Au
Contact carrier material	PA 6.6
Material for screw connection	Zinc die-cast, nickel-plated

### Connection data

#### Conductor connection

Connection method	Spring-cage connection
Connection cross section	0.14 mm <sup>2</sup> ... 0.5 mm <sup>2</sup>
Connection cross section AWG	26 ... 20
Stripping length of the individual wire	10 mm
Tightening torque	0.4 Nm (M12 knurl)
	0.4 Nm (Connector with coupling sleeve)
	1.5 Nm (Pressure nut with coupling sleeve)

### Electrical properties

Contact resistance	≤ 8 mΩ
Insulation resistance	≥ 100 MΩ

# SACC-M12FS-4SC M - Connector



1513198

<https://www.phoenixcontact.com/in/products/1513198>

Nominal voltage $U_N$	250 V
Nominal current $I_N$	4 A

## Mechanical properties

### Mechanical data

Insertion/withdrawal cycles	$\geq 100$
-----------------------------	------------

## Connector

### Connection 1

Head design	Socket
Head cable outlet	straight
Head thread type	M12
Coding	A

## Cable/line

Stripping length of the individual wire	10 mm
---	-------

## Environmental and real-life conditions

### Ambient conditions

Degree of protection	IP65
Ambient temperature (operation)	-40 °C ... 85 °C (Plug / socket)

## Standards and regulations

Standards/specifications	IEC 61076-2-101
--------------------------	-----------------

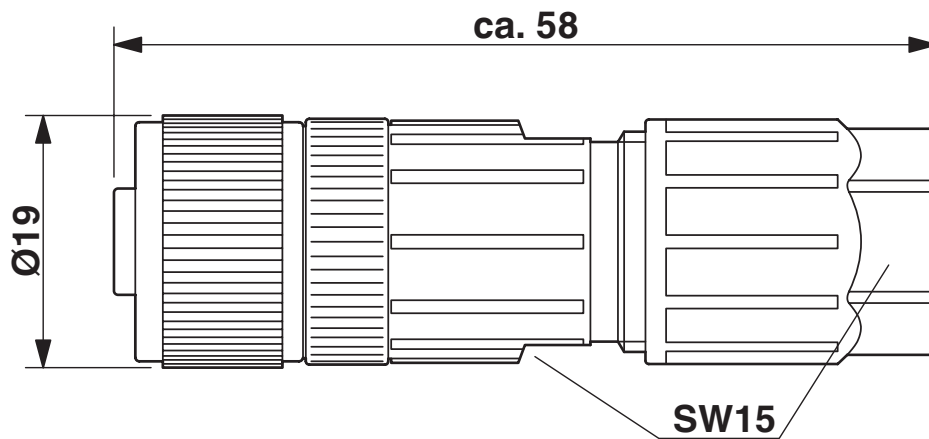
# SACC-M12FS-4SC M - Connector

1513198

<https://www.phoenixcontact.com/in/products/1513198>

## Drawings

Dimensional drawing



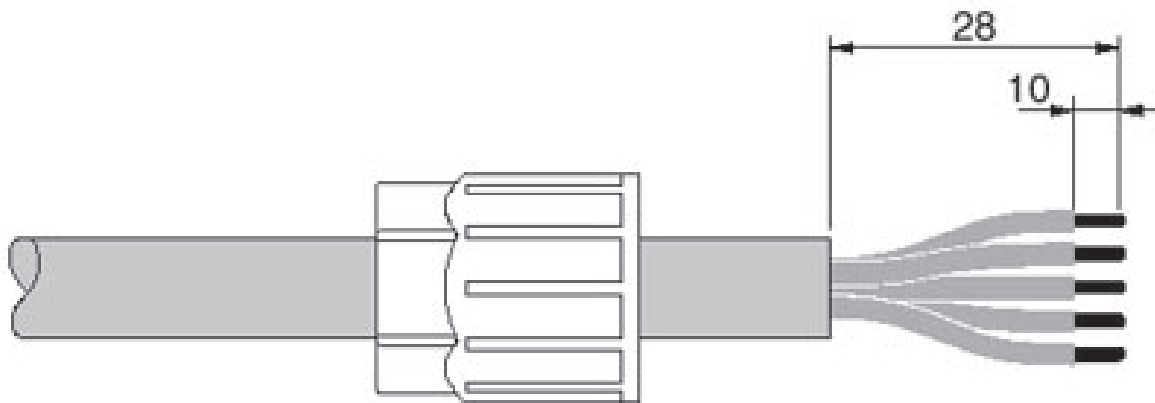
M12 x 1 socket, straight

# SACC-M12FS-4SC M - Connector

1513198

<https://www.phoenixcontact.com/in/products/1513198>

## Functional drawing



Strip 28 mm off the cable, 35 mm in the case of the angled version, strip single wires, push the pressure nut onto the cable. Slide the wires through the sleeve housing and connect, screw sleeve housing to the plug insert, screw the pressure nut tight.

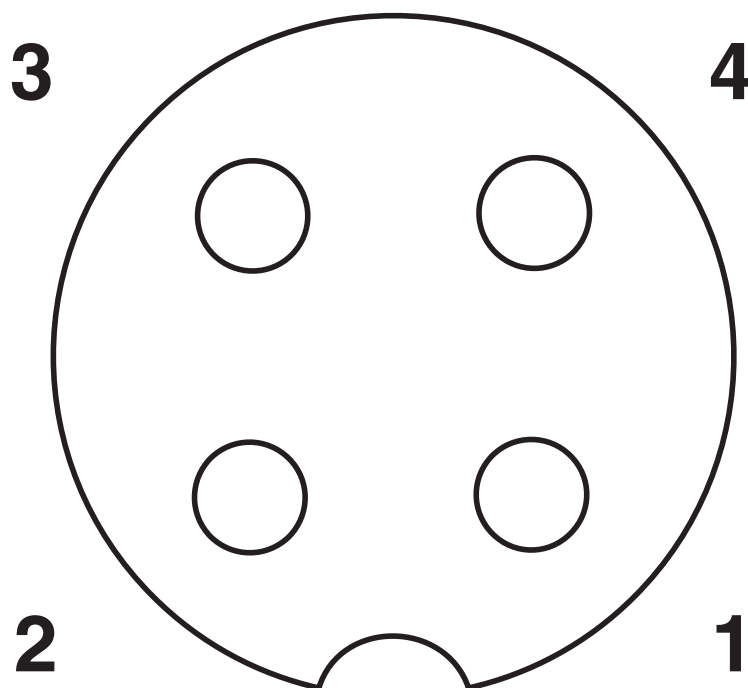
# SACC-M12FS-4SC M - Connector

1513198

<https://www.phoenixcontact.com/in/products/1513198>



Schematic diagram



Pin assignment M12 socket, 4-pos., A-coded, view female side

# SACC-M12FS-4SC M - Connector



1513198

<https://www.phoenixcontact.com/in/products/1513198>

## Classifications

### ECLASS

ECLASS-11.0	27440102
-------------	----------

# SACC-M12FS-4SC M - Connector



1513198

<https://www.phoenixcontact.com/in/products/1513198>

## Environmental Product Compliance

China RoHS	Environmentally Friendly Use Period = 50 years For information on hazardous substances, refer to the manufacturer's declaration available under "Downloads"
------------	--



# SACC-M12FS-4SC M - Connector

1513198

<https://www.phoenixcontact.com/in/products/1513198>



## Accessories

### TSD 04 SAC - Torque screwdriver

1208429

<https://www.phoenixcontact.com/in/products/1208429>



Torque screwdriver, with preset torque of 0.4 Nm and 4 mm hexagonal drive for M12 connectors

---

### SACC BIT M12-D20 - Tool

1208445

<https://www.phoenixcontact.com/in/products/1208445>



Nut for assembling M12 connectors for assembly with a knurl diameter of 20 mm, for 4 mm hexagonal drive

# SACC-M12FS-4SC M - Connector

1513198

<https://www.phoenixcontact.com/in/products/1513198>



## TSD-M 1,2NM - Torque screwdriver

1212224

<https://www.phoenixcontact.com/in/products/1212224>



Torque screw driver, accuracy as per EN ISO 6789 standard, adjustable from 0.3 - 1.2 Nm

---

## TSD-M SAC-BIT ADAPTER - Adapter insert

1212600

<https://www.phoenixcontact.com/in/products/1212600>



Adapter bit for TSD-M...torque tools, E6.3-1/4" drive with 4 mm hexagon to accommodate SAC bits

# SACC-M12FS-4SC M - Connector

1513198

<https://www.phoenixcontact.com/in/products/1513198>



## PROT-M12 FS-PA-CHAIN - Sealing cap

1430873

<https://www.phoenixcontact.com/in/products/1430873>

M12 sealing cap made of plastic with fixing band, for sensor cables, for free M12 plugs



---

## SAC-5P-100,0-PUR/0,34 - Cable reel

1501676

<https://www.phoenixcontact.com/in/products/1501676>

By the meter, Cable reel, PUR halogen-free, black-gray RAL 7021, 5-wire, color single wire: brown, white, blue, black, green-yellow, cable length: 100 m



---

Phoenix Contact 2023 © - all rights reserved  
<https://www.phoenixcontact.com>

PHOENIX CONTACT (I) Pvt. Ltd.  
A-58/2, Okhla Industrial Area, Phase - II, New Delhi-110 020

+91.1275.71420  
[info@phoenixcontact.co.in](mailto:info@phoenixcontact.co.in)