

SACC-CI-M12FSD-4CON-L90 SCO - Flush-type connector



1432457

<https://www.phoenixcontact.com/in/products/1432457>

Please be informed that the data shown in this PDF document is generated from our Online Catalog. Please find the complete data in the user documentation. Our General Terms of Use for Downloads are valid.



Flush-type connector, Ethernet/PROFINET CAT5 (100 Mbps), 4-position, Flush-type female connector, straight, M12, coding: D - data , PCB mounting, Solder pins, Alternative product in accordance with RoHS II without Exemption 6c (Pb <0.1%) item no.: 1237421

Your advantages

- Reduced mounting costs thanks to two-piece device connector
- All common pin assignments and codings available
- Easy device integration thanks to mechanical port screw connections with threaded attachment, press-in contour or direct integration in the front plate
- Additional gasket for the device when not plugged in

Commercial Data

Item number	1432457
Packing unit	20 pc
Minimum order quantity	20 pc
Sales Key	ABQ
Product Key	ABQCAD
Catalog Page	Page 252 (C-2-2013)
GTIN	4046356410748
Weight per Piece (including packing)	5.14 g
Weight per Piece (excluding packing)	4.026 g
Customs tariff number	85366990
Country of origin	DE

SACC-CI-M12FSD-4CON-L90 SCO - Flush-type connector



1432457

<https://www.phoenixcontact.com/in/products/1432457>

Technical Data

Notes

Notes on operation	The electrical and mechanical data specified assume that the connector pair is correctly locked and mounted. If the connector is unlocked and if there is a danger of contamination, the connector must be sealed using a protective cap > IP54. Influences arising from litz wires, cables or PCB assembly must also be taken into consideration.
--------------------	--

Product properties

Product type	Contact insert
Number of positions	4
Coding	D

Insulation characteristics

Overvoltage category	II
Degree of pollution	3

Electrical properties

Rated surge voltage	2.5 kV
Contact resistance	$\leq 3 \text{ m}\Omega$
Insulation resistance	$\geq 100 \text{ M}\Omega$
Nominal voltage U_N	250 V
Nominal current I_N	4 A

Interfaces

Signal type/category	Ethernet/PROFINET CAT5, 100 Mbps
----------------------	----------------------------------

Signaling

Status display	No
Status display present	No

Material specifications

Flammability rating according to UL 94	V0
Seal material	FKM / EPDM
Contact material	CuZn
Contact surface material	Au
Contact carrier material	PA 6T/66

Connector

Connection 1

Head design	Flush-type female connector
Head cable outlet	straight
Head thread type	M12

SACC-CI-M12FSD-4CON-L90 SCO - Flush-type connector



1432457

<https://www.phoenixcontact.com/in/products/1432457>

Coding	D - data
--------	----------

Cable/line

Signal type/category	Ethernet/PROFINET CAT5, 100 Mbps
----------------------	----------------------------------

Mechanical properties

Mechanical data

Insertion/withdrawal cycles	> 100
-----------------------------	-------

Environmental and real-life conditions

Ambient conditions

Degree of protection	IP67
	IP67
Ambient temperature (operation)	-25 °C ... 105 °C (Plug / socket)
	-40 °C ... 105 °C (without mechanical actuation)

Standards and regulations

M12

Standards/specifications	IEC 61076-2-101
--------------------------	-----------------

Mounting

Mounting type	PCB mounting
---------------	--------------

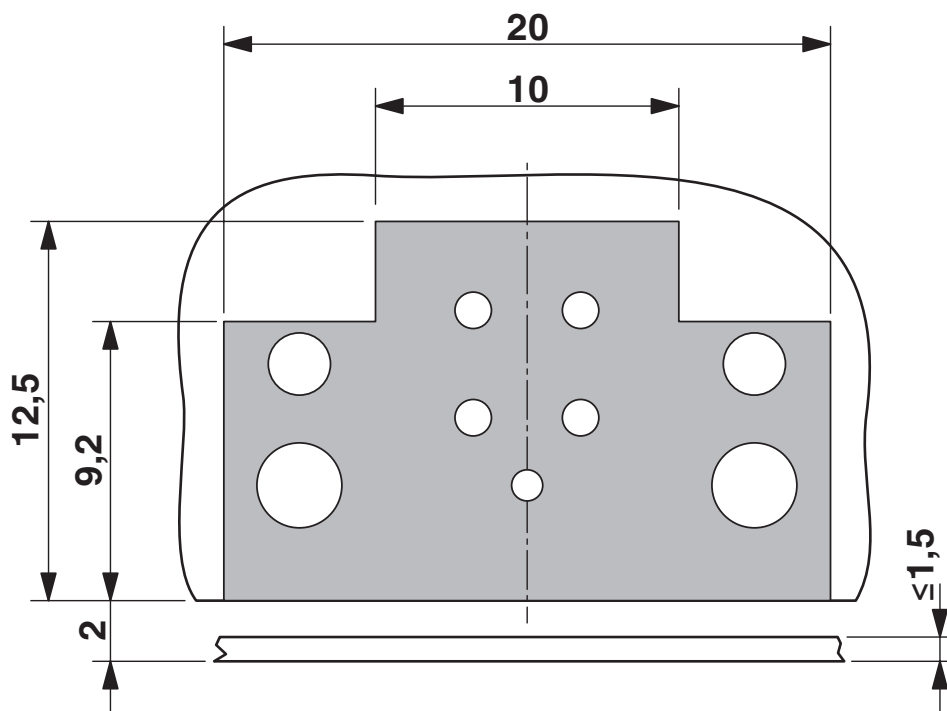
SACC-CI-M12FSD-4CON-L90 SCO - Flush-type connector

1432457

<https://www.phoenixcontact.com/in/products/1432457>

Drawings

Dimensional drawing



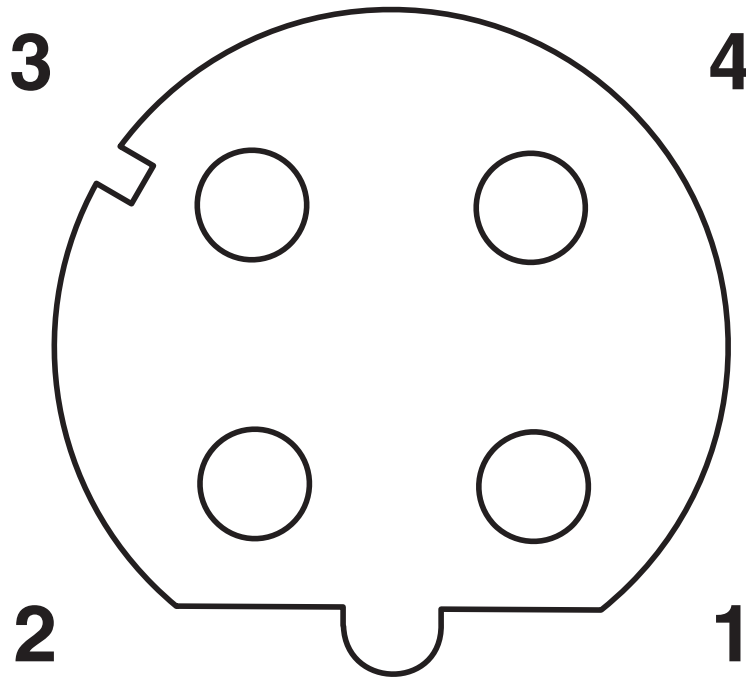
Locked area on the PCB

SACC-CI-M12FSD-4CON-L90 SCO - Flush-type connector

1432457

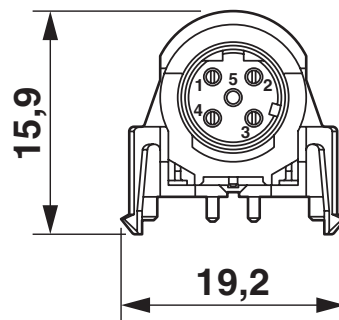
<https://www.phoenixcontact.com/in/products/1432457>

Schematic diagram



Pin assignment M12 socket, 4-pos., D-coded, female side

Dimensional drawing



Optionally with O-ring (green) for tight seal when plugged in.

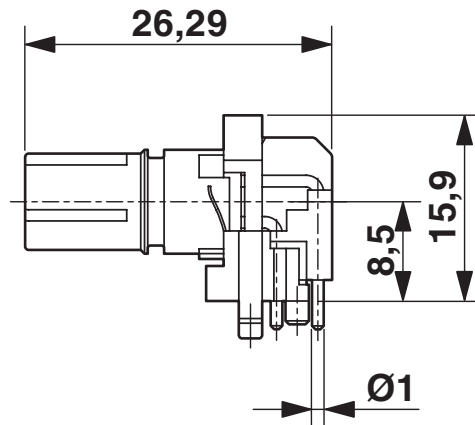
- the axial mating force of 80 N per connector may not be exceeded when using with assembled O-ring!
- Avoid radial forces!

SACC-CI-M12FSD-4CON-L90 SCO - Flush-type connector

1432457

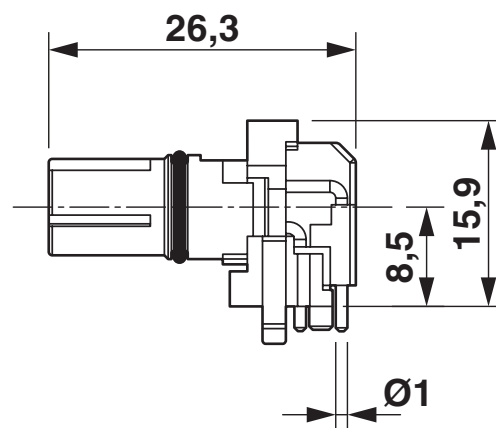
<https://www.phoenixcontact.com/in/products/1432457>

Dimensional drawing



Dimensional drawing

Dimensional drawing



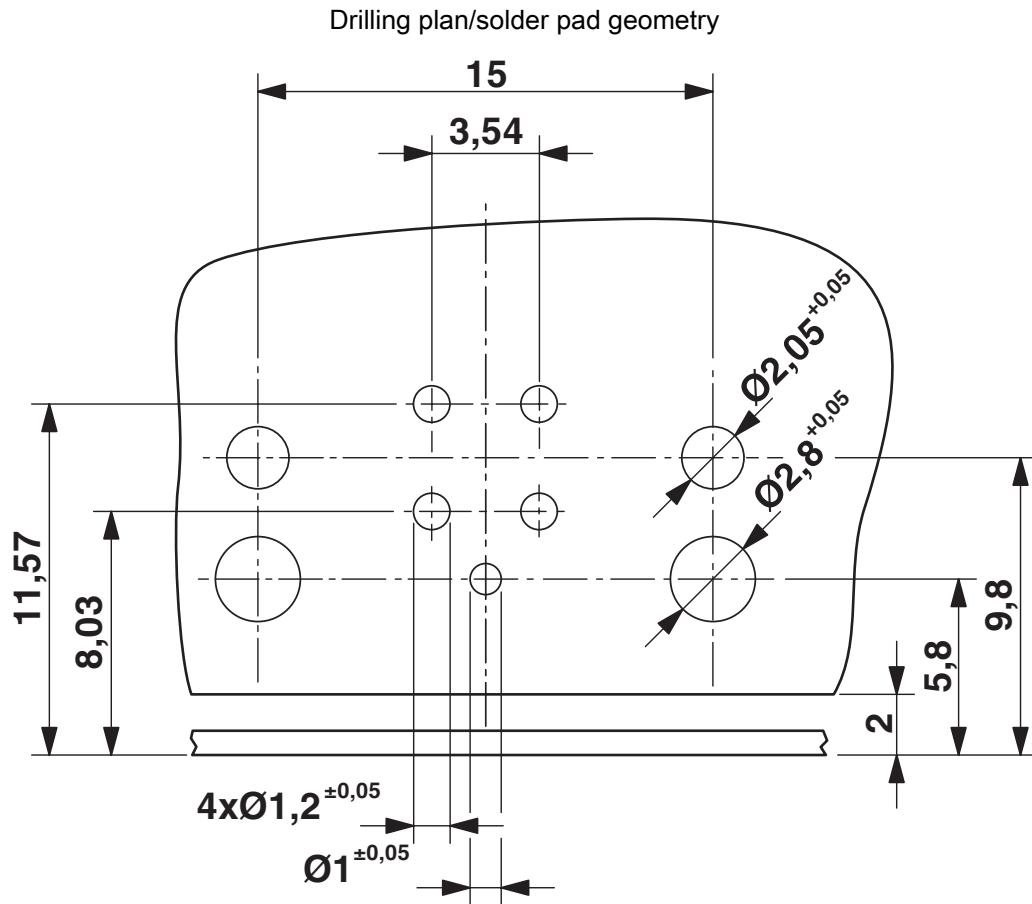
M12 flush-type connector, socket, contact carrier, front view

SACC-CI-M12FSD-4CON-L90 SCO - Flush-type connector



1432457

<https://www.phoenixcontact.com/in/products/1432457>



Drilling diagram only valid in connection with the SACC-M12-SCO NUT L90 housing (Item No. 1432460)

SACC-CI-M12FSD-4CON-L90 SCO - Flush-type connector




1432457

<https://www.phoenixcontact.com/in/products/1432457>

Approvals

 cUL Recognized Approval ID: E118976-20100522	Nominal Voltage U_N	Nominal Current I_N	Cross Section AWG	Cross Section mm^2
	250 V	4 A	- 22	-

 UL Recognized Approval ID: E118976-20100522	Nominal Voltage U_N	Nominal Current I_N	Cross Section AWG	Cross Section mm^2
	250 V	4 A	- 22	-

 EAC Approval ID: B.01687
--

SACC-CI-M12FSD-4CON-L90 SCO - Flush-type connector



1432457

<https://www.phoenixcontact.com/in/products/1432457>

Classifications

ECLASS

ECLASS-11.0	27440102
ECLASS-12.0	27440116
ECLASS-13.0	27440116

ETIM

ETIM 8.0	EC002635
----------	----------

UNSPSC

UNSPSC 21.0	39121400
-------------	----------

SACC-CI-M12FSD-4CON-L90 SCO - Flush-type connector



1432457

<https://www.phoenixcontact.com/in/products/1432457>

Environmental Product Compliance

REACH SVHC	Lead 7439-92-1
China RoHS	Environmentally Friendly Use Period = 50 years
	For information on hazardous substances, refer to the manufacturer's declaration available under "Downloads"

SACC-CI-M12FSD-4CON-L90 SCO - Flush-type connector

1432457

<https://www.phoenixcontact.com/in/products/1432457>

Accessories

PROT-M12 - Screw plug

1680539

<https://www.phoenixcontact.com/in/products/1680539>



An M12 screw plug for the unoccupied M12 sockets of the sensor/actuator cable, boxes and flush-type connectors

PROT-M12 SH - Screw plug

1503302

<https://www.phoenixcontact.com/in/products/1503302>



An M12 screw plug for the unoccupied M12 sockets of the shielded sensor/actuator cable, boxes and flush-type connectors

SACC-CI-M12FSD-4CON-L90 SCO - Flush-type connector



1432457

<https://www.phoenixcontact.com/in/products/1432457>

PROT-M12 FB - Screw plug

1555538

<https://www.phoenixcontact.com/in/products/1555538>



M12 high-grade steel screw plug, for unoccupied M12 sockets of the sensor/actuator cables, boxes and flush-type connectors for the food industry

SACC-M12-SCO NUT - Housing screw connection

1552243

<https://www.phoenixcontact.com/in/products/1552243>



Housing screw connection, Socket, M12-SPEEDCON, Front mounting, M12 x 1, Alternative product in accordance with RoHS II without Exemption 6c (Pb <0.1%) item no.: 1237399

SACC-CI-M12FSD-4CON-L90 SCO - Flush-type connector



1432457

<https://www.phoenixcontact.com/in/products/1432457>

SACC-DSIV-M12-NUT - Device connector front mounting

1416144

<https://www.phoenixcontact.com/in/products/1416144>



Device connector front mounting, Plug, M12, Front mounting, Alternative product in accordance with RoHS II without Exemption 6c (Pb <0.1%) item no.: 1239107

SACC-M12-SCO NUT L 90 - Housing screw connection

1432460

<https://www.phoenixcontact.com/in/products/1432460>



Housing screw connection, Front mounting, M12 x 1, Alternative product in accordance with RoHS II without Exemption 6c (Pb <0.1%) item no.: 1237409

SACC-CI-M12FSD-4CON-L90 SCO - Flush-type connector



1432457

<https://www.phoenixcontact.com/in/products/1432457>

SACC-BP-F-M12/M15-6-THR - Housing screw connection

1414004

<https://www.phoenixcontact.com/in/products/1414004>



Housing screw connection, Socket, M12, Rear mounting, M15 x 1, Alternative product in accordance with RoHS II without Exemption 6c (Pb <0.1%) item no.: 1239056

SACC-BP-F-M12/M15-7-THR - Housing screw connection

1414003

<https://www.phoenixcontact.com/in/products/1414003>



Housing screw connection, Socket, M12, Rear mounting, M15 x 1, Alternative product in accordance with RoHS II without Exemption 6c (Pb <0.1%) item no.: 1239055

SACC-CI-M12FSD-4CON-L90 SCO - Flush-type connector

1432457

<https://www.phoenixcontact.com/in/products/1432457>

SACC-BP-F-M12/M15-6-THR SCO - Housing screw connection

1414020

<https://www.phoenixcontact.com/in/products/1414020>



Housing screw connection, Socket, M12-SPEEDCON, Rear mounting, M15 x 1, Alternative product in accordance with RoHS II without Exemption 6c (Pb <0.1%) item no.: 1239057

SACC-BP-F-M12/M15-7-THR SCO - Housing screw connection

1414005

<https://www.phoenixcontact.com/in/products/1414005>



Housing screw connection, Socket, M12-SPEEDCON, Rear mounting, M15 x 1, Alternative product in accordance with RoHS II without Exemption 6c (Pb <0.1%) item no.: 1237398

SACC-CI-M12FSD-4CON-L90 SCO - Flush-type connector



1432457

<https://www.phoenixcontact.com/in/products/1432457>

SACC-M12 NUT PRESS - Housing screw connection

1437889

<https://www.phoenixcontact.com/in/products/1437889>



Housing screw connection, Socket, M12, Front mounting, THR solder connection, Alternative product in accordance with RoHS II without Exemption 6c (Pb <0.1%) item no.: 1237410

SACC-BP-F-M12-THR PP - Housing screw connection

1027662

<https://www.phoenixcontact.com/in/products/1027662>



Housing screw connection, Socket, M12-Push-Pull, Rear mounting, M16, THR- und Wellenlötkontakte, Item is lead-free in accordance with RoHS II without Exemption 6c (Pb <0.1%)

SACC-CI-M12FSD-4CON-L90 SCO - Flush-type connector



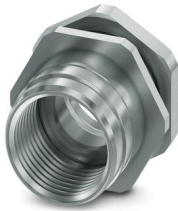
1432457

<https://www.phoenixcontact.com/in/products/1432457>

SACC-FP-F-M12-THR PP - Housing screw connection

1027678

<https://www.phoenixcontact.com/in/products/1027678>



Housing screw connection, Socket, M12-Push-Pull, Front mounting, M14 x 1, THR- und Wellenlötkontakte, Item is lead-free in accordance with RoHS II without Exemption 6c (Pb <0.1%)

Phoenix Contact 2023 © - all rights reserved

<https://www.phoenixcontact.com>

PHOENIX CONTACT (I) Pvt. Ltd.

A-58/2, Okhla Industrial Area, Phase - II, New Delhi-110 020

+91.1275.71420

info@phoenixcontact.co.in