

SACC-M12-SCO NUT L 90 - Housing screw connection



1432460

<https://www.phoenixcontact.com/in/products/1432460>

Please be informed that the data shown in this PDF document is generated from our Online Catalog. Please find the complete data in the user documentation. Our General Terms of Use for Downloads are valid.



Housing screw connection, Front mounting, M12 x 1, Alternative product in accordance with RoHS II without Exemption 6c (Pb <0.1%) item no.: 1237409

Your advantages

- Easy device integration, thanks to mechanical port screw connections with threaded fastening
- Flexible PCB assembly: two-piece connectors for wave and THR soldering
- SPEEDCON fast locking system reduces cabling times

Commercial Data

Item number	1432460
Packing unit	10 pc
Minimum order quantity	10 pc
Sales Key	ABQ
Product Key	ABQCCB
Catalog Page	Page 90 (C-2-2013)
GTIN	4046356410731
Weight per Piece (including packing)	7.28 g
Weight per Piece (excluding packing)	6.9 g
Customs tariff number	79070000
Country of origin	DE

SACC-M12-SCO NUT L 90 - Housing screw connection



1432460

<https://www.phoenixcontact.com/in/products/1432460>

Technical Data

Product properties

Product type	Panel mounting base
Thread type	M12

Material specifications

Material	Zinc die-cast (nickel-plated)
Seal material	EPDM
	HNBR
Material of grip body	Zinc die-cast, nickel-plated
Contact material	CuZn
Contact surface material	Ni/Au
Contact carrier material	PA 6.6
Material for screw connection	Zinc die-cast, nickel-plated

Cable/line

Ambient temperature (operation)	-40 °C ... 85 °C (cable, fixed installation)
	-25 °C ... 85 °C (Cable, flexible installation)

Environmental and real-life conditions

Ambient conditions

Degree of protection (when plugged in)	IP67 (correctly plugged in and locked)
Degree of protection	IP67 (correctly plugged in and locked)
Ambient temperature (operation)	-25 °C ... 85 °C (Plug / socket)
	-40 °C ... 85 °C (without mechanical actuation)
	-25 °C ... 85 °C (Cable, flexible installation)
	-40 °C ... 85 °C (cable, fixed installation)

Standards and regulations

M12

Standards/specifications	IEC 61076-2-101
--------------------------	-----------------

Mounting

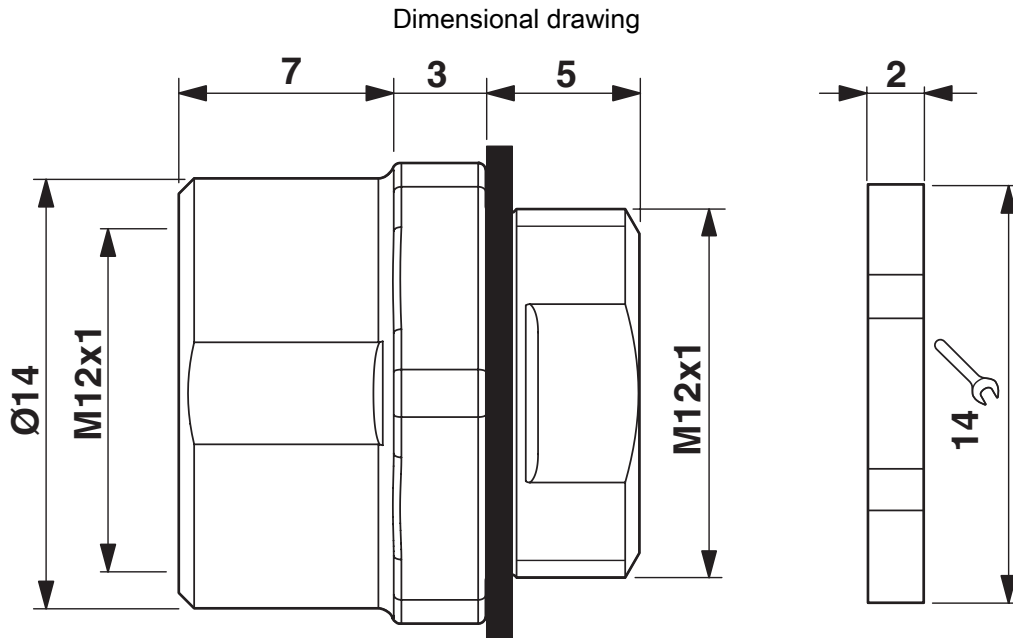
Mounting type	Front mounting M12 x 1
---------------	------------------------

SACC-M12-SCO NUT L 90 - Housing screw connection

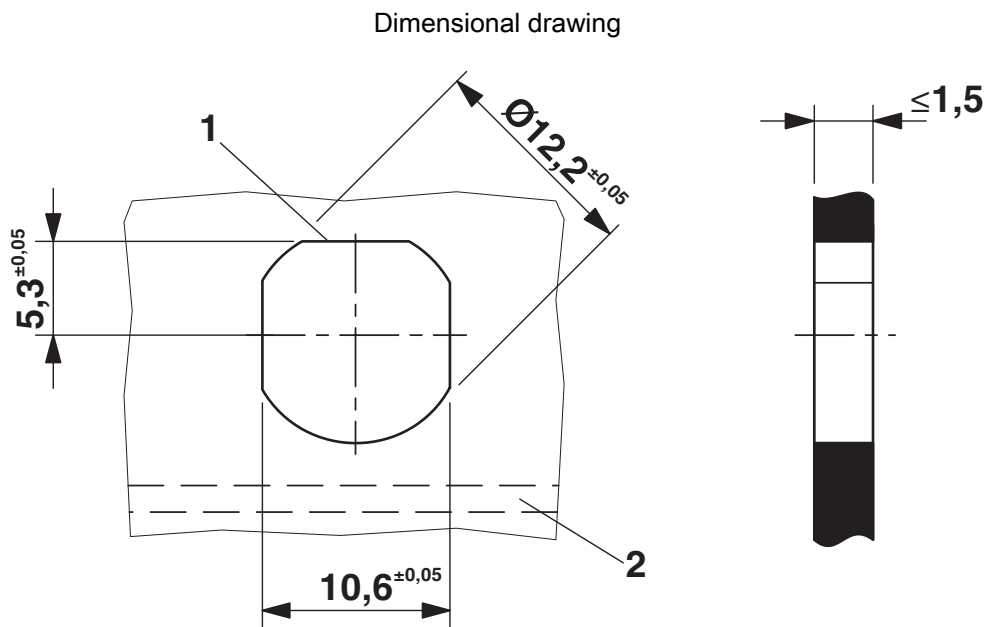
1432460

<https://www.phoenixcontact.com/in/products/1432460>

Drawings



Dimensional drawing



Housing cutout for M12 fastening thread, mounting panel with feed-through hole (alternative with surface as protection against rotation)

SACC-M12-SCO NUT L 90 - Housing screw connection



1432460

<https://www.phoenixcontact.com/in/products/1432460>

Approvals



EAC

Approval ID: B.01687

SACC-M12-SCO NUT L 90 - Housing screw connection



1432460

<https://www.phoenixcontact.com/in/products/1432460>

Classifications

ECLASS

ECLASS-11.0	27440102
ECLASS-12.0	27440116
ECLASS-13.0	27440116

ETIM

ETIM 8.0	EC002635
----------	----------

UNSPSC

UNSPSC 21.0	39121400
-------------	----------

SACC-M12-SCO NUT L 90 - Housing screw connection



1432460

<https://www.phoenixcontact.com/in/products/1432460>

Environmental Product Compliance

REACH SVHC	Lead 7439-92-1
China RoHS	Environmentally Friendly Use Period = 50 years
	For information on hazardous substances, refer to the manufacturer's declaration available under "Downloads"

Phoenix Contact 2023 © - all rights reserved

<https://www.phoenixcontact.com>

PHOENIX CONTACT (I) Pvt. Ltd.

A-58/2, Okhla Industrial Area, Phase - II, New Delhi-110 020

+91.1275.71420

info@phoenixcontact.co.in