

VS-04-2X2X26C7/7-SDA/OE/2,0 - Patch cable



1655784

<https://www.phoenixcontact.com/in/products/1655784>

Please be informed that the data shown in this PDF document is generated from our Online Catalog. Please find the complete data in the user documentation. Our General Terms of Use for Downloads are valid.



Assembled USB cable, shielded, color: RAL 5021 (water blue), PUR outer sheath, USB type A/standard on open cable end, length: 2 m

Commercial Data

Item number	1655784
Packing unit	1 pc
Minimum order quantity	1 pc
Sales Key	ABN
Product Key	ABNDBA
Catalog Page	Page 452 (C-2-2019)
GTIN	4017918993870
Weight per Piece (including packing)	137.3 g
Weight per Piece (excluding packing)	131 g
Customs tariff number	85444290
Country of origin	DE

VS-04-2X2X26C7/7-SDA/OE/2,0 - Patch cable



1655784

<https://www.phoenixcontact.com/in/products/1655784>

Technical Data

Product properties

Product type	Data plug
Number of positions	4
Shielded	yes

Insulation characteristics

Degree of pollution	2
---------------------	---

Electrical properties

Rated voltage (III/3)	125 V
Rated current	1 A
Transmission medium	Copper
Transmission speed	480 Mbps

Mechanical properties

Mechanical data

Insertion/withdrawal cycles	≥ 500
-----------------------------	-------

Material specifications

Housing material	PA
Outer sheath, material	PUR
Conductor material	Bare Cu litz wires

Connector

Connection 1

Type	Plug straight USB type A
------	--------------------------

Connection 2

Type	free cable end
------	----------------

Cable/line

Cable length	2.00 m
--------------	--------

FireWire [980]

Shielded	yes
Cable weight	59 kg/km
Cable type	FireWire
Cable type (abbreviation)	980
Signal type/category	USB CAT7, 480 Mbps FireWire CAT7, 400 Mbps
Cable structure	2x2xAWG26/7 + 2xAWG20/19; S/FTP
External cable diameter	6.7 mm

VS-04-2X2X26C7/7-SDA/OE/2,0 - Patch cable



1655784

<https://www.phoenixcontact.com/in/products/1655784>

Outer sheath, material	PUR
External sheath, color	water blue RAL 5021
Conductor material	Bare Cu litz wires
Conductor structure signal line	7x 0.15 mm
AWG signal line	26
Conductor structure, voltage supply	19x 0.20 mm
Conductor cross section	2x 2x 0.14 mm ² (Signal line)
AWG power supply	20
Material wire insulation	Cell PE (Signal line) PVC (Power supply)
Wire diameter incl. insulation	≤ 1.05 mm (Signal line) nom. 1.4 mm (Power supply)
Single wire, color	white-blue, white-orange, white, black
Twisted pairs	2 cores to the pair
Type of pair shielding	Aluminum-lined polyester foil
Overall twist	Two pairs and two power supply wires to the core
Shielding	Tinned copper braided shield
Nominal voltage, cable	≤ 125 V
Test voltage, cable	1000 V
Cable resistance	150 Ω/km
Cable insulation resistance	5 GΩ*km
Coupling resistance	5.00 mΩ/m (at 10 MHz)
Wave impedance	100 Ω ±5 % (at 100 MHz)
Working capacitance	42 pF (per meter)
Signal runtime	4.6 ns/m
Signal speed	0.72 c
Interference suppression	90 dB (up to 1000 MHz)
Tensile strength	≤ 30 N
Minimum bending radius, fixed installation	5 x D
Minimum bending radius, flexible installation	5 x D
Shield attenuation	60 dB (up to 1000 MHz)
Resistance to oil	in accordance with EN 60811-2-1
Flame resistance	complying with IEC 60332-2-2
Other resistance	Microbe resistance as per DIN VDE 0282 Hydrolysis resistance as per DIN 53504
Special properties	Free of substances which would hinder coating with paint or varnish
Ambient temperature (operation)	-10 °C ... 50 °C (Cable, flexible installation) -40 °C ... 70 °C (cable, fixed installation)

Environmental and real-life conditions

Ambient conditions

Degree of protection	IP20
	IP20

VS-04-2X2X26C7/7-SDA/OE/2,0 - Patch cable



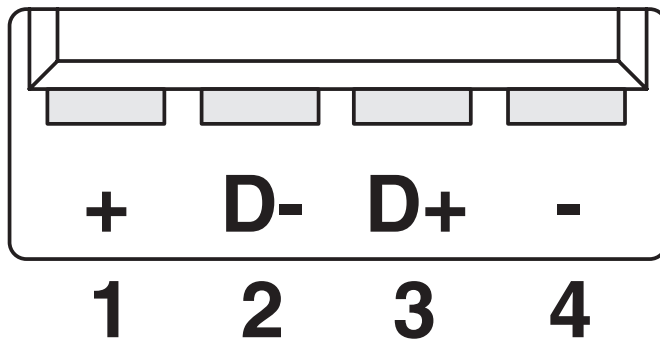
1655784

<https://www.phoenixcontact.com/in/products/1655784>

Ambient temperature (operation)	-20 °C ... 60 °C (cable, fixed installation)
	0 °C ... 50 °C (Cable, flexible installation)
	Plug / socket

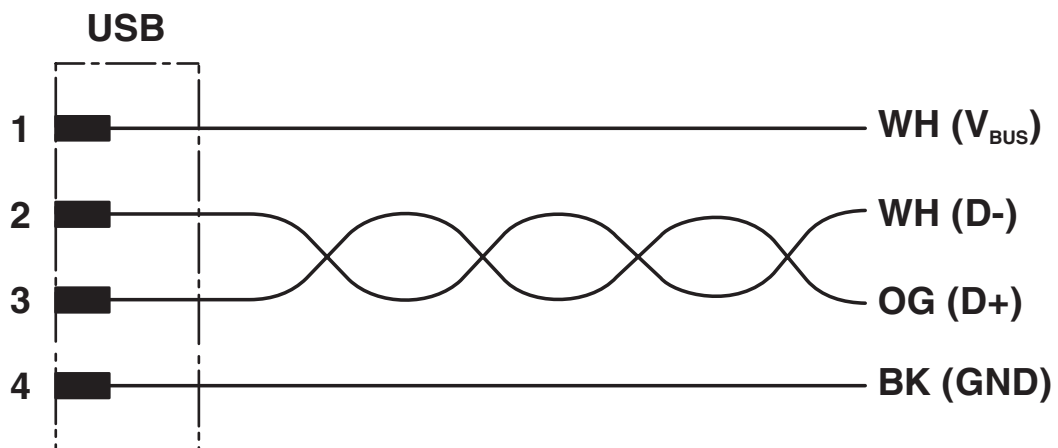
Drawings

Schematic diagram



Pin assignment plug USB, type A

Circuit diagram

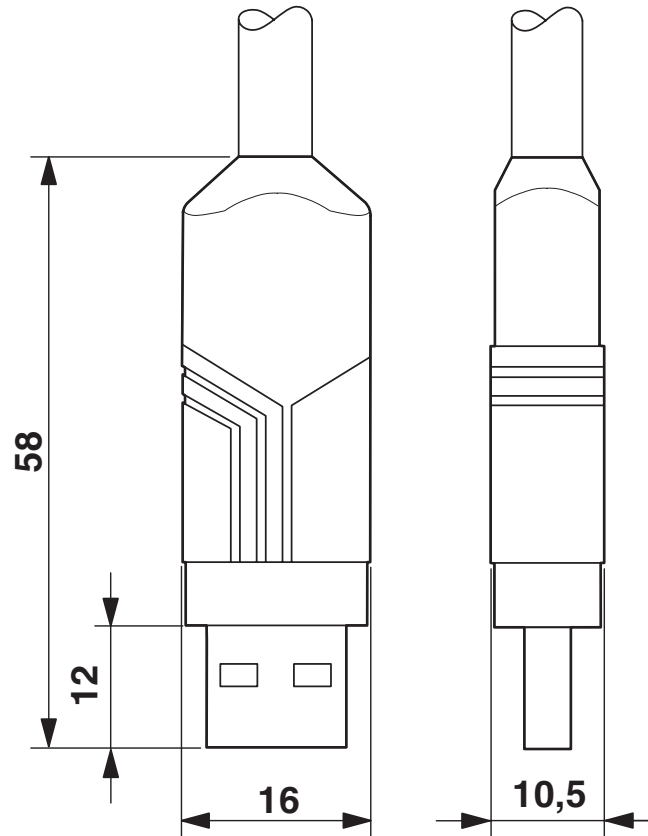


VS-04-2X2X26C7/7-SDA/OE/2,0 - Patch cable

1655784

<https://www.phoenixcontact.com/in/products/1655784>

Dimensional drawing



USB connector, type A, Standard

VS-04-2X2X26C7/7-SDA/OE/2,0 - Patch cable



1655784

<https://www.phoenixcontact.com/in/products/1655784>

Approvals



EAC

Approval ID: 19060508

VS-04-2X2X26C7/7-SDA/OE/2,0 - Patch cable



1655784

<https://www.phoenixcontact.com/in/products/1655784>

Classifications

ECLASS

ECLASS-11.0	27060390
ECLASS-12.0	27060390
ECLASS-13.0	27060390

ETIM

ETIM 8.0	EC000748
----------	----------

UNSPSC

UNSPSC 21.0	26121600
-------------	----------

VS-04-2X2X26C7/7-SDA/OE/2,0 - Patch cable



1655784

<https://www.phoenixcontact.com/in/products/1655784>

Environmental Product Compliance

China RoHS	Environmentally friendly use period: unlimited = EFUP-e
	No hazardous substances above threshold values

Phoenix Contact 2023 © - all rights reserved
<https://www.phoenixcontact.com>

PHOENIX CONTACT (I) Pvt. Ltd.
A-58/2, Okhla Industrial Area, Phase - II, New Delhi-110 020

+91.1275.71420
info@phoenixcontact.co.in