

EG 45-A/PC GN - Upper part of housing



2764878

<https://www.phoenixcontact.com/in/products/2764878>

Please be informed that the data shown in this PDF document is generated from our Online Catalog. Please find the complete data in the user documentation. Our General Terms of Use for Downloads are valid.

Housing cover, for connection on both sides



Your advantages

- Tool-free mounting

Commercial Data

Item number	2764878
Packing unit	20 pc
Minimum order quantity	20 pc
Sales Key	ACH
Product Key	ACHCGA
Catalog Page	Page 721 (C-1-2013)
GTIN	4017918119676
Weight per Piece (including packing)	15.6 g
Weight per Piece (excluding packing)	12.1 g
Customs tariff number	85389099
Country of origin	PL

EG 45-A/PC GN - Upper part of housing

2764878

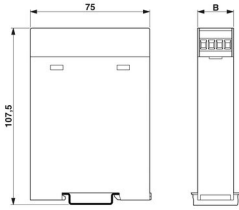
<https://www.phoenixcontact.com/in/products/2764878>

Technical Data

Product properties

Product type	Upper housing part
Product family	EG
Number of positions	16
Type	Cover, for two-sided connection
Housing type	Component housing
Ventilation openings present	no
Housing series	EG

Dimensions

Dimensional drawing	
Width	45 mm
Height	75 mm

PCB design

PCB thickness	1.4 mm ... 1.8 mm
---------------	-------------------

Material specifications

Color	green (6021)
Flammability rating according to UL 94	V0
Surface characteristics	untreated
Housing material	Polycarbonate

Environmental and real-life conditions

Ambient conditions

Degree of protection	IP20
Max. IP code to attain	IP20
Ambient temperature (operation)	-40 °C ... 105 °C (depending on power dissipation)
Ambient temperature (storage/transport)	-40 °C ... 70 °C
Ambient temperature (assembly)	-5 °C ... 100 °C

PCB data

Thickness of the PCB	1.4 mm ... 1.8 mm
----------------------	-------------------

Mounting

Mounting type	Snap in
---------------	---------

EG 45-A/PC GN - Upper part of housing

2764878

<https://www.phoenixcontact.com/in/products/2764878>



Mounting position

Vertical (horizontal DIN rail)

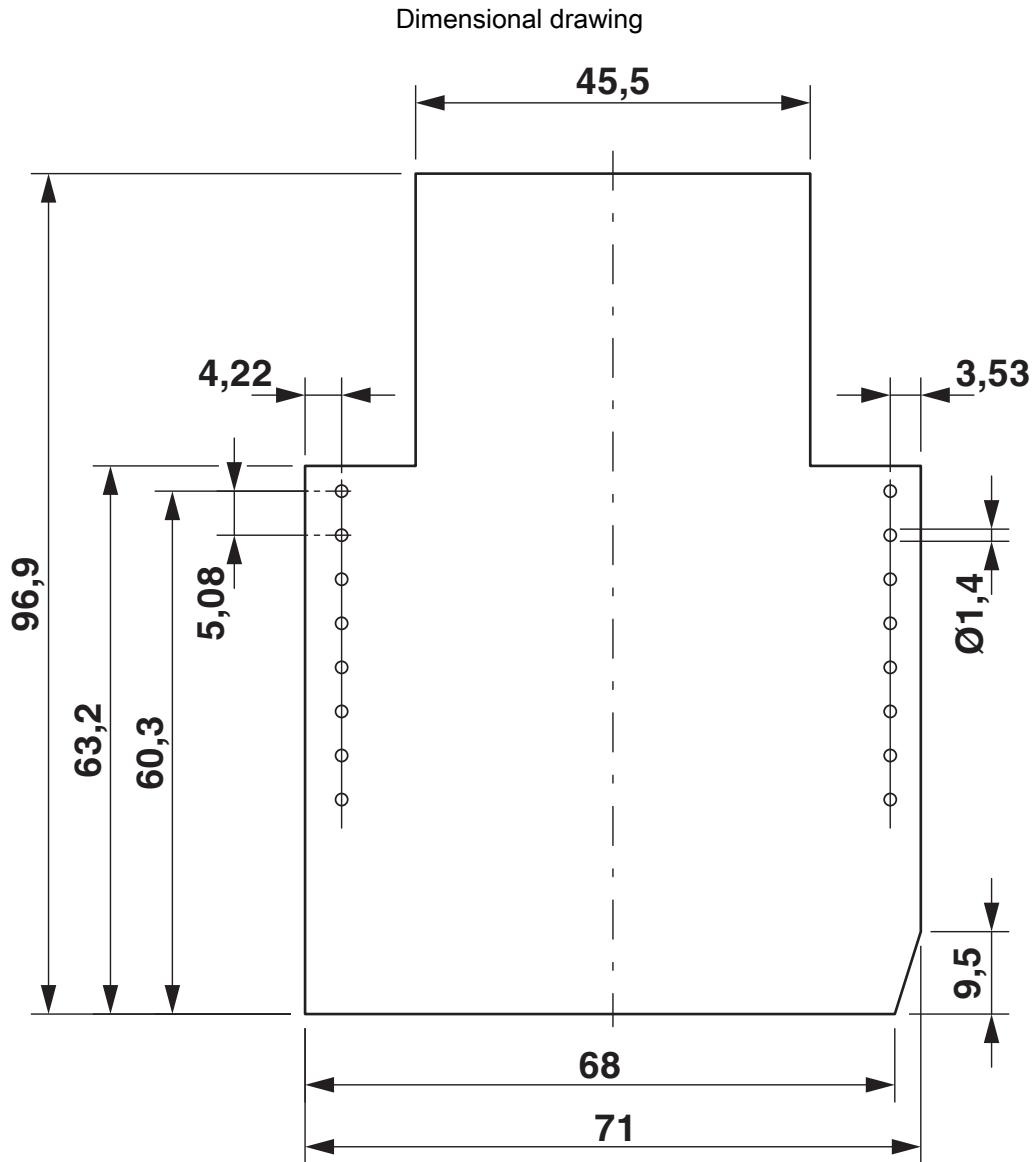
EG 45-A/PC GN - Upper part of housing



2764878

<https://www.phoenixcontact.com/in/products/2764878>

Drawings

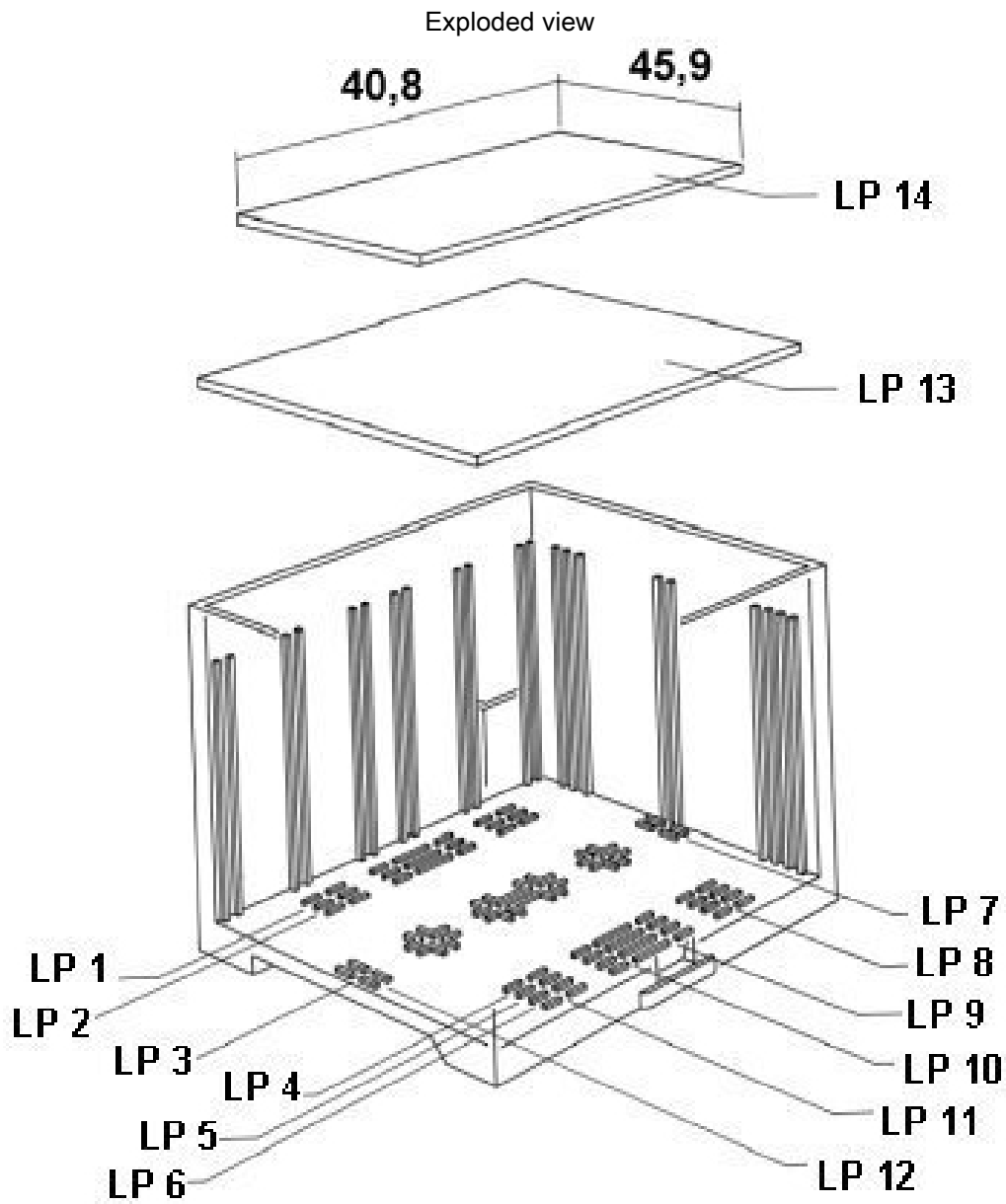


Component mounting side, if the double-level upper part is used

EG 45-A/PC GN - Upper part of housing

2764878

<https://www.phoenixcontact.com/in/products/2764878>



valid for PCB 14

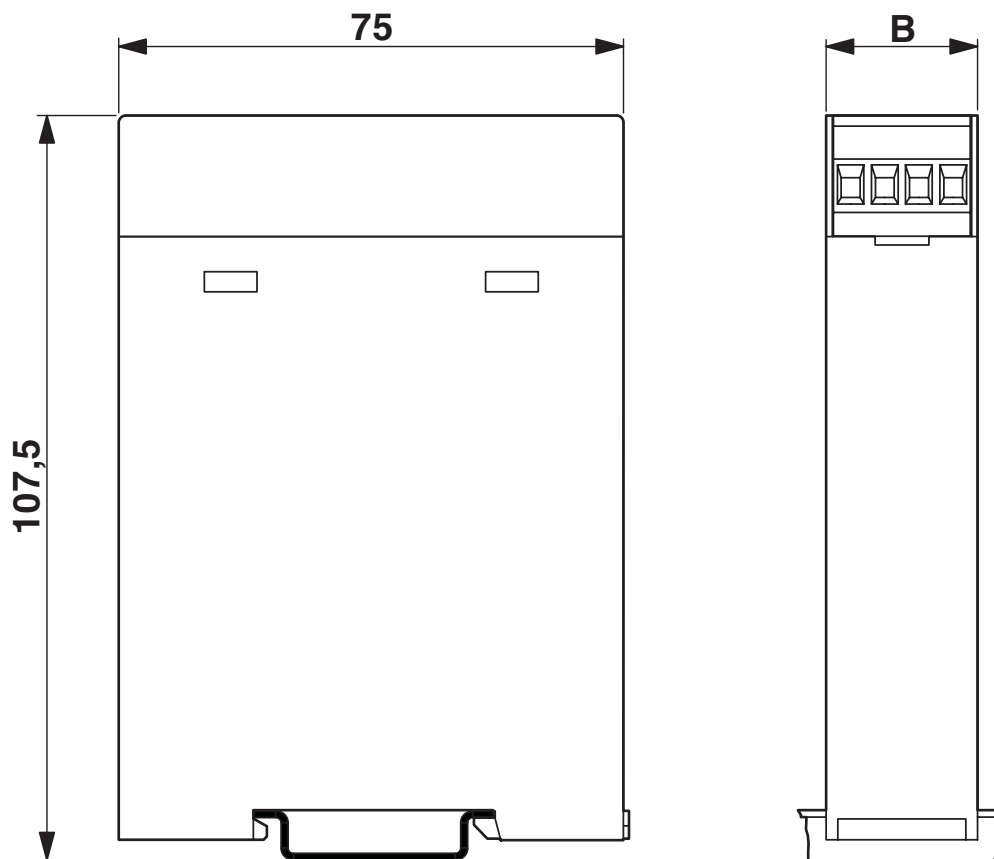
EG 45-A/PC GN - Upper part of housing

2764878

<https://www.phoenixcontact.com/in/products/2764878>



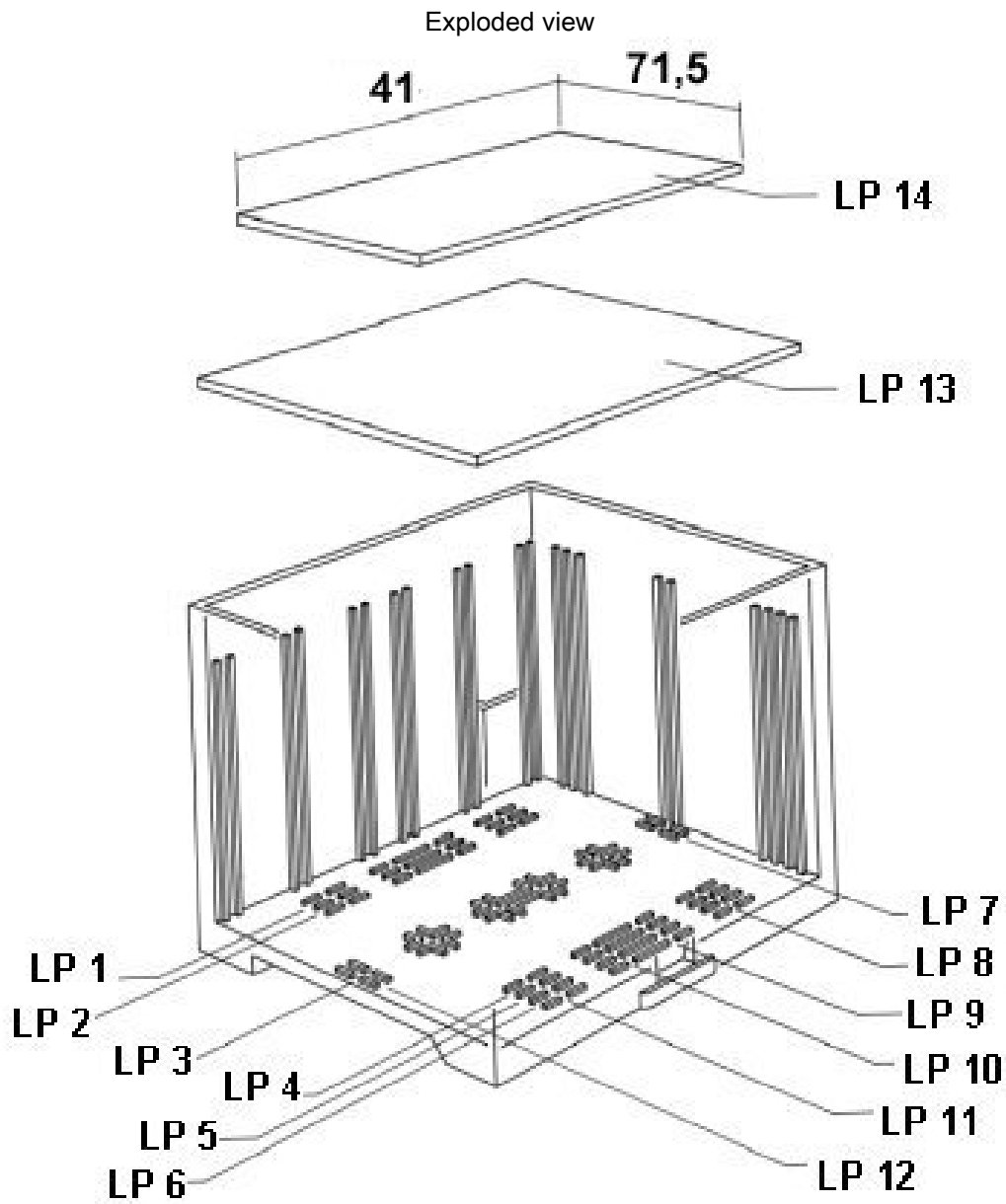
Dimensional drawing



EG 45-A/PC GN - Upper part of housing

2764878

<https://www.phoenixcontact.com/in/products/2764878>

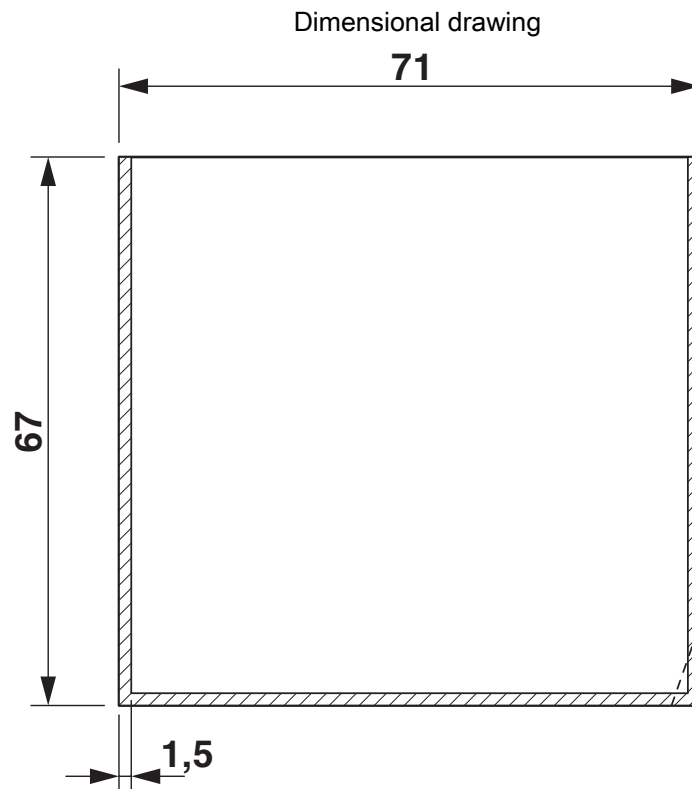


valid for PCB 13

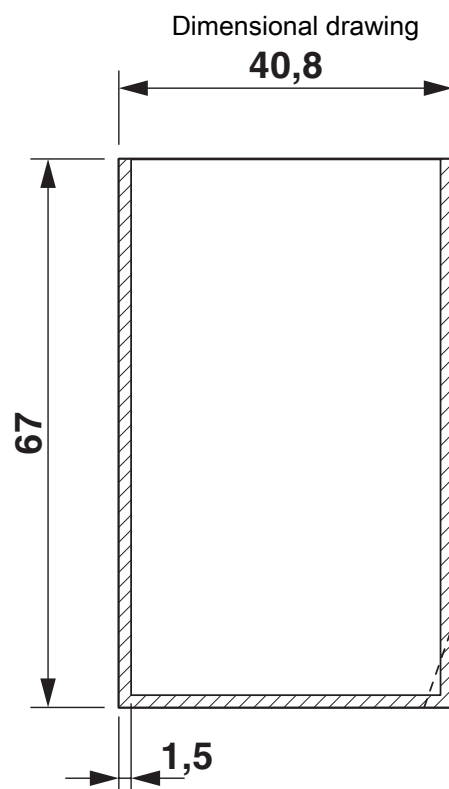
EG 45-A/PC GN - Upper part of housing

2764878

<https://www.phoenixcontact.com/in/products/2764878>



valid for PCB 7 and 12, see explosion drawing

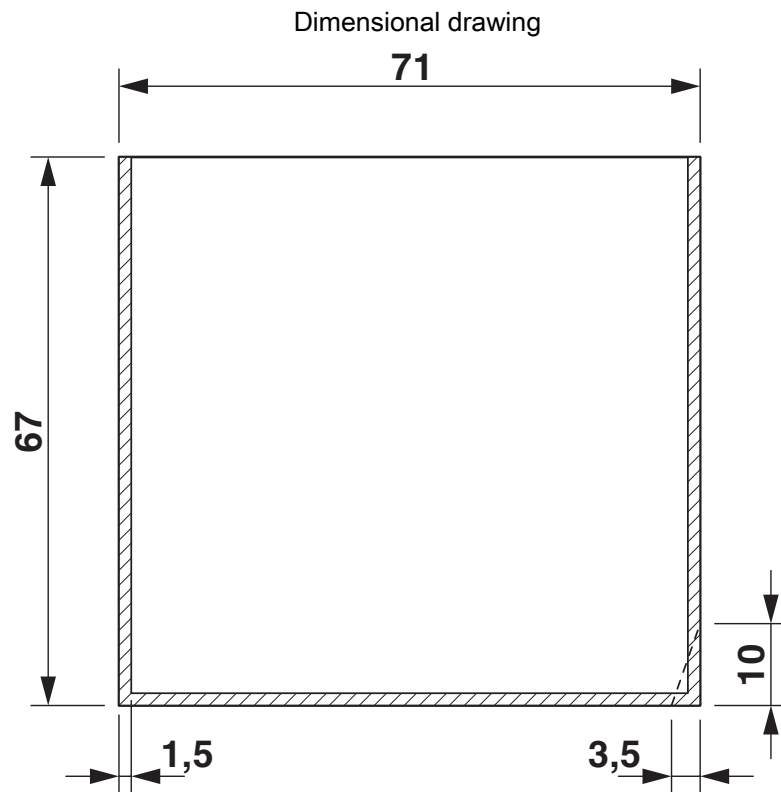


valid for PCB 1; 3; 5 and 6, see explosion drawing

EG 45-A/PC GN - Upper part of housing

2764878

<https://www.phoenixcontact.com/in/products/2764878>



valid for PCB 10, see explosion drawing

EG 45-A/PC GN - Upper part of housing



2764878

<https://www.phoenixcontact.com/in/products/2764878>

Approvals



EAC

Approval ID: B.01687



UL Recognized

Approval ID: FILE E 240868

EG 45-A/PC GN - Upper part of housing



2764878

<https://www.phoenixcontact.com/in/products/2764878>

Classifications

ECLASS

ECLASS-11.0

27182702

ETIM

ETIM 8.0

EC001031

UNSPSC

UNSPSC 21.0

31261500

EG 45-A/PC GN - Upper part of housing



2764878

<https://www.phoenixcontact.com/in/products/2764878>

Environmental Product Compliance

China RoHS	Environmentally friendly use period: unlimited = EFUP-e
	No hazardous substances above threshold values

Phoenix Contact 2023 © - all rights reserved
<https://www.phoenixcontact.com>

PHOENIX CONTACT (I) Pvt. Ltd.
A-58/2, Okhla Industrial Area, Phase - II, New Delhi-110 020

+91.1275.71420
info@phoenixcontact.co.in