

NOTES

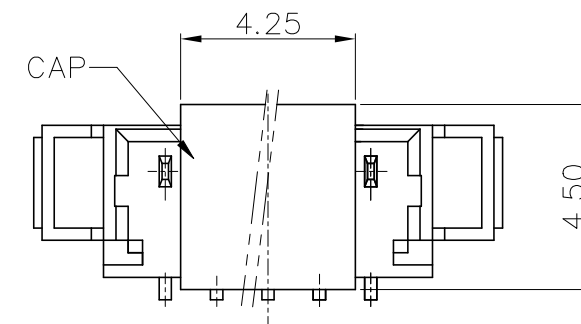
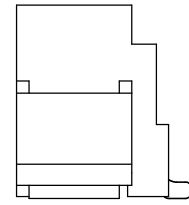
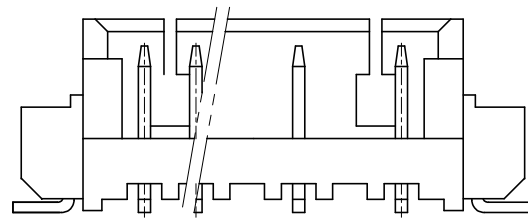
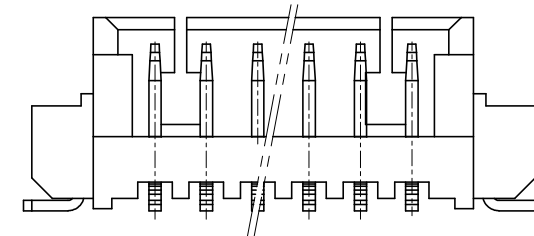
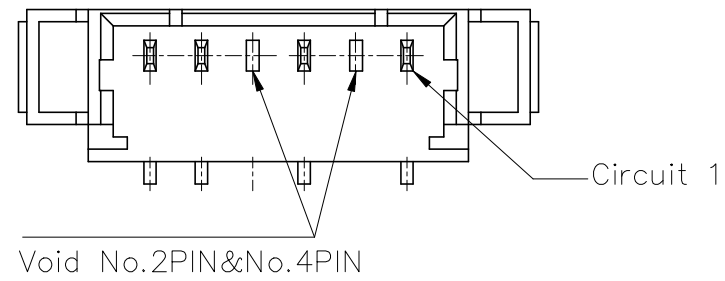
- SPECIFICATIONS
 Current Rating: 1A AC,DC
 Voltage Rating: 125V AC,DC
 Temperature Range: -40°C ~ +105°C
 Contact Resistance: 20mΩ Max.
 Insulation Resistance: 100MΩ Min.
 Withstanding Voltage: 500V AC/minute
- Material & finish:
 Housing: Thermoplastic, UL94V-0
 Contact and metal hold-down: Phosphor Bronze
 Plating of contact area: Matte Tin or gold plating over Nickel
 Plating of solder area: Tin plated over Nickel
 Plating of hold-down: Matte Tin over Nickel
- Crimping application hand tool P/N: 10118656-1000
- Ordering Information & Dimensions:
 10114828- X X X XX X LF
 Material _____
 1: Natural LCP
 2: Black LCP
 VOID: NORMAL
 1: SEE SHEET 2(VOID 2&4 PIN)
 Pin counts from 02~15
 Packaging
 1: Tape & Reel
 2: Tape & Reel+ Cap(sheet 2)

Plating _____
 0: 120u" Matte Tin
 1: Gold Flash
 3: Gold 30u"

Part No.	Dimensions					
	POS	A	B	C	D	E
10114828-xxx02LF	2	4.25	1.25±0.10	4.94	3.05	7.25
10114828-xxx03LF	3	5.50	2.50±0.10	6.19	4.30	8.50
10114828-xxx04LF	4	6.75	3.75±0.10	7.44	5.55	9.75
10114828-xxx05LF	5	8.00	5.00±0.10	8.69	6.80	11.00
10114828-xxx06LF	6	9.25	6.25±0.15	9.94	8.05	12.25
10114828-xxx07LF	7	10.50	7.50±0.15	11.19	9.30	13.50
10114828-xxx08LF	8	11.75	8.75±0.15	12.44	10.55	14.75
10114828-xxx09LF	9	13.00	10.00±0.15	13.69	11.80	16.00
10114828-xxx10LF	10	14.25	11.25±0.20	14.94	13.05	17.25
10114828-xxx11LF	11	15.50	12.50±0.20	16.19	14.30	18.50
10114828-xxx12LF	12	16.75	13.75±0.20	17.44	15.55	19.75
10114828-xxx13LF	13	18.00	15.00±0.20	18.69	16.80	21.00
10114828-xxx14LF	14	19.25	16.25±0.20	19.94	18.05	22.25
10114828-xxx15LF	15	20.50	17.50±0.20	21.19	19.30	23.50

ITEM	MATERIAL	DESCRIPTION
1	THERMOPLASTIC HIGH TEMPERATURE	HOUSING
2	COPPER ALLOY	TERMINAL
3	COPPER ALLOY	HOLD DOWN

mat'l. code	surface ISO 1302	tolerance ISO 406/ISO 1101	projection	product family
ltr	ecn no	dr	date	title
L	ELX-N-47289	JH	2023/01/17	WTB 1.25MM WAFER 180° SMT
	angles	linear	mm	
	0°±2'	.0±.5	scale 1:1	
		.00±.25		
		.000±.010		
dr	Jeffrey.Huang	-		dwg no
enr	Jeffrey.Huang	-		sheet1 of 2
chr	TIM YAO	-		size
appd	TIM YAO	-		A4
sheet index	revision	L		type
	sheet	1~2		Product Customer Drawing



ASSEMBLY CAP

10114828-XXXXX1LF

mat'l. code				surface ISO 1302 <input checked="" type="checkbox"/>		tolerance ISO 406/ISO 1101		projection 		product family -			
ltr				ecn no		dr		date		tolerances unless otherwise specified		title	
L				ELX-N-47289		JH		2023/01/17		.0±.5		WTB 1.25MM WAFER 180° SMT	
								angles		linear		mm	
								0°±2'		.00±.25		scale 1:1	
										.000±.010		dwg no	
								dr		Jeffrey.Huang		sheet2 of 2	
								engr		Jeffrey.Huang		size	
								chr		TIM YAO		10114828	
								appd		TIM YAO		A4	
												type	
												Product Customer Drawing	
sheet index		revision sheet		L		1~2							