

UM 45-SEFE - Lateral element

2907826

<https://www.phoenixcontact.com/in/products/2907826>

Please be informed that the data shown in this PDF document is generated from our Online Catalog. Please find the complete data in the user documentation. Our General Terms of Use for Downloads are valid.



Side element with foot, labeling with SS-ZB, mounted along the length of the DIN rail NS 35/7.5.
Height: 36 mm, width: 10 mm, length: 45 mm.

Your advantages

- Easy installation
- Flexible size and shape
- Inexpensive as a result of reducing the number of separate housing parts

Commercial Data

Item number	2907826
Packing unit	10 pc
Minimum order quantity	10 pc
Sales Key	ACH
Product Key	ACHDBA
Catalog Page	Page 755 (C-1-2013)
GTIN	4017918147976
Weight per Piece (including packing)	4.92 g
Weight per Piece (excluding packing)	4.55 g
Customs tariff number	39269097
Country of origin	PL

UM 45-SEFE - Lateral element

2907826

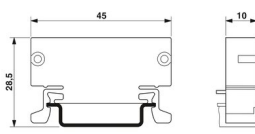
<https://www.phoenixcontact.com/in/products/2907826>

Technical Data

Product properties

Product type	Panel mounting base side part
Product family	UM45
Type	Lateral element
Housing type	Press-drawn section housings
Ventilation openings present	no
Housing series	UM

Dimensions

Dimensional drawing	
Depth	45 mm

Material specifications

Color	green (6021)
Flammability rating according to UL 94	V0
Surface characteristics	untreated
Housing material	Polyamide

UM 45-SEFE - Lateral element

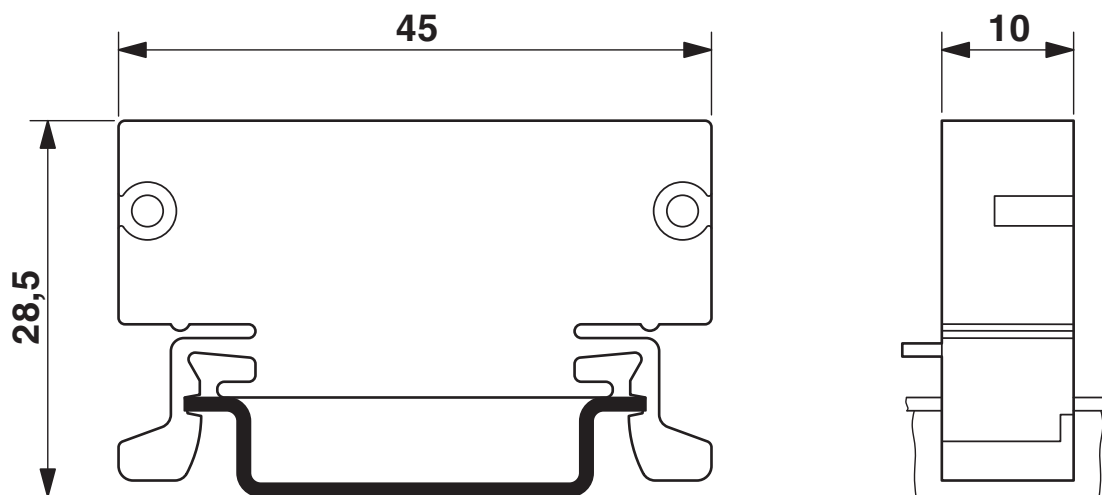
2907826

<https://www.phoenixcontact.com/in/products/2907826>



Drawings

Dimensional drawing



UM 45-SEFE - Lateral element



2907826

<https://www.phoenixcontact.com/in/products/2907826>

Approvals



EAC

Approval ID: B.01687



UL Recognized

Approval ID: FILE E 240868

UM 45-SEFE - Lateral element



2907826

<https://www.phoenixcontact.com/in/products/2907826>

Classifications

ECLASS

ECLASS-11.0

27182701

ETIM

ETIM 8.0

EC002779

UNSPSC

UNSPSC 21.0

31261500

UM 45-SEFE - Lateral element



2907826

<https://www.phoenixcontact.com/in/products/2907826>

Environmental Product Compliance

China RoHS	Environmentally friendly use period: unlimited = EFUP-e
	No hazardous substances above threshold values

Phoenix Contact 2023 © - all rights reserved
<https://www.phoenixcontact.com>

PHOENIX CONTACT (I) Pvt. Ltd.
A-58/2, Okhla Industrial Area, Phase - II, New Delhi-110 020

+91.1275.71420
info@phoenixcontact.co.in