

PTSM 0,5/ 2-HV-2,5-THR R32 - PCB header



1778557

<https://www.phoenixcontact.com/in/products/1778557>

Please be informed that the data shown in this PDF document is generated from our Online Catalog. Please find the complete data in the user documentation. Our General Terms of Use for Downloads are valid.



PCB headers, nominal cross section: 0.5 mm², color: black, nominal current: 6 A, rated voltage (III/2): 160 V, contact surface: Tin, type of contact: Pin, number of potentials: 2, number of rows: 1, number of positions: 2, number of connections: 2, product range: PTSM 0,5/..-HV-THR, pitch: 2.5 mm, mounting: THR soldering, pin layout: Linear pinning, solder pin [P]: 2 mm, number of solder pins per potential: 1, plug-in system: COMBICON PTSM, Pin connector pattern alignment: Standard, locking: without, mounting: without, type of packaging: 32 mm wide tape

Your advantages

- Designed for integration into the SMT soldering process
- Supplied in tape-on-reel packing according to IEC 60286-3 for automated mounting
- Vertical connection enables multi-row arrangement on the PCB

Commercial Data

| | |
|--------------------------------------|--------------------|
| Item number | 1778557 |
| Packing unit | 330 pc |
| Minimum order quantity | 330 pc |
| Sales Key | AAA |
| Product Key | AAATPD |
| Catalog Page | Page 59 (C-1-2013) |
| GTIN | 4046356529723 |
| Weight per Piece (including packing) | 1.774 g |
| Weight per Piece (excluding packing) | 1.739 g |
| Customs tariff number | 85366930 |
| Country of origin | CN |

1778557

<https://www.phoenixcontact.com/in/products/1778557>

Technical Data

Product properties

| | |
|---------------------------|--|
| Type | Component suitable for through hole reflow |
| Product line | COMBICON Connectors XS |
| Product type | PCB headers |
| Product family | PTSM 0,5/...-HV-THR |
| Number of positions | 2 |
| Pitch | 2.5 mm |
| Number of connections | 2 |
| Number of rows | 1 |
| Mounting flange | without |
| Number of potentials | 2 |
| Pin layout | Linear pinning |
| Solder pins per potential | 1 |

Electrical properties

| | |
|-----------------------------|--------|
| Nominal current I_N | 6 A |
| Nominal voltage U_N | 160 V |
| Degree of pollution | 3 |
| Contact resistance | 3 mΩ |
| Rated voltage (III/3) | 50 V |
| Rated surge voltage (III/3) | 2.5 kV |
| Rated voltage (III/2) | 160 V |
| Rated surge voltage (III/2) | 2.5 kV |
| Rated voltage (II/2) | 160 V |
| Rated surge voltage (II/2) | 2.5 kV |

Mounting

| | |
|---------------|----------------|
| Mounting type | THR soldering |
| Pin layout | Linear pinning |

Processing notes

| | |
|----------------------------------|-----------------------|
| Process | Reflow/wave soldering |
| Moisture Sensitive Level | MSL 1 |
| Classification temperature T_c | 260 °C |
| Solder cycles in the reflow | 3 |

Material specifications

Material data - contact

| | |
|-------------------------|--|
| Note | WEEE/RoHS-compliant, free of whiskers according to IEC 60068-2-82/JEDEC JESD 201 |
| Contact material | Cu alloy |
| Surface characteristics | Tin-plated |

PTSM 0,5/ 2-HV-2,5-THR R32 - PCB header



1778557

<https://www.phoenixcontact.com/in/products/1778557>

| | |
|---|------------------------|
| Metal surface contact area (top layer) | Tin (3 - 5 µm Sn) |
| Metal surface contact area (middle layer) | Nickel (1.3 - 3 µm Ni) |
| Metal surface soldering area (top layer) | Tin (3 - 5 µm Sn) |
| Metal surface soldering area (middle layer) | Nickel (1.3 - 3 µm Ni) |

Material data - housing

| | |
|--|--------------|
| Color (Housing) | black (9005) |
| Insulating material | LCP |
| Insulating material group | IIIa |
| CTI according to IEC 60112 | 175 |
| Flammability rating according to UL 94 | V0 |

Material data – actuating element

| | |
|-----------|-----|
| Color () | () |
|-----------|-----|

Dimensions

| | |
|-----------------------|--------|
| Dimensional drawing | |
| Pitch | 2.5 mm |
| Width [w] | 6.7 mm |
| Height [h] | 9.5 mm |
| Length [l] | 5 mm |
| Installed height | 7.5 mm |
| Solder pin length [P] | 2 mm |

Mechanical tests

Test for conductor damage and slackening

| | |
|---------------|---------------------|
| Specification | IEC 60999-1:1999-11 |
| Result | Test passed |

Repeated connection and disconnection

| | |
|---------------|---------------------|
| Specification | IEC 60999-1:1999-11 |
| Result | Test passed |

Pull-out test

| | |
|---|--|
| Specification | IEC 60999-1:1999-11 |
| Conductor cross section/conductor type/tractive force setpoint/actual value | 0.14 mm ² / solid / > 10 N |
| | 0.2 mm ² / flexible / > 10 N |
| | 0.5 mm ² / solid / > 20 N |
| | 0.75 mm ² / flexible / > 30 N |

Insertion and withdrawal forces

1778557

<https://www.phoenixcontact.com/in/products/1778557>

| | |
|-------------------------------------|-------------|
| Result | Test passed |
| No. of cycles | 10 |
| Insertion strength per pos. approx. | 5 N |
| Withdraw strength per pos. approx. | 4 N |

Contact holder in insert

| | |
|--|------------------------|
| Specification | IEC 60512-15-1:2008-05 |
| Contact holder in insert Requirements >20 N | Test passed |

Resistance of inscriptions

| | |
|---------------|------------------------|
| Specification | IEC 60068-2-70:1995-12 |
| Result | Test passed |

Polarization and coding

| | |
|---------------|------------------------|
| Specification | IEC 60512-13-5:2006-02 |
| Result | Test passed |

Visual inspection

| | |
|---------------|-----------------------|
| Specification | IEC 60512-1-1:2002-02 |
| Result | Test passed |

Dimension check

| | |
|---------------|-----------------------|
| Specification | IEC 60512-1-2:2002-02 |
| Result | Test passed |

Electrical tests

Thermal test | Test group C

| | |
|----------------------------|-----------------------|
| Specification | IEC 60512-5-1:2002-02 |
| Tested number of positions | 8 |

Insulation resistance

| | |
|--|-----------------------|
| Specification | IEC 60512-3-1:2002-02 |
| Insulation resistance, neighboring positions | > 5 MΩ |

Temperature cycles

| | |
|---------------|---------------------|
| Specification | IEC 60999-1:1999-11 |
| Result | Test passed |

Air clearances and creepage distances |

| | |
|--|---------------------|
| Specification | IEC 60664-1:2007-04 |
| Insulating material group | IIIa |
| Comparative tracking index (IEC 60112) | CTI ≥175 to <400 |
| Rated insulation voltage (III/3) | 50 V |
| Rated surge voltage (III/3) | 2.5 kV |
| minimum clearance value - non-homogenous field (III/3) | 1.5 mm |
| minimum creepage distance (III/3) | 1.9 mm |

PTSM 0,5/ 2-HV-2,5-THR R32 - PCB header



1778557

<https://www.phoenixcontact.com/in/products/1778557>

| | |
|--|--------|
| Rated insulation voltage (III/2) | 160 V |
| Rated surge voltage (III/2) | 2.5 kV |
| minimum clearance value - non-homogenous field (III/2) | 1.5 mm |
| minimum creepage distance (III/2) | 1.6 mm |
| Rated insulation voltage (II/2) | 160 V |
| Rated surge voltage (II/2) | 2.5 kV |
| minimum clearance value - non-homogenous field (II/2) | 1.5 mm |
| minimum creepage distance (II/2) | 1.6 mm |

Environmental and real-life conditions

Vibration test

| | |
|------------------------|-----------------------------|
| Specification | IEC 60068-2-6:2007-12 |
| Frequency | 10 - 150 - 10 Hz |
| Sweep speed | 1 octave/min |
| Amplitude | 0.35 mm (10 Hz ... 60.1 Hz) |
| Sweep speed | 5g (60.1 Hz ... 150 Hz) |
| Test duration per axis | 2.5 h |

Durability test

| | |
|--|-----------------------|
| Specification | IEC 60512-9-1:2010-03 |
| Impulse withstand voltage at sea level | 2.95 kV |
| Contact resistance R_1 | 3 m Ω |
| Contact resistance R_2 | 4 m Ω |
| Insertion/withdrawal cycles | 10 |

Climatic test

| | |
|-----------------------------------|---|
| Specification | ISO 6988:1985-02 |
| Corrosive stress | 0.2 dm ³ SO ₂ on 300 dm ³ /40 °C/1 cycle |
| Thermal stress | 100 °C/168 h |
| Power-frequency withstand voltage | 1.39 kV |

Ambient conditions

| | |
|---|---|
| Ambient temperature (operation) | -40 °C ... 100 °C (dependent on the derating curve) |
| Ambient temperature (storage/transport) | -40 °C ... 70 °C |
| Relative humidity (storage/transport) | 30 % ... 70 % |
| Ambient temperature (assembly) | -5 °C ... 100 °C |

Packaging specifications

| | |
|---------------------|-----------------|
| Dimensional drawing | |
| Type of packaging | 32 mm wide tape |

PTSM 0,5/ 2-HV-2,5-THR R32 - PCB header



1778557

<https://www.phoenixcontact.com/in/products/1778557>

| | |
|-----------------------------|--|
| [W] tape width | 32 mm |
| [W2] coil overall dimension | 38.4 mm |
| [A] coil diameter | 330 mm |
| Outer packaging type | Transparent-Bag |
| ESD level | (D) electrostatically conductive |
| Specification | DIN EN 61340-5-1 (VDE 0300-5-1): 2008-07 |

PTSM 0,5/ 2-HV-2,5-THR R32 - PCB header

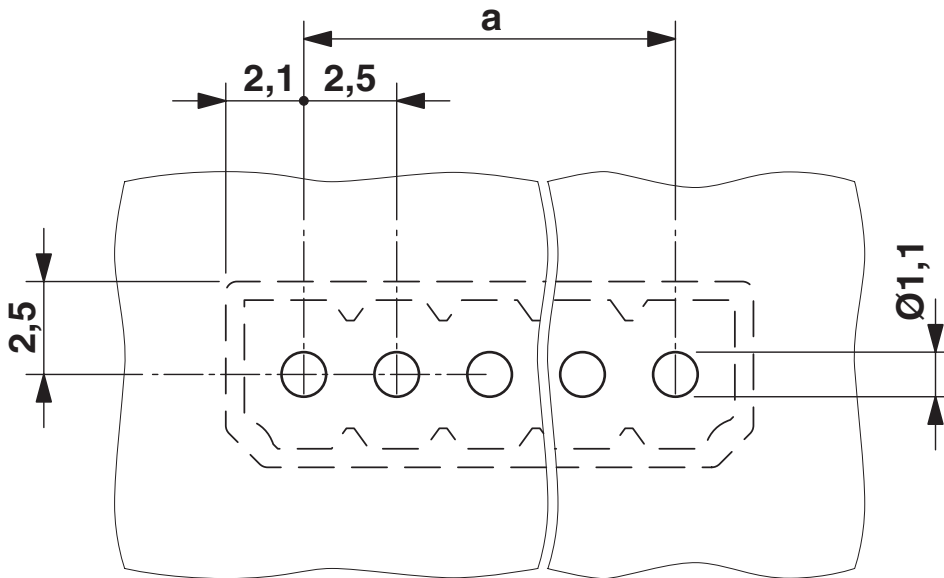


1778557

<https://www.phoenixcontact.com/in/products/1778557>

Drawings

Drilling plan/solder pad geometry



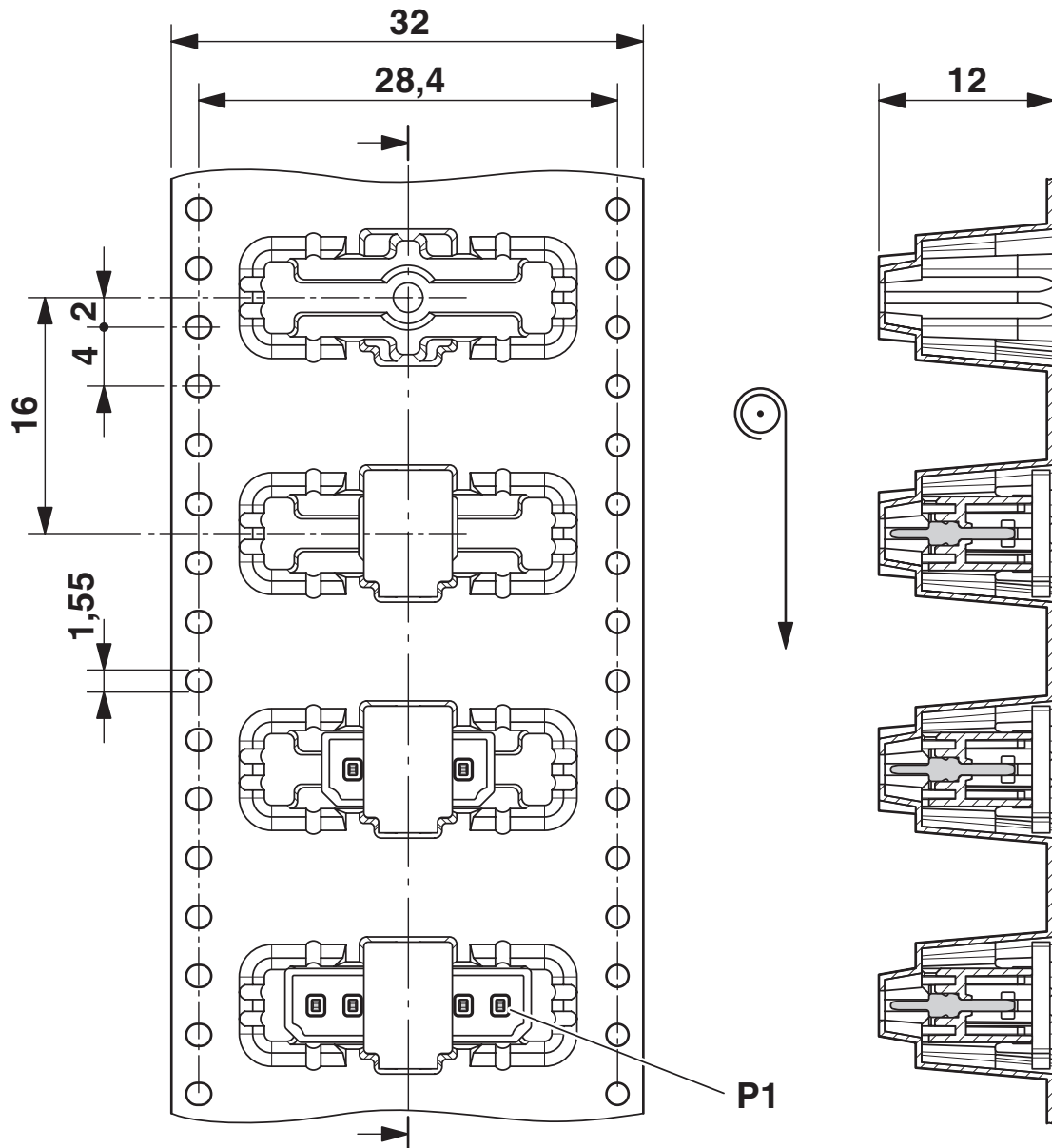
PTSM 0,5/ 2-HV-2,5-THR R32 - PCB header

1778557

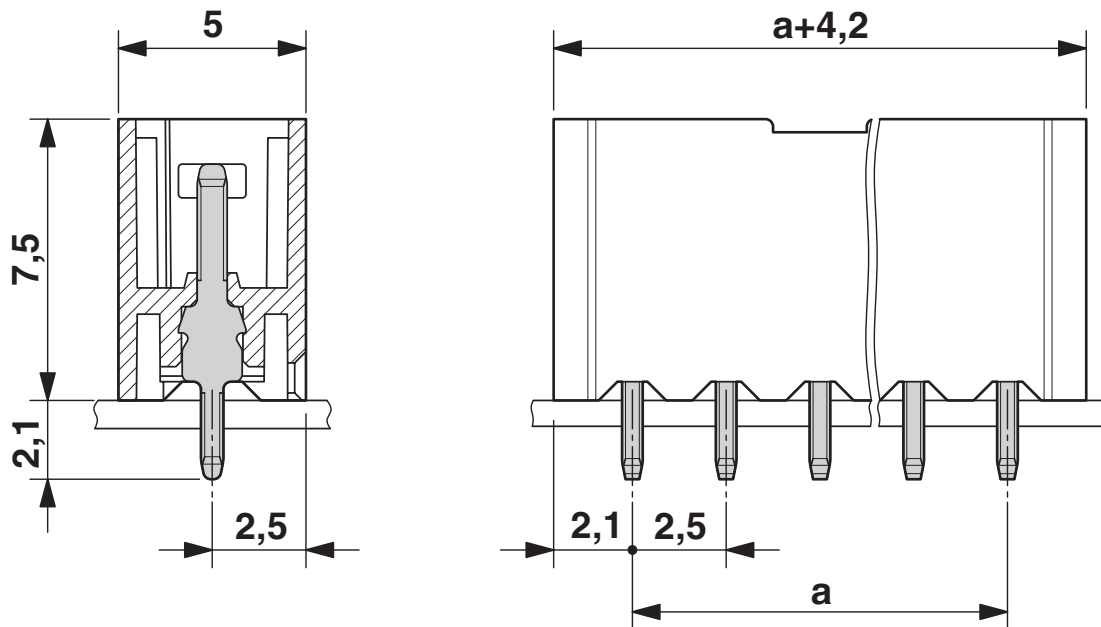
<https://www.phoenixcontact.com/in/products/1778557>



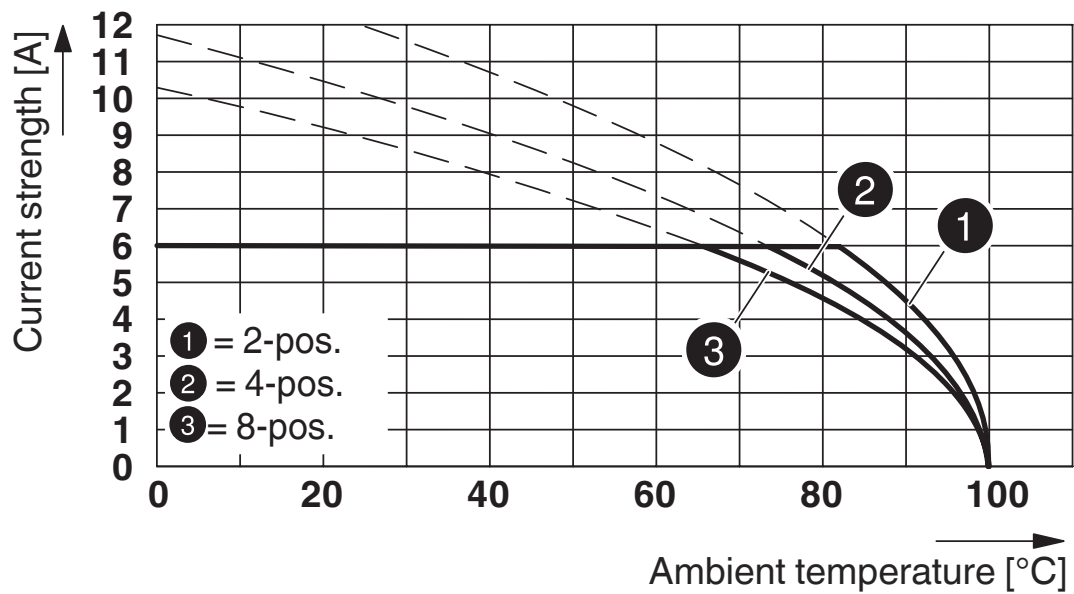
Dimensional drawing



Dimensional drawing



Diagram



Derating curve for: PTSM 0,5/...-P-2,5 with PTSM 0,5/...-HV-2,5-THR R...

PTSM 0,5/ 2-HV-2,5-THR R32 - PCB header




1778557

<https://www.phoenixcontact.com/in/products/1778557>

Approvals

| | | | | | |
|---|---|-----------------------|-------------------|-----------------------------|--|
|  | UL Recognized Approval ID: E118976-20130619 | | | | |
| | Nominal Voltage U_N | Nominal Current I_N | Cross Section AWG | Cross Section mm^2 | |
| | 150 V | 5 A | - | - | |

| | | | | | |
|---|------------------------------------|--|--|--|--|
|  | EAC Approval ID: B.01687 | | | | |
|---|------------------------------------|--|--|--|--|

| | | | | | |
|---|---|-----------------------|-------------------|-----------------------------|--|
|  | cULus Recognized Approval ID: E60425-20110108 | | | | |
| | Nominal Voltage U_N | Nominal Current I_N | Cross Section AWG | Cross Section mm^2 | |
| | 150 V | 6 A | - | - | |

PTSM 0,5/ 2-HV-2,5-THR R32 - PCB header



1778557

<https://www.phoenixcontact.com/in/products/1778557>

Classifications

ECLASS

| | |
|-------------|----------|
| ECLASS-11.0 | 27460201 |
| ECLASS-12.0 | 27460201 |
| ECLASS-13.0 | 27460201 |

ETIM

| | |
|----------|----------|
| ETIM 8.0 | EC002637 |
|----------|----------|

UNSPSC

| | |
|-------------|----------|
| UNSPSC 21.0 | 39121400 |
|-------------|----------|

PTSM 0,5/ 2-HV-2,5-THR R32 - PCB header



1778557

<https://www.phoenixcontact.com/in/products/1778557>

Environmental Product Compliance

| | |
|------------|---|
| China RoHS | Environmentally friendly use period: unlimited = EFUP-e |
| | No hazardous substances above threshold values |

PTSM 0,5/ 2-HV-2,5-THR R32 - PCB header



1778557

<https://www.phoenixcontact.com/in/products/1778557>

Accessories

PTSM 0,5/ 2-P-2,5 - Printed-circuit board connector

1778832

<https://www.phoenixcontact.com/in/products/1778832>



PCB connector, nominal cross section: 0.5 mm², color: black, nominal current: 6 A, rated voltage (III/2): 160 V, contact surface: Tin, type of contact: Socket, number of potentials: 2, number of rows: 1, number of positions: 2, number of connections: 2, product range: PTSM 0,5/..-P, pitch: 2.5 mm, connection method: Push-in spring connection, conductor/PCB connection direction: 0 °, plug-in system: COMBICON PTSM, locking: without, mounting: without, type of packaging: packed in cardboard

CAC-PTCM1015464/D - Cable

1084514

<https://www.phoenixcontact.com/in/products/1084514>



Assembled PCB connector / Connecting cable with 2 printed circuit board connectors, rated current: 6 A, cable length: Free input (0.1 ... 3.0 m), Head 1: 2-position , pitch: 2.5 mm , Crimp connection , Socket, Color: white, Cable type:Individual litz wire, PVC, AWG 22, white, Head 2: 2-position, pitch: 2.5 mm , Crimp connection , Socket, Color: white, Cable type:Individual litz wire, PVC, AWG 20, white, Individual litz wire, PVC, AWG 22, white

PTSM 0,5/ 2-HV-2,5-THR R32 - PCB header



1778557

<https://www.phoenixcontact.com/in/products/1778557>

CAC-PTCM1015464/1015242 - Assembled PCB connectors

1084533

<https://www.phoenixcontact.com/in/products/1084533>



Assembled PCB connector / Connecting cable with 2 printed circuit board connectors, rated current: 6 A, cable length: Free input (0.1 ... 3.0 m), Head 1: 2-position , pitch: 2.5 mm , Crimp connection , Socket, Color: white, Cable type: Individual litz wire, PVC, AWG 22, white, Head 2: 2-position, pitch: 2.5 mm , Crimp connection , Pin, Color: white, Cable type: Individual litz wire, PVC, AWG 20, white, Individual litz wire, PVC, AWG 22, white

Phoenix Contact 2023 © - all rights reserved

<https://www.phoenixcontact.com>

PHOENIX CONTACT (I) Pvt. Ltd.

A-58/2, Okhla Industrial Area, Phase - II, New Delhi-110 020

+91.1275.71420

info@phoenixcontact.co.in