

ST-3ES1N8A8004S - Cable connector



1607685

<https://www.phoenixcontact.com/in/products/1607685>

Please be informed that the data shown in this PDF document is generated from our Online Catalog. Please find the complete data in the user documentation. Our General Terms of Use for Downloads are valid.



Cable connector, straight, SPEEDCON, M17, number of positions: 3+PE, type of contact: Socket, shielded: yes, degree of protection: IP67, cable diameter range: 8 mm ... 10 mm, number of positions: 4, connection method: Crimp connection, series: ST, Alternative product in accordance with RoHS II without Exemption 6c (Pb <0.1%) item no.: 1242339

Your advantages

- Consistent EMC protection for reliable connection solutions in the industrial environment
- Crimping connection: vibration- and temperature-resistant assembly
- Flexible use: reliably connect various cable diameters
- Molded designs with pre-assembled cables on one or both sides

Commercial Data

Item number	1607685
Packing unit	1 pc
Minimum order quantity	1 pc
Sales Key	ABR
Product Key	ABRCAH
Catalog Page	Page 136 (C-2-2019)
GTIN	4046356273909
Weight per Piece (including packing)	72.3 g
Weight per Piece (excluding packing)	59.4 g
Customs tariff number	85366990
Country of origin	DE

Technical Data

Notes

Order information:	Order crimp contacts Ø 2 mm separately
--------------------	--

Safety note

Safety note	<p>WARNING: The connectors may not be plugged in or disconnected under load. Ignoring the warning or improper use may damage persons and/or property.</p>
	<ul style="list-style-type: none"> • WARNING: Commission properly functioning products only. The products must be regularly inspected for damage. Decommission defective products immediately. Replace damaged products. Repairs are not possible.
	<ul style="list-style-type: none"> • WARNING: Only electrically qualified personnel may install and operate the product. They must observe the following safety notes. The qualified personnel must be familiar with the basics of electrical engineering. They must be able to recognize and prevent danger. The relevant symbol on the packaging indicates that only personnel familiar with electrical engineering are allowed to install and operate the product.
	<ul style="list-style-type: none"> • The products are suitable for applications in plant, controller, and electrical device engineering.
	<ul style="list-style-type: none"> • When operating the connectors in outdoor applications, they must be separately protected against environmental influences.
	<ul style="list-style-type: none"> • Assembled products may not be manipulated or improperly opened.
	<ul style="list-style-type: none"> • Only use mating connectors that are specified in the technical data of the standards listed (e.g. the ones listed in the product accessories online at phoenixcontact.com/products).
	<ul style="list-style-type: none"> • When using the product in direct connection with third-party manufacturers, the user is responsible.
	<ul style="list-style-type: none"> • For operating voltages > 50 V AC, conductive connector housings must be grounded
	<ul style="list-style-type: none"> • Ensure that the protective or functional ground has been properly connected.
	<ul style="list-style-type: none"> • VDE 0100/1.97 § 411.1.3.2 and DIN EN 60 204/11.98 § 14.1.3 are applicable when combining several circuits in a cable and/or connector
	<ul style="list-style-type: none"> • Only use tools recommended by Phoenix Contact
	<ul style="list-style-type: none"> • The installation notes/Design In documents online on the download page at phoenixcontact.com/products must be observed for this product.
	<ul style="list-style-type: none"> • Operate the connector only when it is fully plugged in and interlocked.
<ul style="list-style-type: none"> • Ensure that when laying the cable, the tensile load on the connectors does not exceed the upper limit specified in the standards. 	
<ul style="list-style-type: none"> • Observe the minimum bending radius of the cable. Lay the cable without twisting it. 	
<ul style="list-style-type: none"> • The connector warms up in normal operation. Depending on the ambient conditions, the surface of the connector can continue to warm up. In this case, the user is responsible for posting 	

ST-3ES1N8A8004S - Cable connector



1607685

<https://www.phoenixcontact.com/in/products/1607685>

warnings (e.g. DIN EN ISO 13732-1:2008-12).

Product properties

Product type	Circular connector (cable-side)
Number of positions	4
Connection profile	3+PE
Application	Power
Locking type	SPEEDCON
Series	ST
Shielded	yes
Coding	N
Thread type	M17

Material specifications

Seal material	FPM
Housing material	Turned parts: copper zinc alloy (CuZn), die-cast parts: zinc (GD-Zn)
Insulator material	PA 6.6
Gasket and O-ring material	FPM
Housing material	Metal

Connection data

Conductor connection

Connection method	Crimp connection
-------------------	------------------

Electrical properties

Contact

Contact diameter	2 mm
Max. current	25 A
Nominal voltage U_N	630 V
Overvoltage category	III
Degree of pollution	3
Rated surge voltage	6 kV

Contact

Contact diameter	2 mm
------------------	------

Connector

Type	straight
Direction of rotation	Standard

Connection 1

Head design	Socket
-------------	--------

Cable/line

ST-3ES1N8A8004S - Cable connector



1607685

<https://www.phoenixcontact.com/in/products/1607685>

External cable diameter	8 mm ... 10 mm
-------------------------	----------------

Environmental and real-life conditions

Ambient conditions

Degree of protection	IP67
Ambient temperature (operation)	-40 °C ... 125 °C
Altitude	3000 m

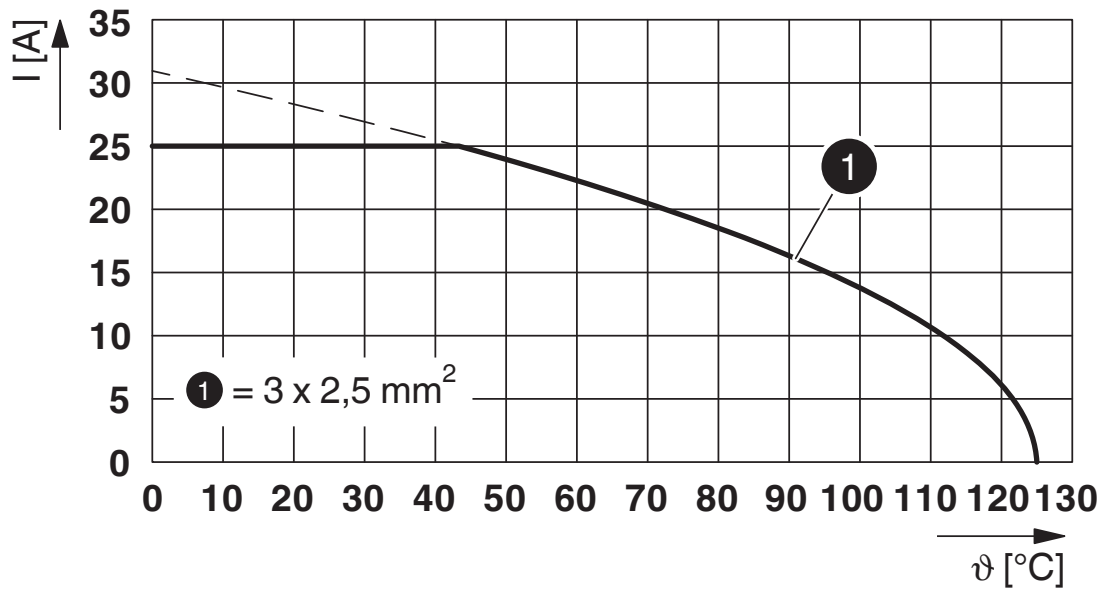
ST-3ES1N8A8004S - Cable connector

1607685

<https://www.phoenixcontact.com/in/products/1607685>

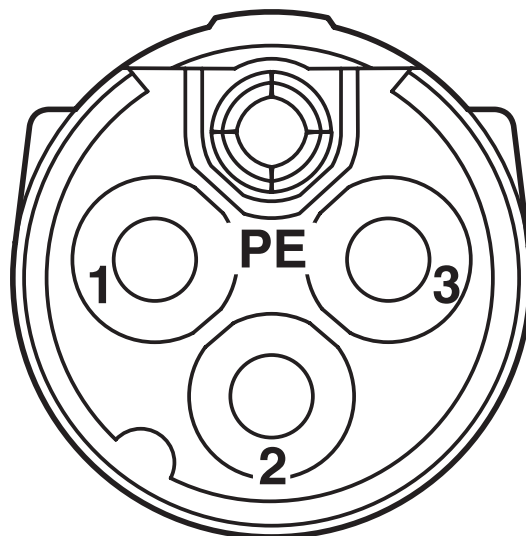
Drawings

Diagram



I = current strength, ϑ = ambient temperature, 3x 25 A

Schematic diagram



Connector pin assignment

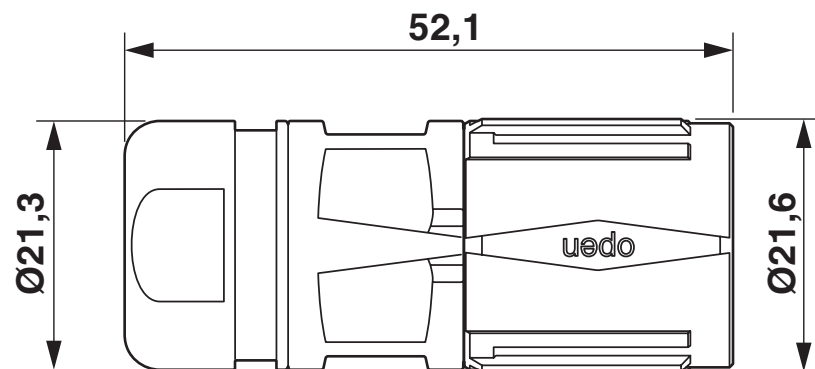
ST-3ES1N8A8004S - Cable connector

1607685

<https://www.phoenixcontact.com/in/products/1607685>



Dimensional drawing



ST-3ES1N8A8004S - Cable connector



1607685

<https://www.phoenixcontact.com/in/products/1607685>

Approvals



cUL Recognized
Approval ID: E335019-20111129



UL Recognized
Approval ID: E335019-20111129



EAC
Approval ID: B.01687



UL Listed
Approval ID: E468743-20210825

	Nominal Voltage U_N	Nominal Current I_N	Cross Section AWG	Cross Section mm^2
	600 V	20 A	-	- 14



cUL Listed
Approval ID: E468743-20210825

	Nominal Voltage U_N	Nominal Current I_N	Cross Section AWG	Cross Section mm^2
	600 V	18 A	- 14	-



UL Recognized
Approval ID: E153698-20140124



cUL Recognized
Approval ID: E153698-20140124

ST-3ES1N8A8004S - Cable connector



1607685

<https://www.phoenixcontact.com/in/products/1607685>

Classifications

ECLASS

ECLASS-11.0	27440102
ECLASS-12.0	27440116
ECLASS-13.0	27440116

ETIM

ETIM 8.0	EC002635
----------	----------

UNSPSC

UNSPSC 21.0	39121400
-------------	----------

ST-3ES1N8A8004S - Cable connector



1607685

<https://www.phoenixcontact.com/in/products/1607685>

Environmental Product Compliance

REACH SVHC	Lead 7439-92-1
China RoHS	Environmentally Friendly Use Period = 50 years
	For information on hazardous substances, refer to the manufacturer's declaration available under "Downloads"

ST-3ES1N8A8004S - Cable connector



1607685

<https://www.phoenixcontact.com/in/products/1607685>

Accessories

ST-20KS010 - Crimp contact

1607657

<https://www.phoenixcontact.com/in/products/1607657>



Crimp contact, Socket, turned, contact diameter: 2 mm, crimp range: 0.25 mm² .. 1 mm², Alternative product in accordance with RoHS II without Exemption 6c (Pb <0.1%) item no.: 1237423

ST-20KS020 - Crimp contact

1607658

<https://www.phoenixcontact.com/in/products/1607658>



Crimp contact, Socket, turned, Single contact, contact diameter: 2 mm, crimp range: 1 mm² ... 2.5 mm², Alternative product in accordance with RoHS II without Exemption 6c (Pb <0.1%) item no.: 1237423

ST-3ES1N8A8004S - Cable connector

1607685

<https://www.phoenixcontact.com/in/products/1607685>



ST-Z0007 - Protective cap

1607777

<https://www.phoenixcontact.com/in/products/1607777>



Plastic protection cap for connectors with M17 knurled nut and M17 SPEEDCON knurled nut

ST-Z0016 - Color-coding

1617993

<https://www.phoenixcontact.com/in/products/1617993>



Color-coding, color: green

ST-3ES1N8A8004S - Cable connector

1607685

<https://www.phoenixcontact.com/in/products/1607685>



ST-Z0017 - Color-coding

1618049

<https://www.phoenixcontact.com/in/products/1618049>

Color-coding, color: orange



ST-Z0018 - Color-coding

1618050

<https://www.phoenixcontact.com/in/products/1618050>

Color-coding, color: black



ST-3ES1N8A8004S - Cable connector

1607685

<https://www.phoenixcontact.com/in/products/1607685>



ST-Z0002 - Square mounting flange with O-ring

1607771

<https://www.phoenixcontact.com/in/products/1607771>



Square mounting flange with O-ring, Axial O-ring, 4x Ø2,7, series: ST

ST-Z0003 - Square mounting flange with O-ring

1607772

<https://www.phoenixcontact.com/in/products/1607772>



Square mounting flange with O-ring, Axial O-ring, 4xM3, series: ST

ST-3ES1N8A8004S - Cable connector

1607685

<https://www.phoenixcontact.com/in/products/1607685>



ST-Z0004 - Square mounting flange

1607773

<https://www.phoenixcontact.com/in/products/1607773>

Square mounting flange, 4x Ø2,7, series: ST



ST-Z0005 - Square mounting flange

1607775

<https://www.phoenixcontact.com/in/products/1607775>

Square mounting flange, 4xM3, series: ST



Phoenix Contact 2023 © - all rights reserved
<https://www.phoenixcontact.com>

PHOENIX CONTACT (I) Pvt. Ltd.
A-58/2, Okhla Industrial Area, Phase - II, New Delhi-110 020

+91.1275.71420
info@phoenixcontact.co.in