

RC-0000000201A - Panel mounting base



1592571

<https://www.phoenixcontact.com/in/products/1592571>

Please be informed that the data shown in this PDF document is generated from our Online Catalog. Please find the complete data in the user documentation. Our General Terms of Use for Downloads are valid.



Panel mounting base, series: RC, straight, Screw locking, M23, Flat gasket, 4x Ø2,7, shielded: yes

Commercial Data

Item number	1592571
Packing unit	40 pc
Minimum order quantity	1 pc
Note	Made to Order (non-returnable)
Sales Key	ABR
Product Key	ABRAAX
GTIN	4046356191609
Weight per Piece (including packing)	26.47 g
Weight per Piece (excluding packing)	24.55 g
Customs tariff number	85366990
Country of origin	DE

RC-0000000201A - Panel mounting base



1592571

<https://www.phoenixcontact.com/in/products/1592571>

Technical Data

Product properties

Product type	Sleeve housings
Application	Signal
Locking type	Screw locking
Series	RC
Shielded	yes
Thread type	M23

Material specifications

Housing material	Metal
------------------	-------

Connector

Type	straight
------	----------

Environmental and real-life conditions

Ambient conditions

Degree of protection	IP67
----------------------	------

Mounting

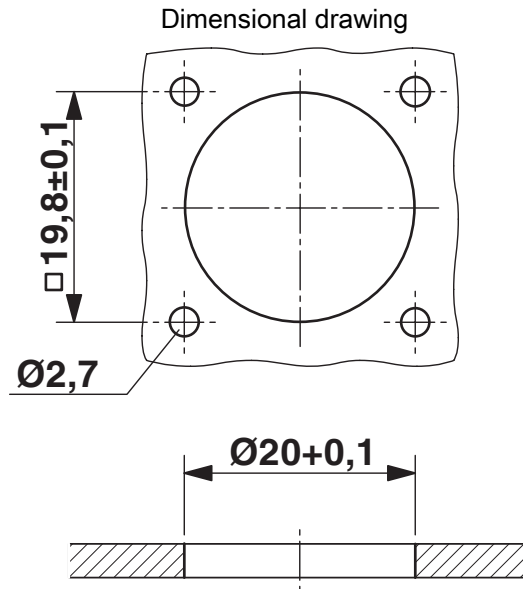
Mounting	4x Ø2,7
----------	---------

RC-0000000201A - Panel mounting base

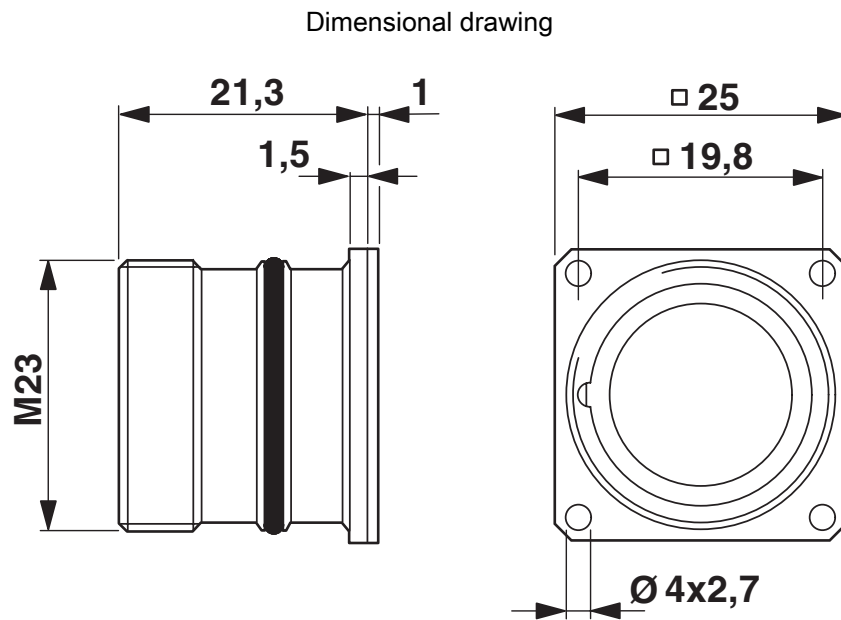
1592571

<https://www.phoenixcontact.com/in/products/1592571>

Drawings



Installation dimensions
Flat gasket, radial O-ring



RC-0000000201A - Panel mounting base



1592571

<https://www.phoenixcontact.com/in/products/1592571>

Classifications

ETIM

ETIM 7.0	EC000437
----------	----------

UNSPSC

UNSPSC 21.0	31261501
-------------	----------

RC-0000000201A - Panel mounting base



1592571

<https://www.phoenixcontact.com/in/products/1592571>

Environmental Product Compliance

China RoHS	Environmentally Friendly Use Period = 50 years For information on hazardous substances, refer to the manufacturer's declaration available under "Downloads"
------------	--

Phoenix Contact 2023 © - all rights reserved
<https://www.phoenixcontact.com>

PHOENIX CONTACT (I) Pvt. Ltd.
A-58/2, Okhla Industrial Area, Phase - II, New Delhi-110 020

+91.1275.71420
info@phoenixcontact.co.in