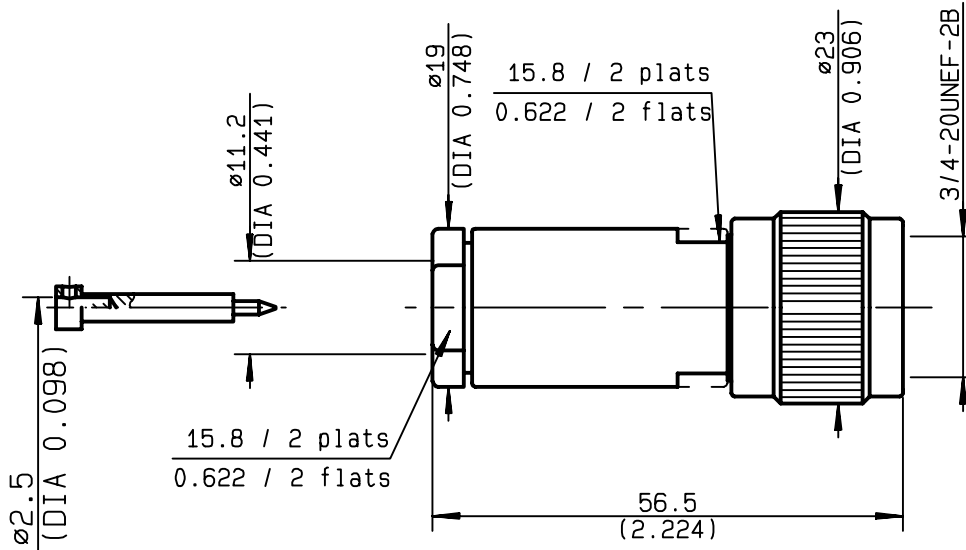


**STRAIGHT PLUG CLAMP TYPE  
CABLE 10+11/50**

**R176.019.000**  
**SERIES HN**



NOMINAL IMPEDANCE	<b>50</b> Ω	CABLES : <b>KX 4</b>
FREQUENCY RANGE	<b>0-3</b> GHz	<b>RG 213</b>
TEMPERATURE RATING	<b>-55/+155</b> °C	
V.S.W.R	<b>AD +</b> x F(GHz)Maxi	
RF INSERTION LOSS	<b>NA</b> √F(GHz) dB Maxi	
VOLTAGE RATING	<b>1500</b> Veff Maxi	
DIELECTRIC WITHSTANDING VOLTAGE	<b>5000</b> Veff Mini	
INSULATION RESISTANCE	<b>5000</b> MΩMini	OTHERS CHARACTERISTICS
HERMETIC SEAL	<b>NA</b> Atm.cm <sup>3</sup> /s	CABLE RETENTION <b>200</b> N Mini
LEAKAGE (pressurized only)	<b>NA</b>	CENTER CONTACT RETENTION
MECHANICAL DURABILITY	<b>500</b> Cycles	Axial force - mating end <b>NA</b> N Mini
WEIGHT	gr	Axial force - opposite end <b>27</b> N Mini
SPECIFICATION		Torque <b>NA</b> cm.N Mini
	<b>DMS795602</b>	RECOMMENDED TORQUES
	<b>LEA 03COCHN6-004</b>	Mating <b>NA</b> cm.N
	<b>LMT490537</b>	Panel nut <b>NA</b> cm.N
		Clamp nut <b>800</b> cm.N

CONNECTOR PARTS	MATERIALS	FINISH	(all values are given in micrometers)
BODY	BRASS	NICKEL 2	
OUTER CONTACT	BRASS	NICKEL 2	
CENTER CONTACT	BRASS	SILVER 5 OVER COPPER 0.5	
INSULATOR	PTFE	-	
GASKET	SILICONE RUBBER	-	
OTHERS PIECES	BRASS	NICKEL 2	

ISSUE	CREATION DATE	FILE PART-NUMBER	
<b>9941P00</b>	<b>25/10/1990</b>		

BERTHET V

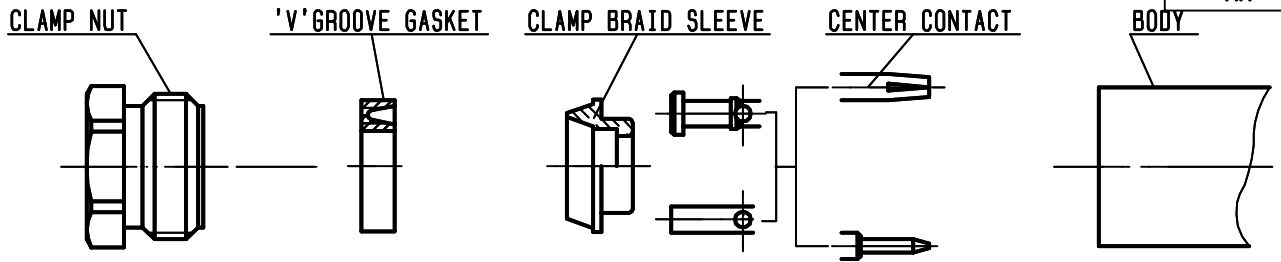
The information given here is subject to change without notice. Design changes may be in order to improve the product.

*Connect to the future*



**R176.019.000**

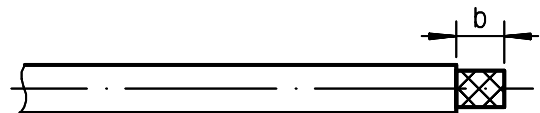
ISSUE **9941P00** SERIES **HN**



①

Strip the cable .

-  
-  
-  
-

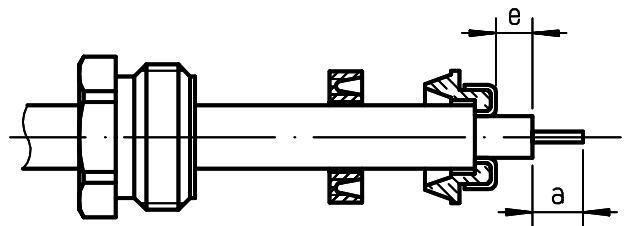


Stripping	a	b	c	d	e
inch	0.236	0.61	0	0	0.295
mm	6	15.5			7.5

②

Slide the clamp nut and the 'V' groove gasket onto the cable .  
Slide clamp braid sleeve over braid .  
Fold back braid and trim off surplus braid .  
Trim back dielectric as shown .

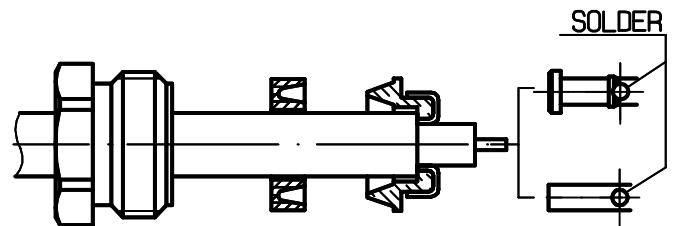
-  
-  
-



③

Solder the center contact onto cable center conductor .

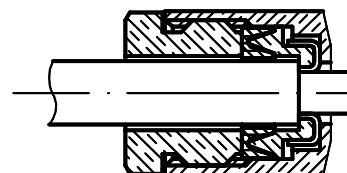
-  
-  
-  
-  
-  
-



④

Screw sub-assembly into the connector body .  
( recommended coupling torque 800N.cm )  
70.8in.lb

-  
-



Hex. : 19 mm /flats  
Hex. : 0.748inch /flats