

AB2/SS - Support bracket

0404431

<https://www.phoenixcontact.com/in/products/0404431>

Please be informed that the data shown in this PDF document is generated from our Online Catalog. Please find the complete data in the user documentation. Our General Terms of Use for Downloads are valid.



Double support bracket, insulating material, optionally for use with 3 mm x 10 mm or 6 mm x 6 mm busbar, height: 48 mm

Commercial Data

Item number	0404431
Packing unit	10 pc
Minimum order quantity	10 pc
Sales Key	BE7
Product Key	BE7113
Catalog Page	Page 552 (C-3-2019)
GTIN	4017918001896
Weight per Piece (including packing)	6.72 g
Weight per Piece (excluding packing)	6 g
Customs tariff number	39269097
Country of origin	PL

AB2/SS - Support bracket

0404431

<https://www.phoenixcontact.com/in/products/0404431>

Technical Data

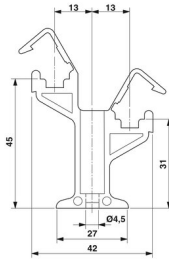
Product properties

Product type	Support
Number of positions	2.00

Electrical properties

Nominal current I_N	0 A
-----------------------	-----

Dimensions

Dimensional drawing	
Width	10 mm
Height	48 mm
Length	42 mm
Diameter	4.5 mm

Material specifications

Color	gray
Material	PA
Flammability rating according to UL 94	V0
Temperature index of insulation material (DIN EN 60216-1 (VDE 0304-21))	125 °C
Relative insulation material temperature index (Elec., UL 746 B)	125 °C
Calorimetric heat release NFPA 130 (ASTM E 1354)	27,5 MJ/kg
Surface flammability NFPA 130 (ASTM E 162)	passed
Specific optical density of smoke NFPA 130 (ASTM E 662)	passed
Smoke gas toxicity NFPA 130 (SMP 800C)	passed
Components	free from silicone and halogen

Environmental and real-life conditions

Ambient conditions

Ambient temperature (operation)	-60 °C ... 105 °C (max. short-term operating temperature RTI Elec.)
Ambient temperature (storage/transport)	-25 °C ... 60 °C (for a short time, not exceeding 24 h, -60 °C to +70 °C)
Ambient temperature (assembly)	-5 °C ... 70 °C
Ambient temperature (actuation)	-5 °C ... 70 °C

AB2/SS - Support bracket



0404431

<https://www.phoenixcontact.com/in/products/0404431>

Permissible humidity (storage/transport)	30 % ... 70 %
--	---------------

Mounting

Mounting type	Direct mounting
---------------	-----------------

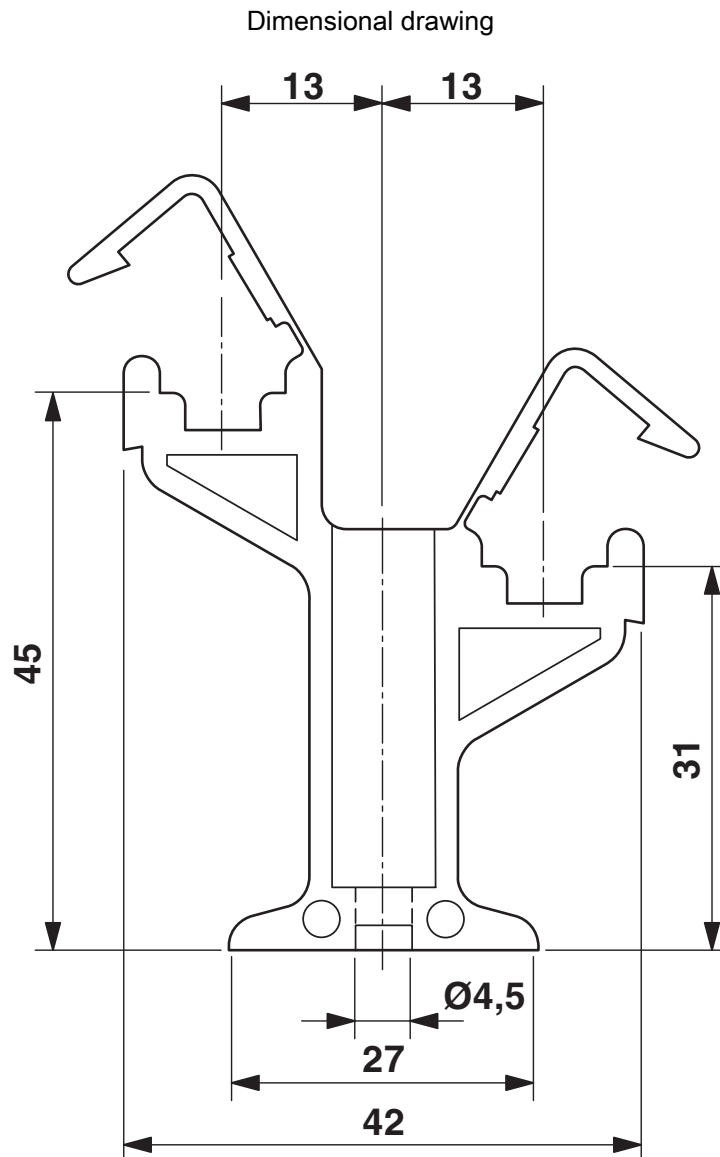
AB2/SS - Support bracket

0404431

<https://www.phoenixcontact.com/in/products/0404431>



Drawings



AB2/SS - Support bracket



0404431

<https://www.phoenixcontact.com/in/products/0404431>

Classifications

ECLASS

ECLASS-11.0

27400607

ETIM

ETIM 8.0

EC001166

UNSPSC

UNSPSC 21.0

39121700

AB2/SS - Support bracket

0404431

<https://www.phoenixcontact.com/in/products/0404431>



Environmental Product Compliance

China RoHS	Environmentally friendly use period: unlimited = EFUP-e No hazardous substances above threshold values
------------	---

Phoenix Contact 2023 © - all rights reserved
<https://www.phoenixcontact.com>

PHOENIX CONTACT (I) Pvt. Ltd.
A-58/2, Okhla Industrial Area, Phase - II, New Delhi-110 020

+91.1275.71420
info@phoenixcontact.co.in