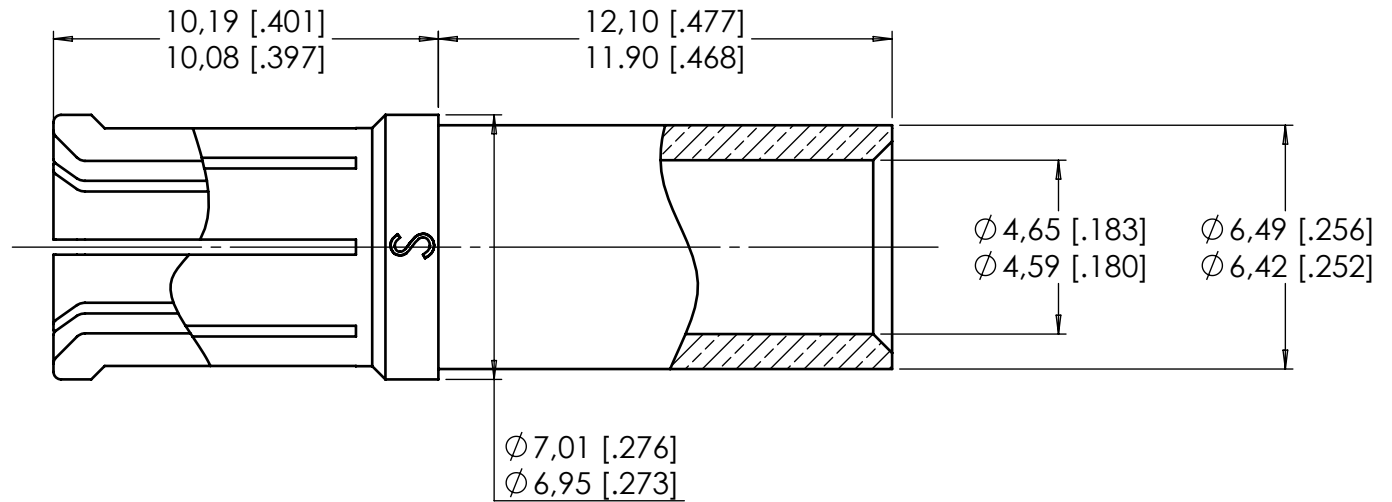


Series
EPX

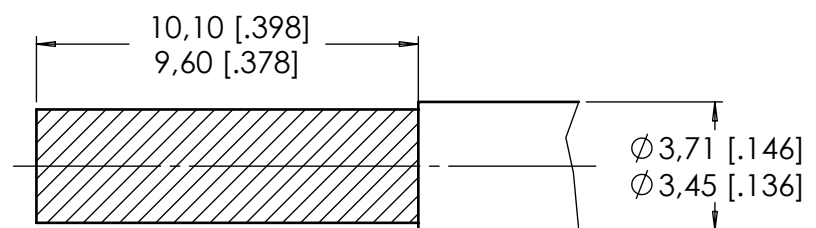
Size 5 power crimp socket contact
For AWG 8 and 10 cables.

Issue:
Nov. 15, 2013

Page
1/1



Cable stripped length:



Material and finish: copper alloy, gold over nickel.

Crimping Tool: M22520/23-01.

Die set: M22520/23-2.

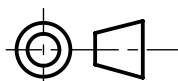
Locator, RADIALL P/N: 282 557 021.

Extraction tool: M81969/28-01, RADIALL P/N: 282 946.

Note:

In order to ensure the SAE AS39029 tensile strength requirements for any wire plating, RADIALL recommend to use MS3348-8-10 bushing when crimped to AWG 10 cable.

DIMENSIONS : mm (inch are given for information only)



Estimated weight : 3,15 g

CREATION				
PEN:				
NOM: L.Garcia				
DATE: July 5, 06	Nov. 15, 2013	TDS updated + Bushing use recommendation for AWG 10 cables added.	MONTIER A.	LE GLOAHEC Y
APPR.: M.Pessard	Jan. 19, 06	Conversion mm/inch updated.	L.Garcia	M.Pessard
	Issue	Revisions	Name	Approved