

FLT 100-260 - Type 1+2 combined lightning current and surge arrester



2838160

<https://www.phoenixcontact.com/in/products/2838160>

Please be informed that the data shown in this PDF document is generated from our Online Catalog. Please find the complete data in the user documentation. Our General Terms of Use for Downloads are valid.



Type 1 / Class I / B arrester (lightning current arrester) with encapsulated N-PE total spark gap, 1-channel. Housing width: 35 mm (2 Div.)

Commercial Data

Item number	2838160
Packing unit	1 pc
Minimum order quantity	1 pc
Sales Key	CL1
Product Key	CL1131
Catalog Page	Page 23 (TT-2011)
GTIN	4017918165390
Weight per Piece (including packing)	292.13 g
Weight per Piece (excluding packing)	292.1 g
Customs tariff number	85363010
Country of origin	IN

FLT 100-260 - Type 1+2 combined lightning current and surge arrester

2838160

<https://www.phoenixcontact.com/in/products/2838160>

Technical Data

Notes

General

Note	100 % lightning impulse sparkover voltage (1.2/50) $\mu\text{s} \leq 4.0 \text{ kV}$
------	--

Product properties

IEC test classification	I
	T1
EN type	T1
IEC power supply system	TT
	TN-S
Type	DIN rail module, one-piece
Product type	Combination type
Number of positions	1
Surge protection fault message	none

Insulation characteristics

Overvoltage category	III
Pollution degree	2

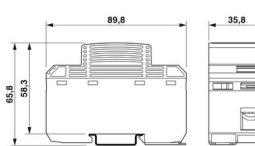
Electrical properties

Nominal frequency f_N	50 Hz (60 Hz)
Nominal voltage U_N	230 V AC (400 V AC)

Connection data

Connection method	Screw connection
Screw thread	M6
Tightening torque	8 Nm
Stripping length	14.5 mm
Conductor cross section flexible	16 mm ² ... 35 mm ²
Conductor cross section rigid	10 mm ² ... 50 mm ²
Conductor cross section AWG	6 ... 1

Dimensions

Dimensional drawing	
Width	35.8 mm
Height	89.8 mm

FLT 100-260 - Type 1+2 combined lightning current and surge arrester



2838160

<https://www.phoenixcontact.com/in/products/2838160>

Depth	65.8 mm
Horizontal pitch	2 Div.

Material specifications

Color	jet black RAL 9005
Flammability rating according to UL 94	V-0
CTI value of material	600
Insulating material	PBT
Material group	I
Housing material	PBT

Mechanical properties

Mechanical data

Open side panel	No
-----------------	----

Protective circuit

Mode of protection	N-PE
Direction of action	N-PE
Nominal voltage U_N	230/400 V AC (TN - only N-PE) 230/400 V AC (TT - only N-PE)
Nominal frequency f_N	50 Hz (60 Hz)
Maximum continuous voltage U_C	260 V AC
Rated load current I_L	80 A
Residual current I_{PE}	≤ 0.1 mA
Standby power consumption P_C	≤ 26 mVA
Nominal discharge current I_n (8/20) μ s	100 kA
Impulse discharge current (10/350) μ s, charge	50 As
Impulse discharge current (10/350) μ s, specific energy	2.5 MJ/ Ω
Impulse discharge current (10/350) μ s, peak value I_{imp}	100 kA
Follow current interrupt rating I_{fi}	100 A (260 V AC)
Voltage protection level U_p	≤ 5.5 kV
Front of wave sparkover voltage at 6 kV (1.2/50) μ s	≤ 5.5 kV
TOV behavior at U_T	1200 V AC (200 ms / withstand mode)
Response time t_A	≤ 100 ns

Environmental and real-life conditions

Ambient conditions

Degree of protection	IP20 (only when all terminal points are used)
Ambient temperature (operation)	-40 °C ... 85 °C
Ambient temperature (storage/transport)	-40 °C ... 85 °C
Altitude	≤ 2000 m (amsl (above mean sea level))
Permissible humidity (operation)	5 % ... 95 %

FLT 100-260 - Type 1+2 combined lightning current and surge arrester



2838160

<https://www.phoenixcontact.com/in/products/2838160>

Standards and regulations

Air clearances and creepage distances

Standards/regulations	EN 60664-1 / EN 61643-11
Standards/specifications	IEC 61643-11
Standards/specifications	EN 61643-11

Mounting

Mounting type	DIN rail: 35 mm
---------------	-----------------

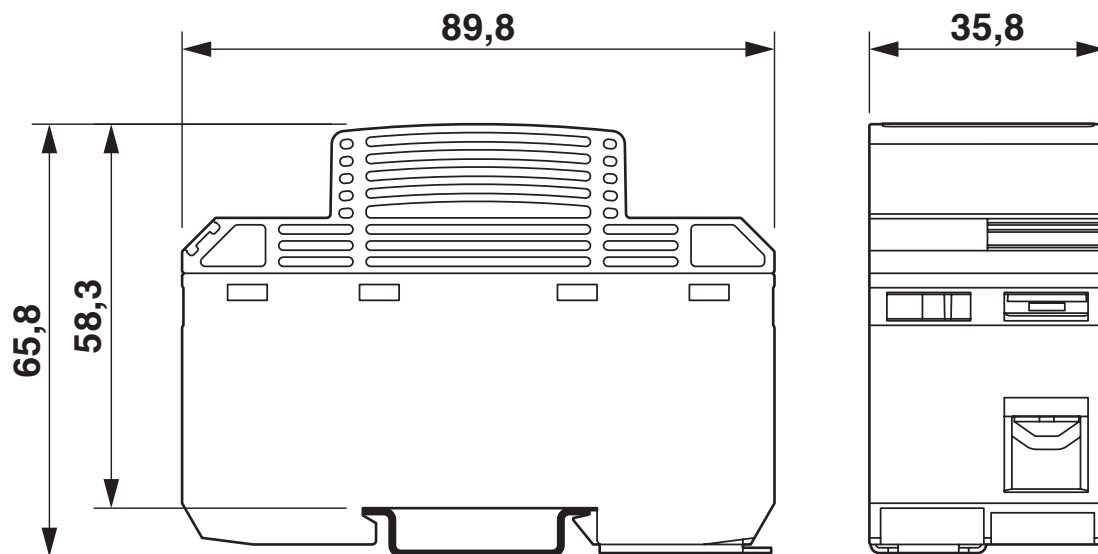
FLT 100-260 - Type 1+2 combined lightning current and surge arrester

2838160

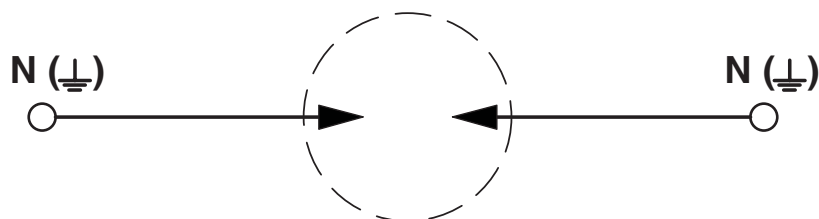
<https://www.phoenixcontact.com/in/products/2838160>

Drawings

Dimensional drawing



Circuit diagram



FLT 100-260 - Type 1+2 combined lightning current and surge arrester



2838160

<https://www.phoenixcontact.com/in/products/2838160>

Approvals



EAC

Approval ID: RU C-DE.*09.B.00169

FLT 100-260 - Type 1+2 combined lightning current and surge arrester



2838160

<https://www.phoenixcontact.com/in/products/2838160>

Classifications

ECLASS

ECLASS-11.0	27130802
-------------	----------

ETIM

ETIM 8.0	EC000381
----------	----------

UNSPSC

UNSPSC 21.0	39121600
-------------	----------

FLT 100-260 - Type 1+2 combined lightning current and surge arrester



2838160

<https://www.phoenixcontact.com/in/products/2838160>

Environmental Product Compliance

REACH SVHC


Lead 7439-92-1

FLT 100-260 - Type 1+2 combined lightning current and surge arrester

2838160

<https://www.phoenixcontact.com/in/products/2838160>

Accessories

 Note: Applying some accessories below might limit this product.

MPB 18/1-57 - Wiring bridge

2809238

<https://www.phoenixcontact.com/in/products/2809238>



Wiring bridge for modules with connecting pitch 17.5 mm, 1-phase, 57-pos.

 Max. current carrying capacity: 125 A

MPB 18/1-12 - Wiring bridge

2748593

<https://www.phoenixcontact.com/in/products/2748593>



Wiring bridge for modules with connecting pitch 17.5 mm, 1-phase, 12-pos.

 Max. current carrying capacity: 125 A

FLT 100-260 - Type 1+2 combined lightning current and surge arrester

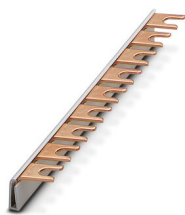
2838160

<https://www.phoenixcontact.com/in/products/2838160>

MPB 18/1- 9 - Wiring bridge

2748580

<https://www.phoenixcontact.com/in/products/2748580>



Wiring bridge for modules with connecting pitch 17.5 mm, 1-phase, 9-pos.

 Max. current carrying capacity: 125 A

MPB 18/1- 8 - Wiring bridge

2748577

<https://www.phoenixcontact.com/in/products/2748577>



Wiring bridge for modules with connecting pitch 17.5 mm, 1-phase, 8-pos.

 Max. current carrying capacity: 125 A

FLT 100-260 - Type 1+2 combined lightning current and surge arrester

2838160

<https://www.phoenixcontact.com/in/products/2838160>

MPB 18/1- 6 - Wiring bridge

2748564

<https://www.phoenixcontact.com/in/products/2748564>



Wiring bridge for modules with connecting pitch 17.5 mm, 1-phase, 6-pos.

 Max. current carrying capacity: 125 A

MPB 18/1- 4 - Wiring bridge

2809225

<https://www.phoenixcontact.com/in/products/2809225>



Wiring bridge for modules with connecting pitch 17.5 mm, 1-phase, 4-pos.

 Max. current carrying capacity: 125 A

FLT 100-260 - Type 1+2 combined lightning current and surge arrester

2838160

<https://www.phoenixcontact.com/in/products/2838160>

MPB 18/1- 3 - Wiring bridge

2809212

<https://www.phoenixcontact.com/in/products/2809212>



Wiring bridge for modules with connecting pitch 17.5 mm, 1-phase, 3-pos.

 Max. current carrying capacity: 125 A

MPB 18/1- 2 - Wiring bridge

2809209

<https://www.phoenixcontact.com/in/products/2809209>



Wiring bridge for modules with connecting pitch 17.5 mm, 1-phase, 2-pos.

 Max. current carrying capacity: 125 A

FLT 100-260 - Type 1+2 combined lightning current and surge arrester

2838160

<https://www.phoenixcontact.com/in/products/2838160>

CLIPFIX 35 - End clamp

3022218

<https://www.phoenixcontact.com/in/products/3022218>



Quick mounting end clamp for NS 35/7,5 DIN rail or NS 35/15 DIN rail, with marking option, width: 9.5 mm, color: gray

B-STIFT - Marker pen

1051993

<https://www.phoenixcontact.com/in/products/1051993>



Marker pen, for manual labeling of unprinted Zack strips, smear-proof and waterproof, line thickness 0.5 mm

FLT 100-260 - Type 1+2 combined lightning current and surge arrester

2838160

<https://www.phoenixcontact.com/in/products/2838160>

ZBN 18,LGS:ERDE - Marker for terminal blocks

2749589

<https://www.phoenixcontact.com/in/products/2749589>

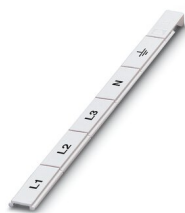


Marker for terminal blocks, Strip, white, labeled, horizontal: Grounding symbol, mounting type: snapped, for terminal block width: 18 mm, lettering field size: 18 x 5 mm, Number of individual labels: 5

ZBN 18,LGS:L1-N,ERDE - Marker for terminal blocks

2749576

<https://www.phoenixcontact.com/in/products/2749576>



Marker for terminal blocks, Strip, white, labeled, horizontal: L1, L2, L3, N, GND, mounting type: snapped, for terminal block width: 18 mm, lettering field size: 18 x 5 mm, Number of individual labels: 5

FLT 100-260 - Type 1+2 combined lightning current and surge arrester



2838160

<https://www.phoenixcontact.com/in/products/2838160>

ZBN 18:UNBEDRUCKT - Zack marker strip

2809128

<https://www.phoenixcontact.com/in/products/2809128>



Zack marker strip, Strip, white, unlabeled, can be labeled with: CMS-P1-PLOTTER, PLOTMARK, mounting type: snapped, for terminal block width: 18 mm, lettering field size: 18 x 5 mm, Number of individual labels: 5

Phoenix Contact 2023 © - all rights reserved
<https://www.phoenixcontact.com>

PHOENIX CONTACT (I) Pvt. Ltd.
A-58/2, Okhla Industrial Area, Phase - II, New Delhi-110 020

+91.1275.71420
info@phoenixcontact.co.in