

AKG 4 BK - Connection terminal block



0421032

<https://www.phoenixcontact.com/in/products/0421032>

Please be informed that the data shown in this PDF document is generated from our Online Catalog. Please find the complete data in the user documentation. Our General Terms of Use for Downloads are valid.



Connection terminal block, nom. voltage: 300 V, nominal current: 41 A, connection method: Screw connection, Rated cross section: 4 mm², cross section: 0.5 mm² - 6 mm², mounting: Neutral busbar, color: black

Commercial Data

Item number	0421032
Packing unit	50 pc
Minimum order quantity	50 pc
Sales Key	BE7
Product Key	BE7331
Catalog Page	Page 554 (C-3-2019)
GTIN	4017918001933
Weight per Piece (including packing)	5.457 g
Weight per Piece (excluding packing)	5.426 g
Customs tariff number	25093400
Country of origin	IN

AKG 4 BK - Connection terminal block



0421032

<https://www.phoenixcontact.com/in/products/0421032>

Technical Data

Product properties

Product type	Installation terminal block
Number of connections	1
Number of rows	1

Electrical properties

Maximum load current	41 A
Maximum power dissipation for nominal condition	1.02 W
Nominal current I_N	32 A
Current carrying capacity of the neutral busbar	140 A

Connection data

Nominal cross section	4 mm ²
Maximum load current	41 A

Level 1 above 1 below 1

Screw thread	M4
Tightening torque	1.5 ... 1.8 Nm
Stripping length	16 mm
Conductor cross section rigid	0.5 mm ² ... 6 mm ²
Cross section AWG	20 ... 10 (converted acc. to IEC)
Conductor cross section flexible	0.5 mm ² ... 4 mm ²
Conductor cross section, flexible [AWG]	20 ... 12 (converted acc. to IEC)
Conductor cross-section flexible (ferrule without plastic sleeve)	0.5 mm ² ... 6 mm ²
Flexible conductor cross section (ferrule with plastic sleeve)	0.5 mm ² ... 6 mm ²
2 conductors with same cross section, solid	0.5 mm ² ... 2.5 mm ²
2 conductors with same cross section, flexible	0.5 mm ² ... 2.5 mm ²
2 conductors with same cross section, flexible, with ferrule without plastic sleeve	0.5 mm ² ... 2.5 mm ²
2 conductors with the same cross section, flexible, with TWIN ferrule with plastic sleeve	0.5 mm ² ... 2.5 mm ²
Nominal current	41 A
Maximum load current	41 A (with 6 mm ² conductor cross section)
Nominal voltage	300 V
Nominal cross section	4 mm ²

Dimensions

AKG 4 BK - Connection terminal block



0421032

<https://www.phoenixcontact.com/in/products/0421032>

Dimensional drawing	
Width	7 mm
Height	24 mm
Length	23.4 mm

Material specifications

Color	black
Flammability rating according to UL 94	V2
Insulating material	PA
Static insulating material application in cold	-60 °C
Temperature index of insulation material (DIN EN 60216-1 (VDE 0304-21))	130 °C
Relative insulation material temperature index (Elec., UL 746 B)	130 °C
Fire protection for rail vehicles (DIN EN 45545-2) R22	HL 1 - HL 3
Fire protection for rail vehicles (DIN EN 45545-2) R23	HL 1 - HL 3
Fire protection for rail vehicles (DIN EN 45545-2) R24	HL 1 - HL 3
Fire protection for rail vehicles (DIN EN 45545-2) R26	HL 1 - HL 3
Calorimetric heat release NFPA 130 (ASTM E 1354)	28 MJ/kg
Surface flammability NFPA 130 (ASTM E 162)	passed
Specific optical density of smoke NFPA 130 (ASTM E 662)	passed
Smoke gas toxicity NFPA 130 (SMP 800C)	passed

Electrical tests

Temperature-rise test

Requirement temperature-rise test	Increase in temperature ≤ 45 K
Result	Test passed
Result	Test passed

Environmental and real-life conditions

Ambient conditions

Ambient temperature (operation)	-60 °C ... 105 °C (max. short-term operating temperature RTI Elec.)
Ambient temperature (storage/transport)	-25 °C ... 60 °C (for a short time, not exceeding 24 h, -60 °C to +70 °C)
Ambient temperature (assembly)	-5 °C ... 70 °C
Ambient temperature (actuation)	-5 °C ... 70 °C
Permissible humidity (storage/transport)	30 % ... 70 %

AKG 4 BK - Connection terminal block



0421032

<https://www.phoenixcontact.com/in/products/0421032>

Mounting

Mounting type	Neutral busbar
---------------	----------------

AKG 4 BK - Connection terminal block

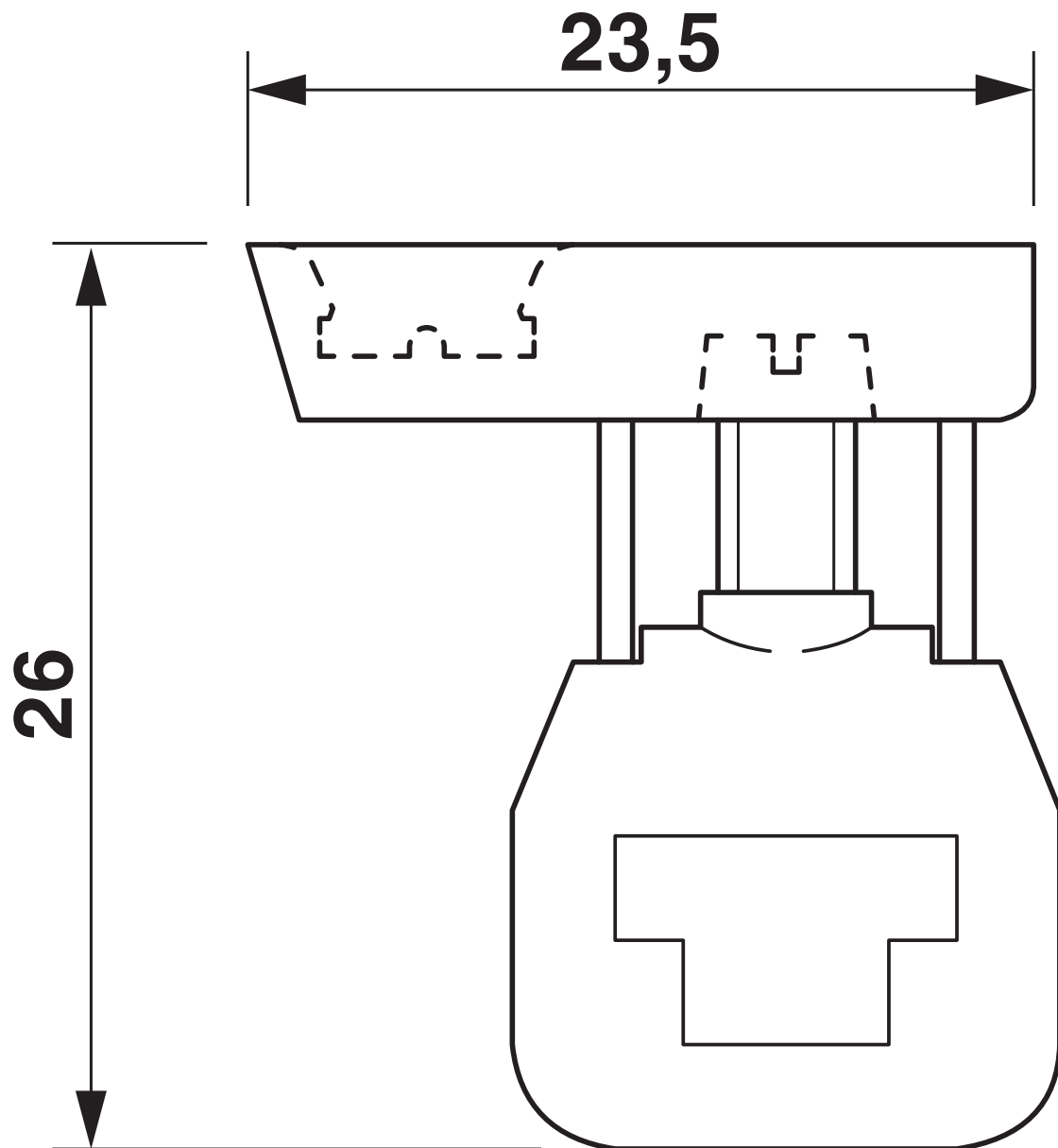


0421032

<https://www.phoenixcontact.com/in/products/0421032>

Drawings

Dimensional drawing

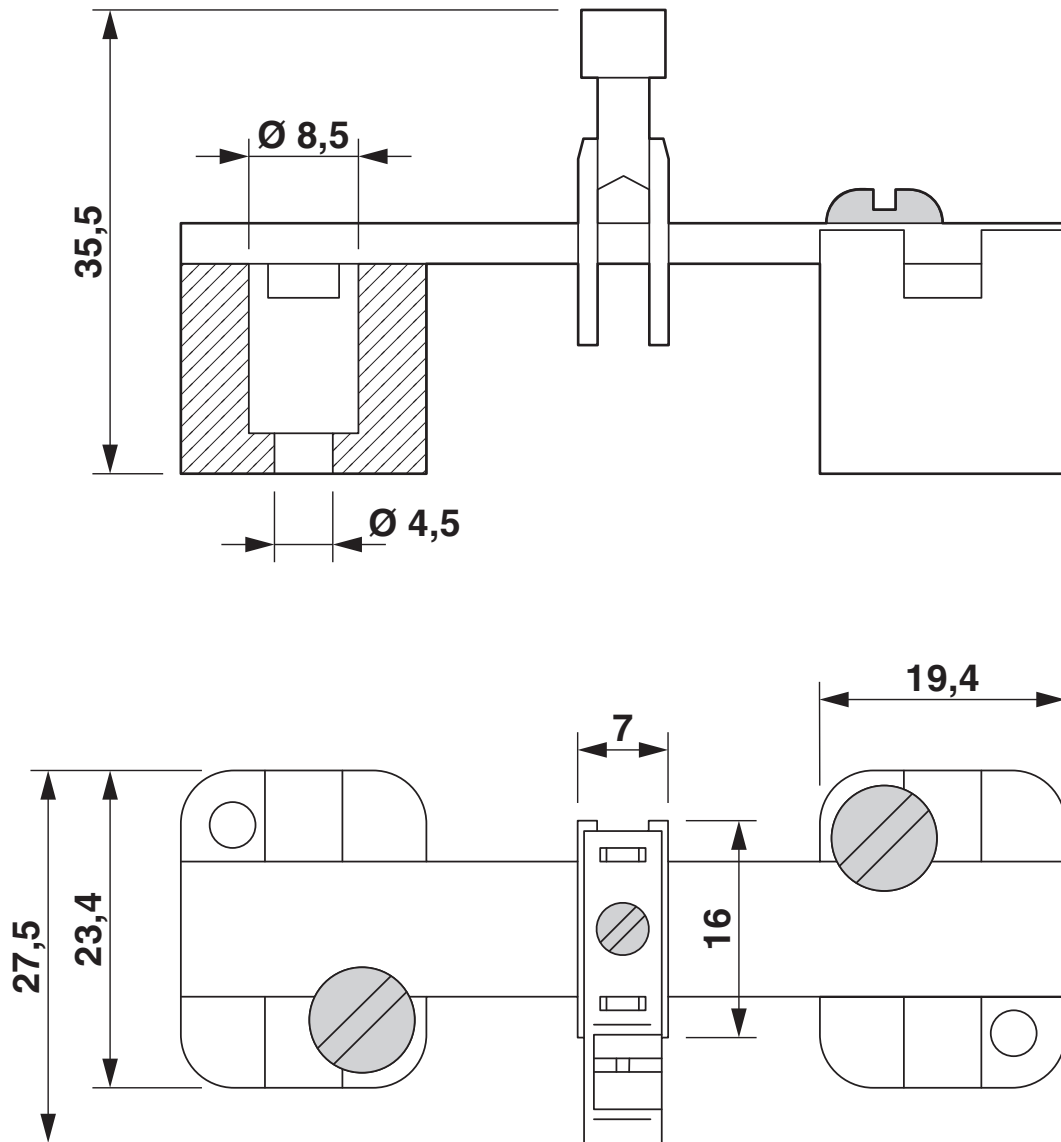


AKG 4 BK - Connection terminal block

0421032

<https://www.phoenixcontact.com/in/products/0421032>

Dimensional drawing



AKG 4 BK - Connection terminal block





0421032

<https://www.phoenixcontact.com/in/products/0421032>

Approvals

 CSA Approval ID: 13631				
	Nominal Voltage U_N	Nominal Current I_N	Cross Section AWG	Cross Section mm^2
	-	20 A	22 - 12	-

 EAC Approval ID: RU C-DE.BL08.B.00534				
---	--	--	--	--

 cULus Recognized Approval ID: E60425				
	Nominal Voltage U_N	Nominal Current I_N	Cross Section AWG	Cross Section mm^2
	-	20 A	22 - 12	-
	-	30 A	- 10	-
	-	20 A	22 - 12	-
	-	30 A	- 10	-
	-	20 A	22 - 12	-
	-	30 A	- 10	-

AKG 4 BK - Connection terminal block



0421032

<https://www.phoenixcontact.com/in/products/0421032>

Classifications

ECLASS

ECLASS-11.0	27141146
ECLASS-12.0	27141146
ECLASS-13.0	27250116

ETIM

ETIM 8.0	EC000001
----------	----------

UNSPSC

UNSPSC 21.0	31162900
-------------	----------

AKG 4 BK - Connection terminal block



0421032

<https://www.phoenixcontact.com/in/products/0421032>

Environmental Product Compliance

China RoHS	Environmentally friendly use period: unlimited = EFUP-e
	No hazardous substances above threshold values


AKG 4 BK - Connection terminal block



0421032

<https://www.phoenixcontact.com/in/products/0421032>

Accessories

 Note: Applying some accessories below might limit this product.

NLS-CU 3/10 SN 1000MM - Neutral busbar

0402174

<https://www.phoenixcontact.com/in/products/0402174>



Neutral busbar, DIN VDE 0611-4: 1991-02, material: Copper, tin-plated, color: silver

 Max. current carrying capacity: 140 A

AB/SS - Support bracket

0404428

<https://www.phoenixcontact.com/in/products/0404428>



Support bracket made from insulation material, with retaining screw, can be used with either 3 x 10 mm or 6 x 6 mm busbar, color: gray

AKG 4 BK - Connection terminal block

0421032

<https://www.phoenixcontact.com/in/products/0421032>



ABN 2/SS - Support bracket

0404460

<https://www.phoenixcontact.com/in/products/0404460>



Double support bracket, insulating material, optionally for use with 3 x 10 mm or 6 x 6 mm busbar, height in closed state: 39 mm

UAB 1 - Support bracket

3032431

<https://www.phoenixcontact.com/in/products/3032431>



Support bracket, number of positions: 1, mounting type: DIN rail mounting, color: gray

AKG 4 BK - Connection terminal block

0421032

<https://www.phoenixcontact.com/in/products/0421032>



AB2/SS - Support bracket

0404431

<https://www.phoenixcontact.com/in/products/0404431>



Double support bracket, insulating material, optionally for use with 3 mm x 10 mm or 6 mm x 6 mm busbar, height: 48 mm

SF-SL 0,8X4,0-100 S-VDE - Screwdriver

1212588

<https://www.phoenixcontact.com/in/products/1212588>



Actuation tool, for ST terminal blocks, VDE insulated, with slimmer insulation integrated in the blade, also suitable for use as a bladed screwdriver, size: 0.8 x 4.0 x 100 mm, 2-component grip, with non-slip grip

AKG 4 BK - Connection terminal block

0421032

<https://www.phoenixcontact.com/in/products/0421032>



NLS-CU 6/ 6 SN 1000MM - Neutral busbar

0402161

<https://www.phoenixcontact.com/in/products/0402161>



Neutral busbar, material: Copper, tin-plated, color: silver

ZB 5 :UNBEDRUCKT - Zack marker strip

1050004

<https://www.phoenixcontact.com/in/products/1050004>



Zack marker strip, Strip, white, unlabeled, can be labeled with: PLOTMARK, CMS-P1-PLOTTER, mounting type: snapped, for terminal block width: 5.2 mm, lettering field size: 5.1 x 10.5 mm, Number of individual labels: 10

AKG 4 BK - Connection terminal block



0421032

<https://www.phoenixcontact.com/in/products/0421032>

ZB 5 CUS - Zack marker strip

0824962

<https://www.phoenixcontact.com/in/products/0824962>



Zack marker strip, can be ordered: Strip, white, labeled according to customer specifications, mounting type: snap into tall marker groove, for terminal block width: 5.2 mm, lettering field size: 5.15 x 10.5 mm, Number of individual labels: 10

ZB 5,LGS:FORTL.ZAHLEN - Zack marker strip

1050017

<https://www.phoenixcontact.com/in/products/1050017>



Zack marker strip, Strip, white, labeled, printed horizontally: consecutive numbers 1 ... 10, 11 ... 20, etc. up to 491 ... 500, mounting type: snapped, for terminal block width: 5.2 mm, lettering field size: 5.15 x 10.5 mm, Number of individual labels: 10

AKG 4 BK - Connection terminal block



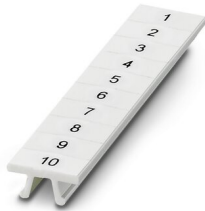
0421032

<https://www.phoenixcontact.com/in/products/0421032>

ZB 5,QR:FORTL.ZAHLEN - Zack marker strip

1050020

<https://www.phoenixcontact.com/in/products/1050020>



Zack marker strip, white, Printed vertically: consecutive numbers 1 ... 10, 11 ... 20, etc. up to 491 ... 500, mounting type: snapped, for terminal block width: 5.2 mm, lettering field size: 5.15 x 10.5 mm

ZB 5,LGS:GLEICHE ZAHLEN - Zack marker strip

1050033

<https://www.phoenixcontact.com/in/products/1050033>



Zack marker strip, Strip, white, labeled, can be labeled with: CMS-P1-PLOTTER, printed horizontally: Identical numbers 1 or 2, etc. up to 100, mounting type: snapped, for terminal block width: 5.2 mm, lettering field size: 5.15 x 10.5 mm, Number of individual labels: 10

AKG 4 BK - Connection terminal block



0421032

<https://www.phoenixcontact.com/in/products/0421032>

ZB 5,LGS:L1-N,PE - Zack marker strip

1050415

<https://www.phoenixcontact.com/in/products/1050415>



Zack marker strip, Strip, white, labeled, horizontal: L1, L2, L3, N, PE, L1, L2, L3, N, PE, mounting type: snapped, for terminal block width: 5.2 mm, lettering field size: 5.15 x 10.5 mm, Number of individual labels: 10

UC-TM 5 - Marker for terminal blocks

0818108

<https://www.phoenixcontact.com/in/products/0818108>



Marker for terminal blocks, Sheet, white, unlabeled, can be labeled with: BLUEMARK ID COLOR, BLUEMARK ID, BLUEMARK CLED, PLOTMARK, CMS-P1-PLOTTER, mounting type: snapped, for terminal block width: 5.2 mm, lettering field size: 4.6 x 10.5 mm, Number of individual labels: 96

AKG 4 BK - Connection terminal block

0421032

<https://www.phoenixcontact.com/in/products/0421032>



UC-TM 5 CUS - Marker for terminal blocks

0824581

<https://www.phoenixcontact.com/in/products/0824581>



Marker for terminal blocks, can be ordered: by sheet, white, labeled according to customer specifications, mounting type: snap into tall marker groove, for terminal block width: 5.2 mm, lettering field size: 10.5 x 4.6 mm, Number of individual labels: 96

UCT-TM 5 - Marker for terminal blocks

0828734

<https://www.phoenixcontact.com/in/products/0828734>



Marker for terminal blocks, Sheet, white, unlabeled, can be labeled with: TOPMARK NEO, TOPMARK LASER, BLUEMARK ID COLOR, BLUEMARK ID, BLUEMARK CLED, THERMOMARK PRIME, THERMOMARK CARD 2.0, THERMOMARK CARD, mounting type: snapped, for terminal block width: 5.2 mm, lettering field size: 4.6 x 10.5 mm, Number of individual labels: 72

AKG 4 BK - Connection terminal block

0421032

<https://www.phoenixcontact.com/in/products/0421032>



UCT-TM 5 CUS - Marker for terminal blocks

0829595

<https://www.phoenixcontact.com/in/products/0829595>



Marker for terminal blocks, can be ordered: by sheet, white, labeled according to customer specifications, mounting type: snap into tall marker groove, for terminal block width: 5.2 mm, lettering field size: 4.6 x 10.5 mm, Number of individual labels: 72

GBS 5-25X12 - Group marker label for terminal marking

0810588

<https://www.phoenixcontact.com/in/products/0810588>



Group marker label, snaps onto terminal center for screw, spring-cage and quick connection terminal blocks, labeled with a 25 x 12 mm label or manually with the B-STIFT, in the foot part with ZB 5

AKG 4 BK - Connection terminal block

0421032

<https://www.phoenixcontact.com/in/products/0421032>



GBS 5-25X5 - Group marker label for terminal marking

0829126

<https://www.phoenixcontact.com/in/products/0829126>



Group marking label, can be snapped into terminal center for screw, spring-cage, push-in, and fast connection terminal blocks, can be labeled with a 24 x 4 mm label or manually using B-STIFT, in the foot part with ZB 5

STP 5-2-ZB - Marker carriers

3037643

<https://www.phoenixcontact.com/in/products/3037643>



Marker carriers, snaps into ST 2,5 spring-cage terminal blocks, can be marked with UC-TM 5, UC-TMF 5, UCT-TM 5, UCT-TMF 5, ZB 5, or ZBF 5, gray, unlabeled, mounting type: plug in

Phoenix Contact 2023 © - all rights reserved
<https://www.phoenixcontact.com>

PHOENIX CONTACT (I) Pvt. Ltd.
A-58/2, Okhla Industrial Area, Phase - II, New Delhi-110 020

+91.1275.71420
info@phoenixcontact.co.in