

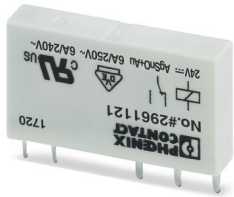
REL-MR- 24DC/21AU - Single relay



2961121

<https://www.phoenixcontact.com/in/products/2961121>

Please be informed that the data shown in this PDF document is generated from our Online Catalog. Please find the complete data in the user documentation. Our General Terms of Use for Downloads are valid.



Plug-in miniature power relay, with multi-layer gold contact, 1 changeover contact, input voltage 24 V DC

Your advantages

- Safe isolation according to DIN EN 50178 between coil and contact
- High degree of protection up to RT III depending on type (wash-proof)
- Power contacts up to 6 A

Commercial Data

Item number	2961121
Packing unit	10 pc
Minimum order quantity	10 pc
Sales Key	CK6
Product Key	CK6195
Catalog Page	Page 284 (C-5-2019)
GTIN	4017918130879
Weight per Piece (including packing)	6.92 g
Weight per Piece (excluding packing)	6.525 g
Customs tariff number	85364900
Country of origin	CZ

REL-MR- 24DC/21AU - Single relay



2961121

<https://www.phoenixcontact.com/in/products/2961121>

Technical Data

Product properties

Product type	Single relay
Set comprises	2966265 PLC-RSC- 24DC/21AU
	2966278 PLC-RSC- 24UC/21AU
	2966126 PLC-RSC- 48DC/21AU
	2966540 PLC-RSP- 24DC/21AU
	2966553 PLC-RSP- 24UC/21AU
	2966566 PLC-RSP- 48DC/21AU
	2900306 PLC-RPT- 24DC/21AU
	2900307 PLC-RPT- 24UC/21AU
	2900308 PLC-RPT- 48DC/21AU
	2900317 PLC-RPT- 12DC/21AU
	2967374 PLC-RSP- 24DC/ 1AU/SEN
	2900313 PLC-RPT- 24DC/ 1AU/SEN
	2903368 RIF-0-RPT-24DC/21AU
2903372 RIF-0-RSC-24DC/21AU	
Operating mode	100% operating factor
Mechanical service life	2x 10 ⁷ cycles

Insulation characteristics

Overvoltage category	III
Pollution degree	3

Electrical properties

Maximum power dissipation for nominal condition	0.17 W
Test voltage (Winding/contact)	4 kV AC (50 Hz, 1 min., winding/contact)

Input data

Coil side

Nominal input voltage U_N	24 V DC
Input voltage range	14.4 V DC ... 66 V DC
Input voltage range in reference to U_N	see diagram
Typical input current at U_N	7 mA
Typical response time	5 ms
Typical release time	2.5 ms
Coil resistance	3390 Ω \pm 10 % (at 20 °C)

Output data

Switching

Contact type	1 changeover contact
Type of switch contact	Single contact

REL-MR- 24DC/21AU - Single relay



2961121

<https://www.phoenixcontact.com/in/products/2961121>

Drive and function	monostable
Drive (polarity)	bipolar
Contact material	AgSnO, hard gold-plated
Maximum switching voltage	30 V AC
	36 V DC
Minimum switching voltage	100 mV (at 10 mA)
Limiting continuous current	50 mA
Maximum inrush current	50 mA
Min. switching current	1 mA (at 24 V)
Interrupting rating (ohmic load) max.	1.2 W (at 24 V DC)

Switching: when the gold layer is destroyed

Note	the following values are applicable if a gold layer is destroyed
Contact material	AgSnO
Maximum switching voltage	250 V AC
Minimum switching voltage	5 V (at 100 mA)
Limiting continuous current	6 A
Min. switching current	10 mA (at 12 V)
Interrupting rating (ohmic load) max.	140 W (at 24 V DC)
	20 W (at 48 V DC)
	18 W (at 60 V DC)
	23 W (at 110 V DC)
	40 W (at 220 V DC)
	1500 VA (for 250 V AC)
Switching capacity	2 A (at 24 V, DC13)
	0.2 A (at 110 V, DC13)
	0.1 A (at 220 V, DC13)
	3 A (at 24 V, AC15)
	3 A (at 120 V, AC15)
	3 A (at 230 V, AC15)

Connection data

Connection method	Plug / solder connection
-------------------	--------------------------

Dimensions

Dimensional drawing	
Width	5 mm
Height	28 mm
Depth	15 mm

REL-MR- 24DC/21AU - Single relay



2961121

<https://www.phoenixcontact.com/in/products/2961121>

Environmental and real-life conditions

Ambient conditions

Degree of protection	RT III
Ambient temperature (operation)	-40 °C ... 85 °C
Ambient temperature (storage/transport)	-40 °C ... 85 °C

Approvals

Corrosive gas test

Identification	ISA-S71.04. G3 Harsh Group
	EN 60068-2-60

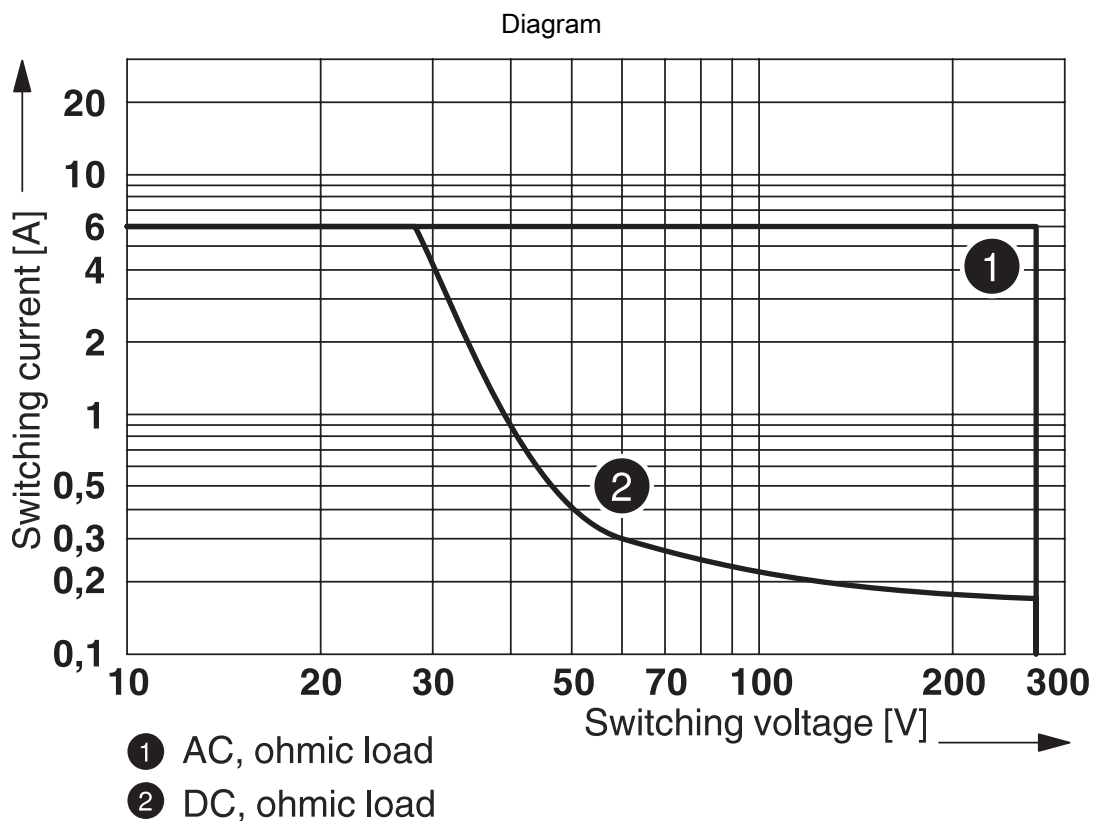
Standards and regulations

Standards/regulations	IEC 60664
	EN 50178
	EN 61810-1

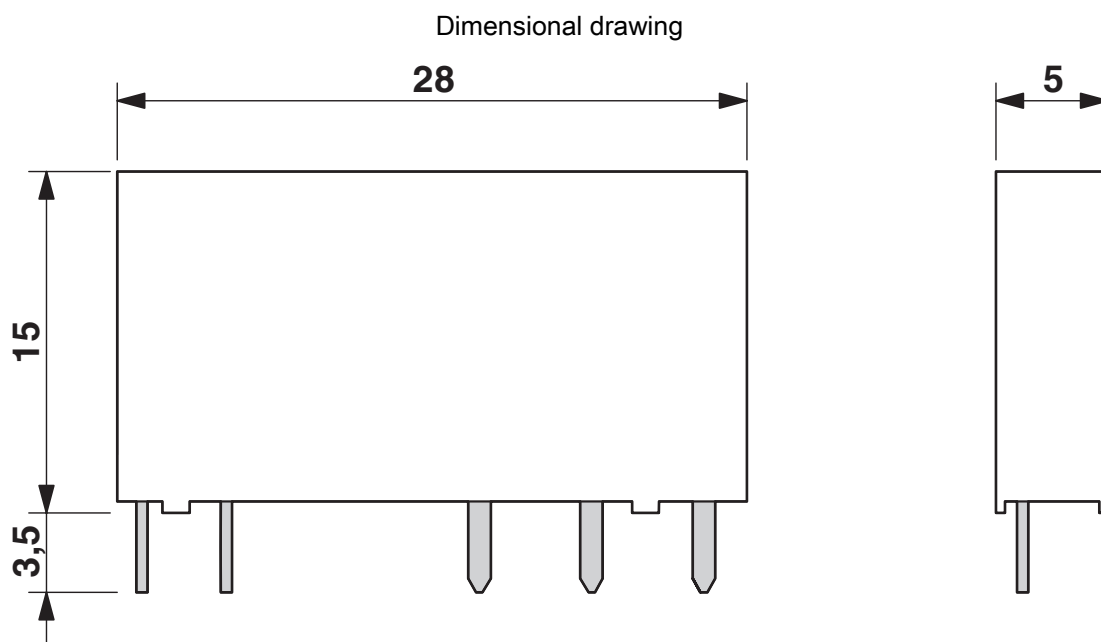
Mounting

Assembly instructions	in rows with zero spacing
Mounting position	any

Drawings



Interrupting rating



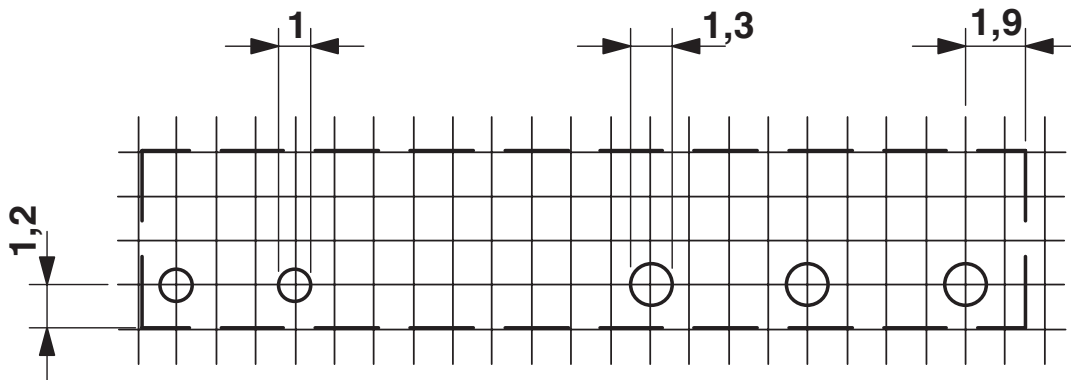
REL-MR- 24DC/21AU - Single relay



2961121

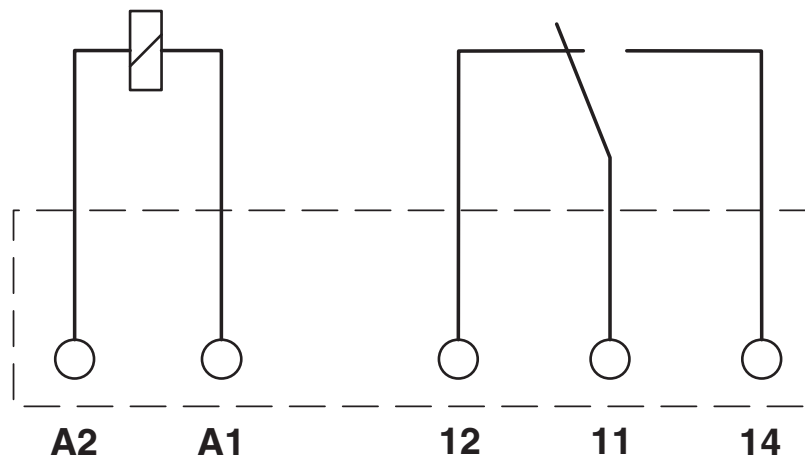
<https://www.phoenixcontact.com/in/products/2961121>

Drilling plan/solder pad geometry



a = pitch division 1.25 mm and 1.27 mm

Circuit diagram



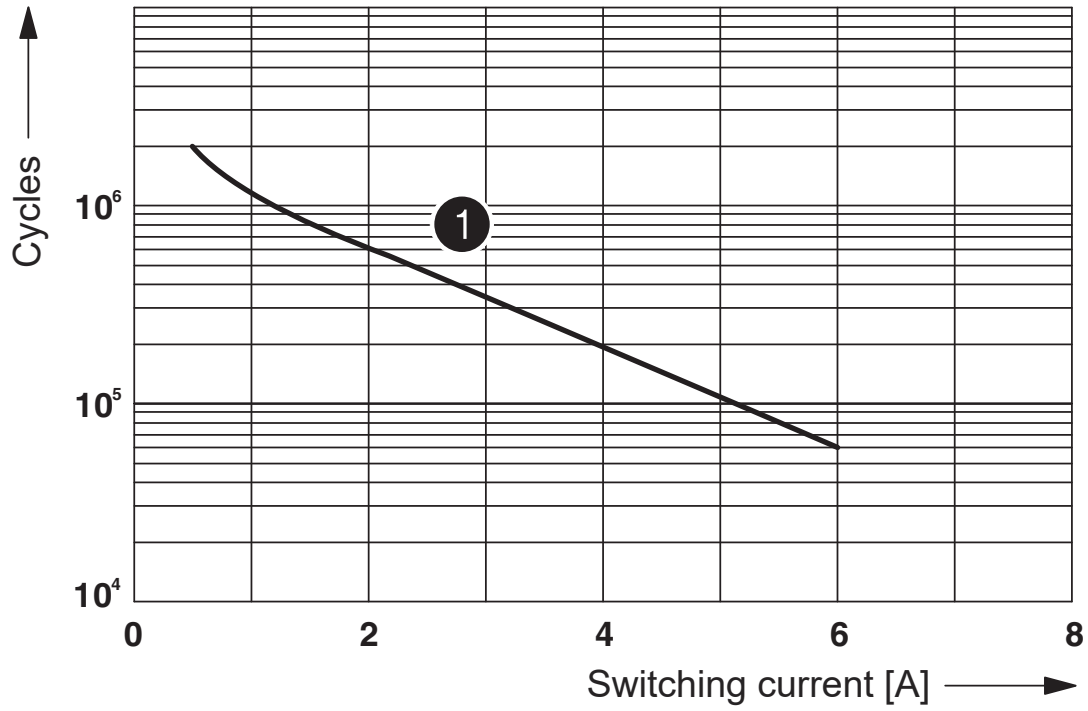
REL-MR- 24DC/21AU - Single relay



2961121

<https://www.phoenixcontact.com/in/products/2961121>

Diagram



① 250 V AC, ohmic load

Electrical service life

REL-MR- 24DC/21AU - Single relay



2961121

<https://www.phoenixcontact.com/in/products/2961121>

Approvals



cUL Recognized
Approval ID: FILE E 172140



UL Recognized
Approval ID: FILE E 172140



EAC
Approval ID: TR_TS_D_00573_c



UL Recognized
Approval ID: FILE E 172140



EAC
Approval ID: RU*C-DE.*08.B.00010



VDE Zeichengenehmigung
Approval ID: 40010212



VDE Zeichengenehmigung
Approval ID: 40032864



PRS
Approval ID: TE/2109/880590/16



cUL Recognized
Approval ID: FILE E 172140



VDE Zeichengenehmigung
Approval ID: 40054426



cUL Recognized
Approval ID: FILE E 172140



UL Recognized
Approval ID: FILE E 172140

REL-MR- 24DC/21AU - Single relay

2961121

<https://www.phoenixcontact.com/in/products/2961121>



REL-MR- 24DC/21AU - Single relay



2961121

<https://www.phoenixcontact.com/in/products/2961121>

Classifications

ECLASS

ECLASS-11.0	27371601
ECLASS-12.0	27371601
ECLASS-13.0	27371601

ETIM

ETIM 8.0	EC001437
----------	----------

UNSPSC

UNSPSC 21.0	39122300
-------------	----------

REL-MR- 24DC/21AU - Single relay



2961121

<https://www.phoenixcontact.com/in/products/2961121>

Environmental Product Compliance

China RoHS	Environmentally friendly use period: unlimited = EFUP-e
	No hazardous substances above threshold values

REL-MR- 24DC/21AU - Single relay

2961121

<https://www.phoenixcontact.com/in/products/2961121>



Accessories

PLC-BPT- 24DC/21 - Relay base

2900445

<https://www.phoenixcontact.com/in/products/2900445>



6.2 mm PLC basic terminal block with Push-in connection, without relay or solid-state relay, for mounting on DIN rail NS 35/7,5, 1 changeover contact, input voltage 24 V DC

PLC-BSC- 24DC/21 - Relay base

2966016

<https://www.phoenixcontact.com/in/products/2966016>



6.2 mm PLC basic terminal block with screw connection, without relay or solid-state relay, for mounting on DIN rail NS 35/7,5, 1 changeover contact, input voltage 24 V DC

REL-MR- 24DC/21AU - Single relay

2961121

<https://www.phoenixcontact.com/in/products/2961121>



PLC-BPT- 24UC/21 - Relay base

2900446

<https://www.phoenixcontact.com/in/products/2900446>



6.2 mm PLC basic terminal block with Push-in connection, without relay or solid-state relay, for mounting on DIN rail NS 35/7,5, 1 changeover contact, input voltage 24 V AC/DC

PLC-BSC- 24UC/21 - Relay base

2966029

<https://www.phoenixcontact.com/in/products/2966029>



6.2 mm PLC basic terminal block with screw connection, without relay or solid-state relay, for mounting on DIN rail NS 35/7,5, 1 changeover contact, input voltage 24 V AC/DC

REL-MR- 24DC/21AU - Single relay

2961121

<https://www.phoenixcontact.com/in/products/2961121>



PLC-BPIT- 48DC/21 - Relay base

2900447

<https://www.phoenixcontact.com/in/products/2900447>



6.2 mm PLC basic terminal block with Push-in connection, without relay or solid-state relay, for mounting on DIN rail NS 35/7,5, 1 changeover contact, input voltage 48 V DC

PLC-BSC- 48DC/21 - Relay base

2966090

<https://www.phoenixcontact.com/in/products/2966090>



6.2 mm PLC basic terminal block with screw connection, without relay or solid-state relay, for mounting on DIN rail NS 35/7,5, 1 changeover contact, input voltage 48 V DC

REL-MR- 24DC/21AU - Single relay

2961121

<https://www.phoenixcontact.com/in/products/2961121>

PLC-BPT- 24DC/ 1/SEN - Relay base

2900262

<https://www.phoenixcontact.com/in/products/2900262>



6.2 mm PLC basic terminal block for input functions with push-in connection, without relay or solid-state relay, for mounting on DIN rail NS 35/7,5, with sensor supply voltage distribution (BB), 1 N/O contact, input voltage 24 V DC

PLC-BSC- 24DC/ 1/SEN - Relay base

2966061

<https://www.phoenixcontact.com/in/products/2966061>



6.2 mm PLC basic terminal block for input functions with screw connection, without relay or solid-state relay, for mounting on DIN rail NS 35/7,5, with sensor supply voltage distribution (BB), 1 N/O contact, input voltage 24 V DC

REL-MR- 24DC/21AU - Single relay

2961121

<https://www.phoenixcontact.com/in/products/2961121>

PLC-BPT- 24DC/ 1/ACT - Relay base

2900449

<https://www.phoenixcontact.com/in/products/2900449>



6.2 mm PLC basic terminal block for output functions with push-in connection, without relay or solid-state relay, for mounting on DIN rail NS 35/7,5, with load return line connection (BB), 1 N/O contact, input voltage 24 V DC

PLC-BSC- 24DC/ 1/ACT - Relay base

2966058

<https://www.phoenixcontact.com/in/products/2966058>



6.2 mm PLC basic terminal block for output functions with screw connection, without relay or solid-state relay, for mounting on DIN rail NS 35/7,5, with load return line connection (BB), 1 N/O contact, input voltage 24 V DC

REL-MR- 24DC/21AU - Single relay

2961121

<https://www.phoenixcontact.com/in/products/2961121>

PLC-BPT- 24UC/ 1/ACT - Relay base

2900450

<https://www.phoenixcontact.com/in/products/2900450>



6.2 mm PLC basic terminal block for output functions with push-in connection, without relay or solid-state relay, for mounting on DIN rail NS 35/7,5, with load return line connection (BB), 1 N/O contact, input voltage 24 V AC/DC

PLC-BSC- 24UC/ 1/ACT - Relay base

2982799

<https://www.phoenixcontact.com/in/products/2982799>



6.2 mm PLC basic terminal block for output functions with screw connection, without relay or solid-state relay, for mounting on DIN rail NS 35/7,5, with load return line connection (BB), 1 N/O contact, input voltage 24 V AC/DC

REL-MR- 24DC/21AU - Single relay

2961121

<https://www.phoenixcontact.com/in/products/2961121>

PLC-BSC- 24DC/21/SO46 - Relay base

2980458

<https://www.phoenixcontact.com/in/products/2980458>



6.2 mm PLC basic terminal block with protection against interference currents/voltages on the control side, with screw connection, without relay or solid-state relay, for mounting on DIN rail NS 35/7,5, with increased input current consumption, 1 changeover contact, input voltage 24 V DC

RIF-0-BPT/21 - Relay base

2900958

<https://www.phoenixcontact.com/in/products/2900958>



Relay base RIF-0..., for miniature power relay with 1 changeover contact or solid-state relays of the same design, Push-in connection, for mounting on NS 35/7,5

REL-MR- 24DC/21AU - Single relay

2961121

<https://www.phoenixcontact.com/in/products/2961121>



RIF-0-BSC/21 - Relay base

2900957

<https://www.phoenixcontact.com/in/products/2900957>



RIF-0... relay base, for miniature power relay with 1 changeover contact or identical solid-state relays, screw connection, for mounting on NS 35/7,5

Phoenix Contact 2023 © - all rights reserved

<https://www.phoenixcontact.com>

PHOENIX CONTACT (I) Pvt. Ltd.

A-58/2, Okhla Industrial Area, Phase - II, New Delhi-110 020

+91.1275.71420

info@phoenixcontact.co.in