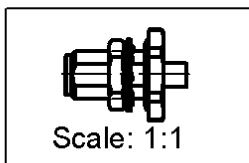
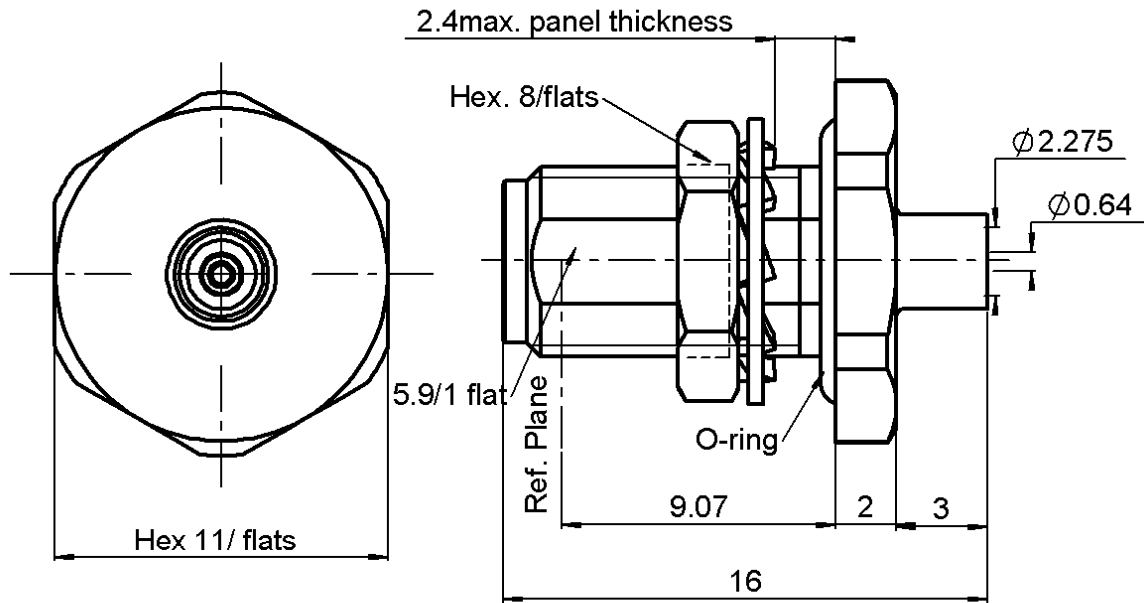


**STRAIGHT BULKHEAD JACK PANEL SEAL**

**R125.326.000**

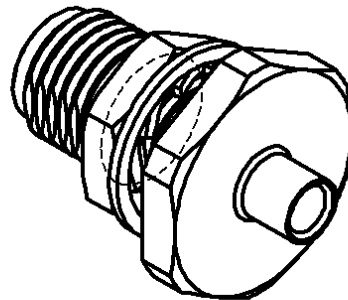
**SOLDER TYPE-CABLE .085**

Series : SMA

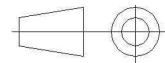


PANEL CUT OUT

| mm |      |      |
|----|------|------|
|    | Maxi | mini |
| A  | 6.5  | 6.4  |
| B  | 6.15 | 6    |



All dimensions are in mm.



| COMPONENTS     | MATERIALS        | PLATING ( $\mu\text{m}$ ) |
|----------------|------------------|---------------------------|
| BODY           | STAINLESS STEEL  | GOLD 0.5 OVER NICKEL 2    |
| CENTER CONTACT | BERYLLIUM COPPER | GOLD 1.3 OVER NICKEL2     |
| OUTER CONTACT  | -                | -                         |
| INSULATOR      | PTFE             | -                         |
| GASKET         | SILICONE RUBBER  | -                         |
| OTHERS PARTS   | BRASS            | GOLD 0.2 OVER NICKEL 2    |
| -              | -                | -                         |
| -              | -                | -                         |

Issue : 1227 E

In the effort to improve our products, we reserve the right to make changes judged to be necessary.



**STRAIGHT BULKHEAD JACK PANEL SEAL**

**R125.326.000**

**SOLDER TYPE-CABLE .085**

Series : SMA

**PACKAGING**

| Standard   | Unit              | Other             |
|------------|-------------------|-------------------|
| <b>100</b> | <b>'W' option</b> | <b>Contact us</b> |

**SPECIFICATION**

**CABLE ASSEMBLY**

**ELECTRICAL CHARACTERISTICS**

| Stripping | a    | b    | c    | d    | e    | f    |
|-----------|------|------|------|------|------|------|
| mm        | 3,17 | 0,00 | 0,00 | 0,00 | 0,00 | 0,00 |

|                                 |                      |                          |
|---------------------------------|----------------------|--------------------------|
| Impedance                       | <b>50</b>            | $\Omega$                 |
| Frequency                       | <b>0-18</b>          | GHz                      |
| VSWR                            | <b>1.07 + 0,0080</b> | x F(GHz) Maxi            |
| Insertion loss                  | <b>0.03</b>          | $\sqrt{F}$ (GHz) dB Maxi |
| RF leakage                      | - ( <b>90</b> )      | - F(GHz) dB Maxi         |
| Voltage rating                  | <b>335</b>           | Veff Maxi                |
| Dielectric withstanding voltage | <b>750</b>           | Veff mini                |
| Insulation resistance           | <b>5000</b>          | M $\Omega$ mini          |

Assembly instruction : **Solder 01**

Recommended cable(s)

RG 405

KS 1

Characteristics indicated on this data sheet are those that can be achieved with the highest performance cable. Intrinsic limitations of the cable may diminish the performance of the assembly

Cable retention

- pull off **130** N mini  
 - torque **NA** N.cm

**MECHANICAL CHARACTERISTICS**

**TOOLING**

|                            |                     |
|----------------------------|---------------------|
| Center contact retention   |                     |
| Axial force – Mating end   | <b>NA</b> N mini    |
| Axial force – Opposite end | <b>NA</b> N mini    |
| Torque                     | <b>NA</b> N.cm mini |

| Part Number  | Description                          | Hexagon     |
|--------------|--------------------------------------|-------------|
| R282.744.010 | SOLDERING POSITIONER (BODY)          |             |
| R282.051.000 | STRIPPING TOOL                       |             |
| R282.063.000 | POINTER GAUGE                        |             |
| R282.120.010 | SMA TOOLBOX                          |             |
| R282.730.043 | INSULATOR MOUNTING TOOL              |             |
| R282.740.000 | SOLDERING MOUNTING                   |             |
| R282.744.220 | SOLDERING POSITIONER(CENTER CONTACT) |             |
| R282.862.060 | CONTROL GAUGE                        | POSITION 61 |
| R282.914.010 | DIELETRIC RECESS GAUGE               |             |
| R282.915.010 | DIELECTRIC RECESS TOOL               |             |

|                    |                  |
|--------------------|------------------|
| Recommended torque |                  |
| Mating             | <b>NA</b> N.cm   |
| Panel nut          | <b>150</b> N.cm  |
| Clamp nut          | <b>NA</b> N.cm   |
| A/F clamp nut      | <b>0,0000</b> mm |

|             |                        |
|-------------|------------------------|
| Mating life | <b>500</b> Cycles mini |
| Weight      | <b>3,2900</b> g        |

**ENVIRONMENTAL**

**OTHER CHARACTERISTICS**

|                       |                    |
|-----------------------|--------------------|
| Operating temperature | <b>-65/+105</b> °C |
| Hermetic seal         | Atm.cm3/s          |
| Panel leakage         |                    |

Issue : 1227 E

In the effort to improve our products, we reserve the right to make changes judged to be necessary.

