

# SACC-DSI-M12FS-8CON-PG9/0,5 VA - Device connector, rear mounting



1554720

<https://www.phoenixcontact.com/in/products/1554720>

Please be informed that the data shown in this PDF document is generated from our Online Catalog. Please find the complete data in the user documentation. Our General Terms of Use for Downloads are valid.



Device connector, rear mounting, Universal, 8-position, Flush-type female connector, straight, M12-Standard, coding: A , on free cable end, Rear mounting, Pg9, Individual wires, cable length: 0.5 m, 0.25 mm<sup>2</sup>, TPE litz wire, Alternative product in accordance with RoHS II without Exemption 6c (Pb <0.1%) item no.: 1240042

## Your advantages

- Pre-assembled with litz wires for immediate use
- Customer-specific assemblies and litz wire lengths available
- Sealed on the litz wire side for optimum leak-tightness
- All standard pin assignments and codings for signal, data, and power transmission with a uniform design-in design
- For high transmission safety: shield connection to the housing with optional EMC nut

## Commercial Data

Item number	1554720
Packing unit	1 pc
Minimum order quantity	1 pc
Sales Key	ABQ
Product Key	ABQCFD
Catalog Page	Page 270 (C-2-2013)
GTIN	4046356170376
Weight per Piece (including packing)	29.2 g
Weight per Piece (excluding packing)	28 g
Customs tariff number	85366990
Country of origin	DE

# SACC-DSI-M12FS-8CON-PG9/0,5 VA - Device connector, rear mounting



1554720

<https://www.phoenixcontact.com/in/products/1554720>

## Technical Data

### Notes

Notes on operation	The electrical and mechanical data specified assume that the connector pair is correctly locked and mounted. If the connector is unlocked and if there is a danger of contamination, the connector must be sealed using a protective cap > IP54. Influences arising from litz wires, cables or PCB assembly must also be taken into consideration.
--------------------	----------------------------------------------------------------------------------------------------------------------------------------------------------------------------------------------------------------------------------------------------------------------------------------------------------------------------------------------------

### Mounting

Mounting type	Rear mounting Pg9 With locking nut
Assembly instructions	With locking nut

### Product properties

Product type	Circular connectors (device side)
Number of positions	8
Shielded	no
Coding	A
Thread type	M12

### Insulation characteristics

Overvoltage category	II
Degree of pollution	3

### Material specifications

Flammability rating according to UL 94	V0
Seal material	FKM
Contact material	CuZn
Contact surface material	Au
Contact carrier material	PA 6.6
Material for screw connection	Stainless steel
Conductor material	Tin-plated Cu litz wires

### Electrical properties

Rated surge voltage	0.8 kV
Contact resistance	$\leq 3 \text{ m}\Omega$
Insulation resistance	$\geq 100 \text{ M}\Omega$
Nominal voltage $U_N$	30 V (AC)
	30 V (DC)
Nominal current $I_N$	2 A

### Connection data

Conductor connection

# SACC-DSI-M12FS-8CON-PG9/0,5 VA - Device connector, rear mounting



1554720

<https://www.phoenixcontact.com/in/products/1554720>

Connection method	Individual wires
Type of contact	Crimp contacts
Conductor cross section	0.25 mm <sup>2</sup>
Tightening torque	2 Nm
	3 Nm

## Connector

### Connection 1

Head design	Flush-type female connector
Head cable outlet	straight
Head thread type	M12
Head locking type	Standard
Coding	A

### Connection 2

Head design	free cable end
-------------	----------------

## Cable/line

Cable length	0.5 m
Cable type	TPE litz wire
Signal type/category	Universal
Wire diameter incl. insulation	1.15 mm ±0.07 mm
Single wire, color	brown, blue, white, gray, pink, green, yellow, red
Conductor material	Tin-plated Cu litz wires
Conductor structure signal line	14x 0.15 mm
AWG signal line	24
Material wire insulation	TPE
Thickness, insulation	0.21 mm
Nominal voltage, cable	300 V
Test voltage, cable	2000 V AC
Cable resistance	≤ 80 Ω/km
Cable insulation resistance	≥ 20 MΩ*km
Ambient temperature (operation)	-40 °C ... 85 °C (cable, fixed installation)
	-25 °C ... 85 °C (Cable, flexible installation)

## Environmental and real-life conditions

### Ambient conditions

Degree of protection	IP65/IP67/IP69/IP69K
	IP65/IP67/IP69K
Ambient temperature (operation)	-25 °C ... 85 °C (Plug / socket)
	-40 °C ... 85 °C (without mechanical actuation)
	-25 °C ... 85 °C (Cable, flexible installation)

# SACC-DSI-M12FS-8CON-PG9/0,5 VA - Device connector, rear mounting



1554720

<https://www.phoenixcontact.com/in/products/1554720>

---

-40 °C ... 85 °C (cable, fixed installation)
----------------------------------------------

---

## Standards and regulations

M12

---

Standards/specifications
--------------------------

---

IEC 61076-2-101
-----------------

---

# SACC-DSI-M12FS-8CON-PG9/0,5 VA - Device connector, rear mounting

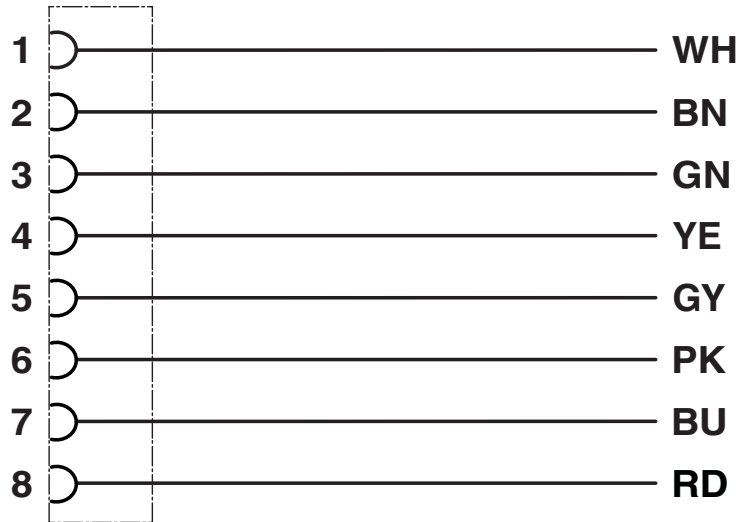


1554720

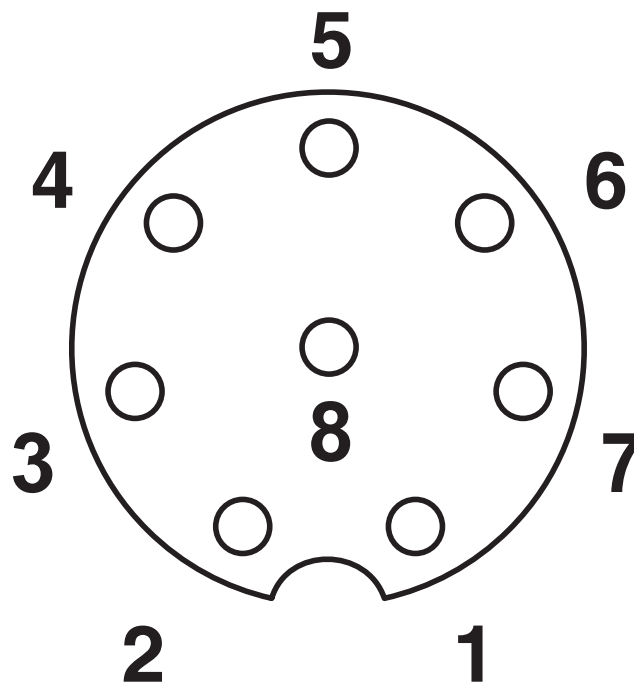
<https://www.phoenixcontact.com/in/products/1554720>

## Drawings

Circuit diagram



Schematic diagram



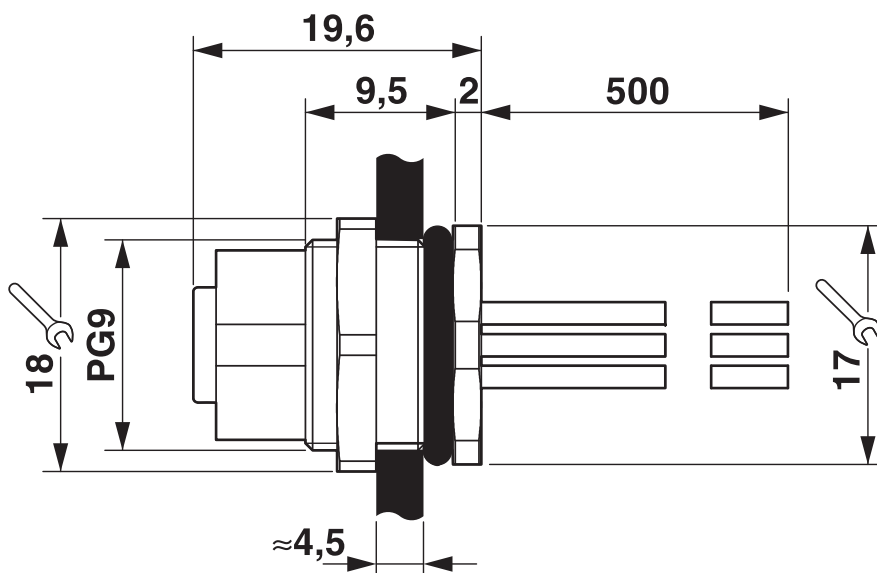
Pin assignment M12 socket, 8-pos., A-coded, view female side

# SACC-DSI-M12FS-8CON-PG9/0,5 VA - Device connector, rear mounting

1554720

<https://www.phoenixcontact.com/in/products/1554720>

Dimensional drawing



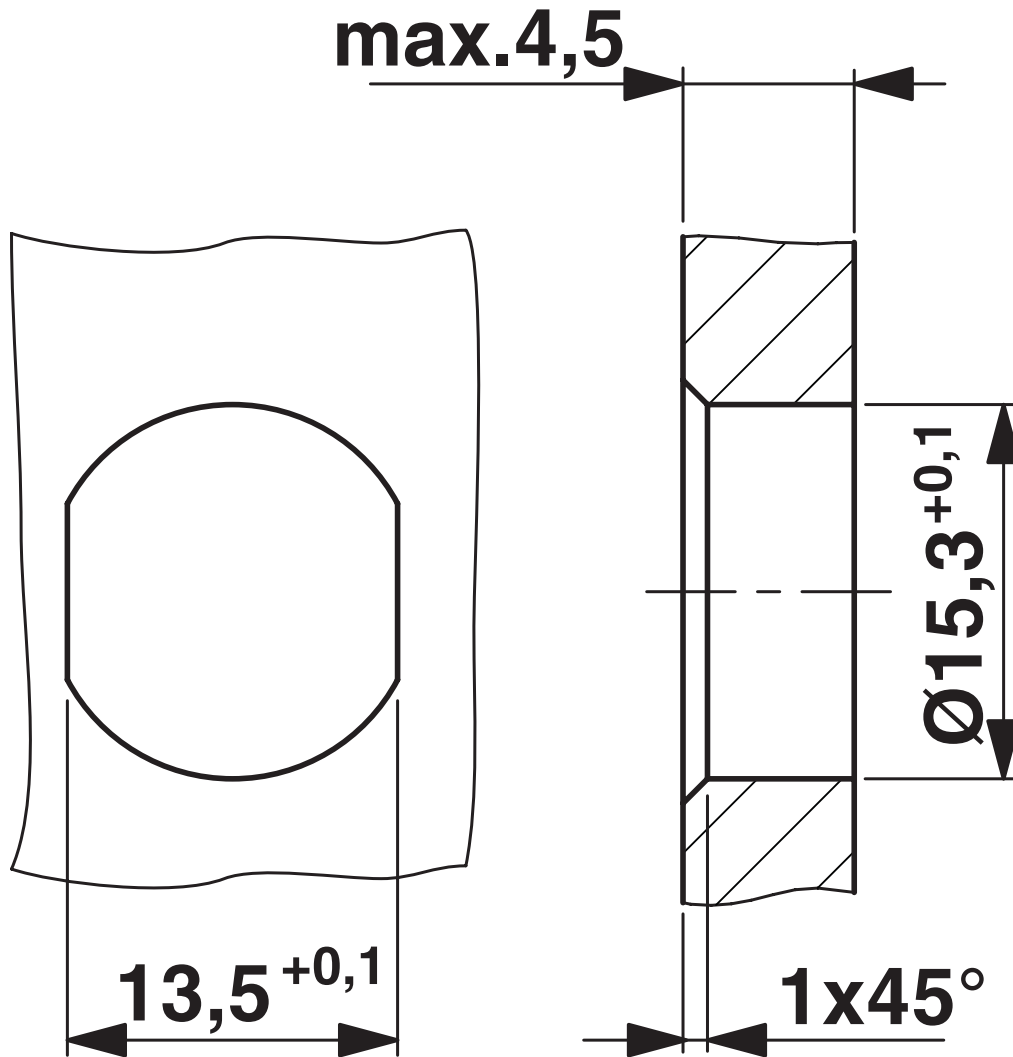
Dimensional drawing

SACC-DSI-M12FS-8CON-PG9/0,5 VA - Device  
connector, rear mounting

1554720

<https://www.phoenixcontact.com/in/products/1554720>

Dimensional drawing



Housing cutout for Pg9 fastening thread, mounting panel with feed-through hole (alternatively with surface as protection against rotation)

# SACC-DSI-M12FS-8CON-PG9/0,5 VA - Device connector, rear mounting



1554720

<https://www.phoenixcontact.com/in/products/1554720>

## Approvals



### UL Recognized

Approval ID: E118976-20100522

	Nominal Voltage $U_N$	Nominal Current $I_N$	Cross Section AWG	Cross Section $\text{mm}^2$
	30 V	2 A	- 24	-



### EAC

Approval ID: B.01687



### cULus Recognized

Approval ID: E221474-20140616

	Nominal Voltage $U_N$	Nominal Current $I_N$	Cross Section AWG	Cross Section $\text{mm}^2$
	30 V	2 A	24 - 22	-



# SACC-DSI-M12FS-8CON-PG9/0,5 VA - Device connector, rear mounting



1554720

<https://www.phoenixcontact.com/in/products/1554720>

## Classifications

### ECLASS

ECLASS-11.0	27440102
ECLASS-12.0	27440116
ECLASS-13.0	27440116

### ETIM

ETIM 8.0	EC002635
----------	----------

### UNSPSC

UNSPSC 21.0	39121400
-------------	----------

# SACC-DSI-M12FS-8CON-PG9/0,5 VA - Device connector, rear mounting



1554720

<https://www.phoenixcontact.com/in/products/1554720>

## Environmental Product Compliance

REACH SVHC	Lead 7439-92-1
China RoHS	Environmentally Friendly Use Period = 50 years
	For information on hazardous substances, refer to the manufacturer's declaration available under "Downloads"

# SACC-DSI-M12FS-8CON-PG9/0,5 VA - Device connector, rear mounting



1554720

<https://www.phoenixcontact.com/in/products/1554720>

## Accessories

### PROT-M12 - Screw plug

1680539

<https://www.phoenixcontact.com/in/products/1680539>



An M12 screw plug for the unoccupied M12 sockets of the sensor/actuator cable, boxes and flush-type connectors

---

### PROT-M12 SH - Screw plug

1503302

<https://www.phoenixcontact.com/in/products/1503302>



An M12 screw plug for the unoccupied M12 sockets of the shielded sensor/actuator cable, boxes and flush-type connectors

# SACC-DSI-M12FS-8CON-PG9/0,5 VA - Device connector, rear mounting



1554720

<https://www.phoenixcontact.com/in/products/1554720>

## PROT-M12 FB - Screw plug

1555538

<https://www.phoenixcontact.com/in/products/1555538>



M12 high-grade steel screw plug, for unoccupied M12 sockets of the sensor/actuator cables, boxes and flush-type connectors for the food industry

---

## SACC-PG9-SEAL CLM - Flat gasket

1556320

<https://www.phoenixcontact.com/in/products/1556320>

Pg9 flat gasket, for M12 flush-type connectors with Pg9 fastening thread



---

Phoenix Contact 2023 © - all rights reserved

<https://www.phoenixcontact.com>

PHOENIX CONTACT (I) Pvt. Ltd.

A-58/2, Okhla Industrial Area, Phase - II, New Delhi-110 020

+91.1275.71420

[info@phoenixcontact.co.in](mailto:info@phoenixcontact.co.in)