

SACC-DSI-M12FS-5CON-PG9/0,5 VA - Device connector, rear mounting



1554717

<https://www.phoenixcontact.com/in/products/1554717>

Please be informed that the data shown in this PDF document is generated from our Online Catalog. Please find the complete data in the user documentation. Our General Terms of Use for Downloads are valid.



Device connector, rear mounting, Universal, 5-position, Flush-type female connector, straight, M12-Standard, coding: A , on free cable end, Rear mounting, Pg9, Individual wires, cable length: 0.5 m, 0.34 mm², TPE litz wire

Your advantages

- Pre-assembled with litz wires for immediate use
- Customer-specific assemblies and litz wire lengths available
- Sealed on the litz wire side for optimum leak-tightness
- All standard pin assignments and codings for signal, data, and power transmission with a uniform design-in design
- For high transmission safety: shield connection to the housing with optional EMC nut

Commercial Data

Item number	1554717
Packing unit	1 pc
Minimum order quantity	1 pc
Sales Key	ABQ
Product Key	ABQCFD
Catalog Page	Page 270 (C-2-2013)
GTIN	4046356170369
Weight per Piece (including packing)	36.5 g
Weight per Piece (excluding packing)	26.1 g
Customs tariff number	85366990
Country of origin	DE

SACC-DSI-M12FS-5CON-PG9/0,5 VA - Device connector, rear mounting



1554717

<https://www.phoenixcontact.com/in/products/1554717>

Technical Data

Notes

Notes on operation	The electrical and mechanical data specified assume that the connector pair is correctly locked and mounted. If the connector is unlocked and if there is a danger of contamination, the connector must be sealed using a protective cap > IP54. Influences arising from litz wires, cables or PCB assembly must also be taken into consideration.
Safety note	<p data-bbox="849 817 1452 902">WARNING: The connectors may not be plugged in or disconnected under load. Ignoring the warning or improper use may damage persons and/or property.</p> <ul data-bbox="849 913 1468 2087" style="list-style-type: none"><li data-bbox="849 913 1436 1025">• WARNING: Commission properly functioning products only. The products must be regularly inspected for damage. Decommission defective products immediately. Replace damaged products. Repairs are not possible.<li data-bbox="849 1037 1468 1238">• WARNING: Only electrically qualified personnel may install and operate the product. They must observe the following safety notes. The qualified personnel must be familiar with the basics of electrical engineering. They must be able to recognize and prevent danger. The relevant symbol on the packaging indicates that only personnel familiar with electrical engineering are allowed to install and operate the product.<li data-bbox="849 1249 1436 1305">• The products are suitable for applications in plant, controller, and electrical device engineering.<li data-bbox="849 1317 1436 1373">• When operating the connectors in outdoor applications, they must be separately protected against environmental influences.<li data-bbox="849 1384 1420 1440">• Assembled products may not be manipulated or improperly opened.<li data-bbox="849 1451 1436 1541">• Only use mating connectors that are specified in the technical data of the standards listed (e.g. the ones listed in the product accessories online at phoenixcontact.com/products).<li data-bbox="849 1552 1420 1608">• When using the product in direct connection with third-party manufacturers, the user is responsible.<li data-bbox="849 1619 1388 1675">• For operating voltages > 50 V AC, conductive connector housings must be grounded<li data-bbox="849 1686 1404 1776">• Ensure that when laying the cable, the tensile load on the connectors does not exceed the upper limit specified in the standards.<li data-bbox="849 1787 1388 1955">• Observe the corresponding technical data. You will find information:<ul data-bbox="849 1843 1404 1955" style="list-style-type: none"><li data-bbox="849 1843 1005 1872">o On the product<li data-bbox="849 1872 1053 1901">o On the packing label<li data-bbox="849 1901 1149 1930">o In the supplied documentation<li data-bbox="849 1930 1404 1955">o Online at phoenixcontact.com/products under the product<li data-bbox="849 1966 1324 1995">• Only use tools recommended by Phoenix Contact<li data-bbox="849 2007 1452 2087">• Use a protective cap to protect connectors that are not in use. The suitable accessories are available online in the accessory section of the product at phoenixcontact.com/products

SACC-DSI-M12FS-5CON-PG9/0,5 VA - Device connector, rear mounting



1554717

<https://www.phoenixcontact.com/in/products/1554717>

	<ul style="list-style-type: none">• Ensure that the protective or functional ground has been properly connected.
	<ul style="list-style-type: none">• VDE 0100/1.97 § 411.1.3.2 and DIN EN 60 204/11.98 § 14.1.3 are applicable when combining several circuits in a cable and/or connector
	<ul style="list-style-type: none">• The connector warms up in normal operation. Depending on the ambient conditions, the surface of the connector can continue to warm up. In this case, the user is responsible for posting warnings (e.g. DIN EN ISO 13732-1:2008-12).

Mounting

Mounting type	Rear mounting Pg9 With locking nut
Assembly instructions	With locking nut

Product properties

Product type	Circular connectors (device side)
Number of positions	5
Shielded	no
Coding	A
Thread type	M12

Insulation characteristics

Overvoltage category	III
Degree of pollution	3

Material specifications

Flammability rating according to UL 94	V0
Seal material	FKM
Contact material	CuZn
Contact surface material	Au
Contact carrier material	PA 6.6
Material for screw connection	Stainless steel
Conductor material	Tin-plated Cu litz wires

Electrical properties

Rated surge voltage	1.5 kV
Contact resistance	≤ 3 mΩ
Insulation resistance	≥ 100 MΩ
Nominal voltage U_N	60 V (AC) 60 V (DC)
Nominal current I_N	4 A
Test voltage	1.5 kV

Connection data

Conductor connection

SACC-DSI-M12FS-5CON-PG9/0,5 VA - Device connector, rear mounting



1554717

<https://www.phoenixcontact.com/in/products/1554717>

Connection method	Individual wires
Type of contact	Crimp contacts
Conductor cross section	0.34 mm ²
Tightening torque	2 Nm
	3 Nm

Connector

Connection 1

Head design	Flush-type female connector
Head cable outlet	straight
Head thread type	M12
Head locking type	Standard
Coding	A

Connection 2

Head design	free cable end
-------------	----------------

Cable/line

Cable length	0.5 m
Cable type	TPE litz wire
Signal type/category	Universal
Wire diameter incl. insulation	1.2 mm ±0.07 mm
Single wire, color	black, brown, blue, white, gray
Conductor material	Tin-plated Cu litz wires
Conductor structure signal line	7x 0.25 mm
AWG signal line	22
Material wire insulation	TPE
Thickness, insulation	0.21 mm
Nominal voltage, cable	300 V
Test voltage, cable	2000 V AC
Cable resistance	≤ 57.6 mΩ/m
Cable insulation resistance	≥ 20 MΩ*km
Ambient temperature (operation)	-40 °C ... 85 °C (cable, fixed installation)
	-25 °C ... 85 °C (Cable, flexible installation)

Environmental and real-life conditions

Ambient conditions

Degree of protection	IP65/IP67/IP69/IP69K
	IP69K
	IP65/IP67/IP69K
Ambient temperature (operation)	-25 °C ... 85 °C (Plug / socket)
	-40 °C ... 85 °C (without mechanical actuation)

SACC-DSI-M12FS-5CON-PG9/0,5 VA - Device connector, rear mounting



1554717

<https://www.phoenixcontact.com/in/products/1554717>

	-25 °C ... 85 °C (Cable, flexible installation)
	-40 °C ... 85 °C (cable, fixed installation)

Standards and regulations

M12

Standards/specifications	IEC 61076-2-101
--------------------------	-----------------

SACC-DSI-M12FS-5CON-PG9/0,5 VA - Device connector, rear mounting

1554717

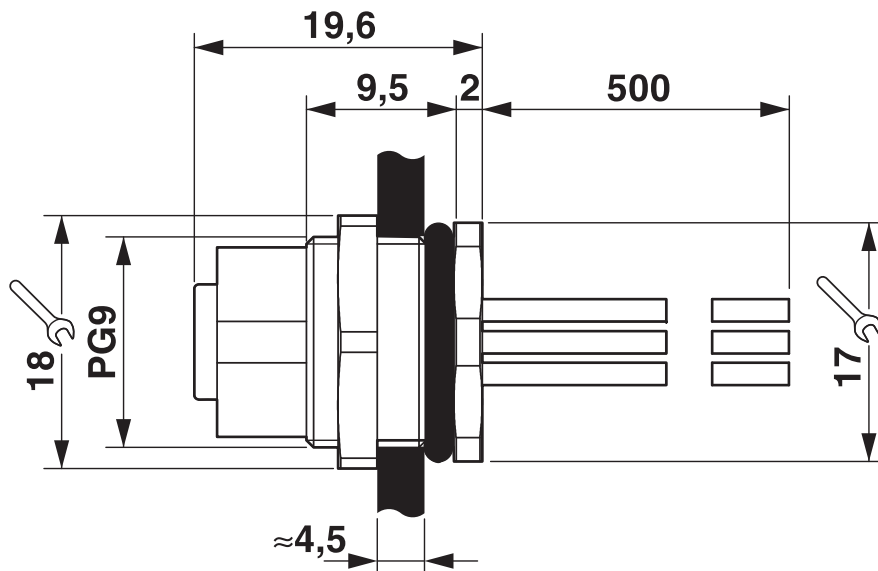
<https://www.phoenixcontact.com/in/products/1554717>

Drawings

Circuit diagram



Dimensional drawing



Dimensional drawing

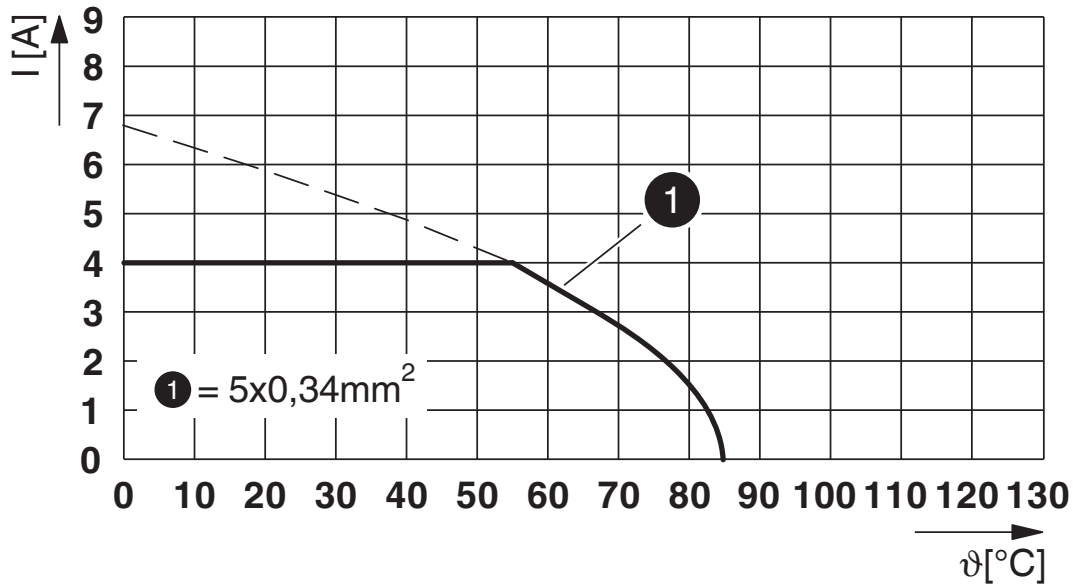
SACC-DSI-M12FS-5CON-PG9/0,5 VA - Device connector, rear mounting



1554717

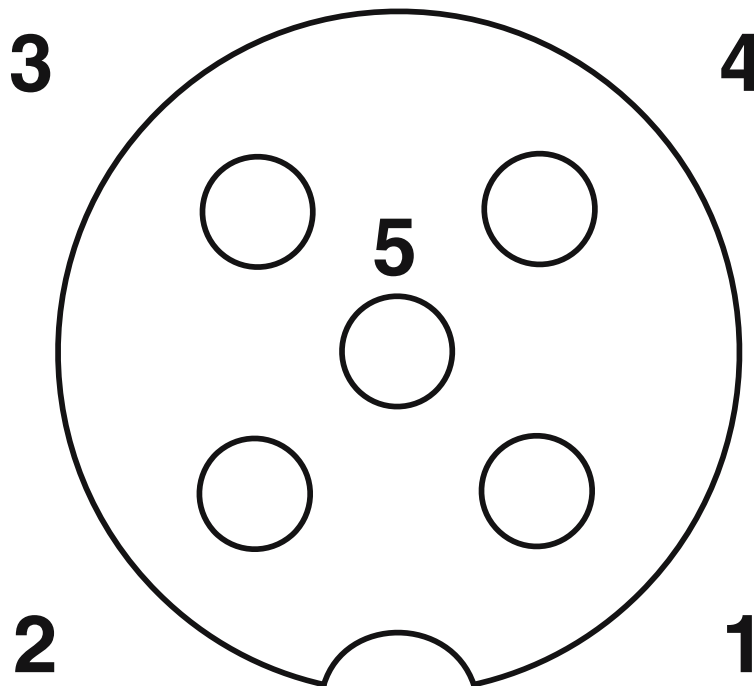
<https://www.phoenixcontact.com/in/products/1554717>

Diagram



I = current strength, T = ambient temperature

Schematic diagram



Pin assignment M12 socket, 5-pos., A-coded, socket side view


SACC-DSI-M12FS-5CON-PG9/0,5 VA - Device connector, rear mounting




1554717

<https://www.phoenixcontact.com/in/products/1554717>

Approvals

	cUL Recognized Approval ID: E118976-20100522				
	Nominal Voltage U_N	Nominal Current I_N	Cross Section AWG	Cross Section mm^2	
	60 V	4 A	- 22	-	

	UL Recognized Approval ID: E118976-20100522				
	Nominal Voltage U_N	Nominal Current I_N	Cross Section AWG	Cross Section mm^2	
	60 V	4 A	- 22	-	

	EAC Approval ID: B.01687				
--	------------------------------------	--	--	--	--

	cULus Recognized Approval ID: E221474-20140616				
	Nominal Voltage U_N	Nominal Current I_N	Cross Section AWG	Cross Section mm^2	
	60 V	4 A	22 - 20	-	

SACC-DSI-M12FS-5CON-PG9/0,5 VA - Device connector, rear mounting



1554717

<https://www.phoenixcontact.com/in/products/1554717>

Classifications

ECLASS

ECLASS-11.0	27440102
ECLASS-12.0	27440116
ECLASS-13.0	27440116

ETIM

ETIM 8.0	EC002635
----------	----------

UNSPSC

UNSPSC 21.0	39121400
-------------	----------

SACC-DSI-M12FS-5CON-PG9/0,5 VA - Device connector, rear mounting



1554717

<https://www.phoenixcontact.com/in/products/1554717>

Environmental Product Compliance

China RoHS	Environmentally friendly use period: unlimited = EFUP-e
	No hazardous substances above threshold values

SACC-DSI-M12FS-5CON-PG9/0,5 VA - Device connector, rear mounting



1554717

<https://www.phoenixcontact.com/in/products/1554717>

Accessories

PROT-M12 - Screw plug

1680539

<https://www.phoenixcontact.com/in/products/1680539>



An M12 screw plug for the unoccupied M12 sockets of the sensor/actuator cable, boxes and flush-type connectors

PROT-M12 SH - Screw plug

1503302

<https://www.phoenixcontact.com/in/products/1503302>



An M12 screw plug for the unoccupied M12 sockets of the shielded sensor/actuator cable, boxes and flush-type connectors

SACC-DSI-M12FS-5CON-PG9/0,5 VA - Device connector, rear mounting



1554717

<https://www.phoenixcontact.com/in/products/1554717>

PROT-M12 FB - Screw plug

1555538

<https://www.phoenixcontact.com/in/products/1555538>



M12 high-grade steel screw plug, for unoccupied M12 sockets of the sensor/actuator cables, boxes and flush-type connectors for the food industry

SACC-PG9-SEAL CLM - Flat gasket

1556320

<https://www.phoenixcontact.com/in/products/1556320>

Pg9 flat gasket, for M12 flush-type connectors with Pg9 fastening thread



Phoenix Contact 2023 © - all rights reserved

<https://www.phoenixcontact.com>

PHOENIX CONTACT (I) Pvt. Ltd.

A-58/2, Okhla Industrial Area, Phase - II, New Delhi-110 020

+91.1275.71420

info@phoenixcontact.co.in