

VC-AR3/4M - Panel mounting frames



1852998

<https://www.phoenixcontact.com/in/products/1852998>

Please be informed that the data shown in this PDF document is generated from our Online Catalog. Please find the complete data in the user documentation. Our General Terms of Use for Downloads are valid.



Panel mounting frame, Range of articles: VARIOCON, Panel mounting frames, design: VC3, housing material: Polyamide. 2 x 1852862 VC-AF for each connector

Commercial Data

Item number	1852998
Packing unit	5 pc
Minimum order quantity	5 pc
Sales Key	ABL
Product Key	ABLABD
Catalog Page	Page 25 (C-2-2013)
GTIN	4017918127220
Weight per Piece (including packing)	13 g
Weight per Piece (excluding packing)	11.8 g
Customs tariff number	85389099
Country of origin	PL

Technical Data

Notes

General	2 x 1852862 VC-AF for each connector
Safety note	<p data-bbox="847 618 1449 701">WARNING: The connectors may not be plugged in or disconnected under load. Ignoring the warning or improper use may damage persons and/or property.</p> <ul style="list-style-type: none"> <li data-bbox="847 719 1430 824">• WARNING: Commission properly functioning products only. The products must be regularly inspected for damage. Decommission defective products immediately. Replace damaged products. Repairs are not possible. <li data-bbox="847 842 1469 1037">• WARNING: Only electrically qualified personnel may install and operate the product. They must observe the following safety notes. The qualified personnel must be familiar with the basics of electrical engineering. They must be able to recognize and prevent danger. The relevant symbol on the packaging indicates that only personnel familiar with electrical engineering are allowed to install and operate the product. <li data-bbox="847 1055 1437 1106">• The products are suitable for applications in plant, controller, and electrical device engineering. <li data-bbox="847 1124 1449 1176">• When operating the connectors in outdoor applications, they must be separately protected against environmental influences. <li data-bbox="847 1193 1426 1245">• Assembled products may not be manipulated or improperly opened. <li data-bbox="847 1263 1449 1341">• Only use mating connectors that are specified in the technical data of the standards listed (e.g. the ones listed in the product accessories online at phoenixcontact.com/products). <li data-bbox="847 1359 1430 1411">• When using the product in direct connection with third-party manufacturers, the user is responsible. <li data-bbox="847 1429 1398 1480">• For operating voltages > 50 V AC, conductive connector housings must be grounded <li data-bbox="847 1498 1398 1550">• Ensure that the protective or functional ground has been properly connected. <li data-bbox="847 1568 1461 1646">• VDE 0100/1.97 § 411.1.3.2 and DIN EN 60 204/11.98 § 14.1.3 are applicable when combining several circuits in a cable and/or connector <li data-bbox="847 1664 1417 1830">• Observe the corresponding technical data. You will find information: <ul style="list-style-type: none"> <li data-bbox="847 1718 1011 1744">o On the product <li data-bbox="847 1749 1062 1776">o On the packing label <li data-bbox="847 1780 1153 1807">o In the supplied documentation <li data-bbox="847 1812 1417 1839">o Online at phoenixcontact.com/products under the product <li data-bbox="847 1848 1337 1874">• Only use tools recommended by Phoenix Contact <li data-bbox="847 1892 1406 1968">• The installation notes/Design In documents online on the download page at phoenixcontact.com/products must be observed for this product. <li data-bbox="847 1986 1449 2065">• Use a protective cap to protect connectors that are not in use. The suitable accessories are available online in the accessory section of the product at phoenixcontact.com/products <li data-bbox="847 2083 1374 2110">• Operate the connector only when it is fully plugged in.

VC-AR3/4M - Panel mounting frames

1852998

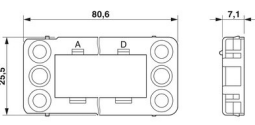
<https://www.phoenixcontact.com/in/products/1852998>

- Ensure that when laying the cable, the tensile load on the connectors does not exceed the upper limit specified in the standards.
- Observe the minimum bending radius of the cable. Lay the cable without twisting it.
- The connector warms up in normal operation. Depending on the ambient conditions, the surface of the connector can continue to warm up. In this case, the user is responsible for posting warnings (e.g. DIN EN ISO 13732-1:2008-12).

Product properties

Type	VC3
Product type	Panel mounting frame
Product family	VARIOCON
Number of module slots	4
Series	VC-M

Dimensions

Dimensional drawing	
Width	80.6 mm
Height	25.5 mm
Depth	7.1 mm
Length	17.1 mm

Material specifications

Color of the housing part	black
Material	Polyamide
Material	PA-GF
Flammability rating according to UL 94	V0
Housing material	Polyamide

Environmental and real-life conditions

Ambient conditions

Ambient temperature (operation)	-40 °C ... 125 °C
---------------------------------	-------------------

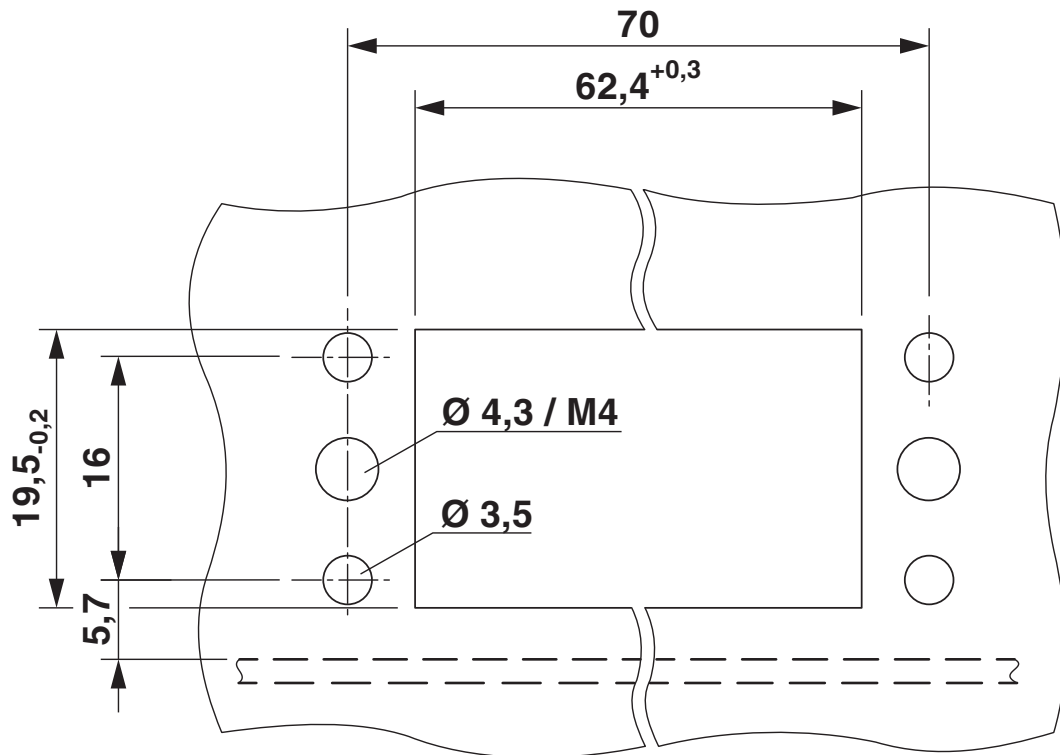
VC-AR3/4M - Panel mounting frames

1852998

<https://www.phoenixcontact.com/in/products/1852998>

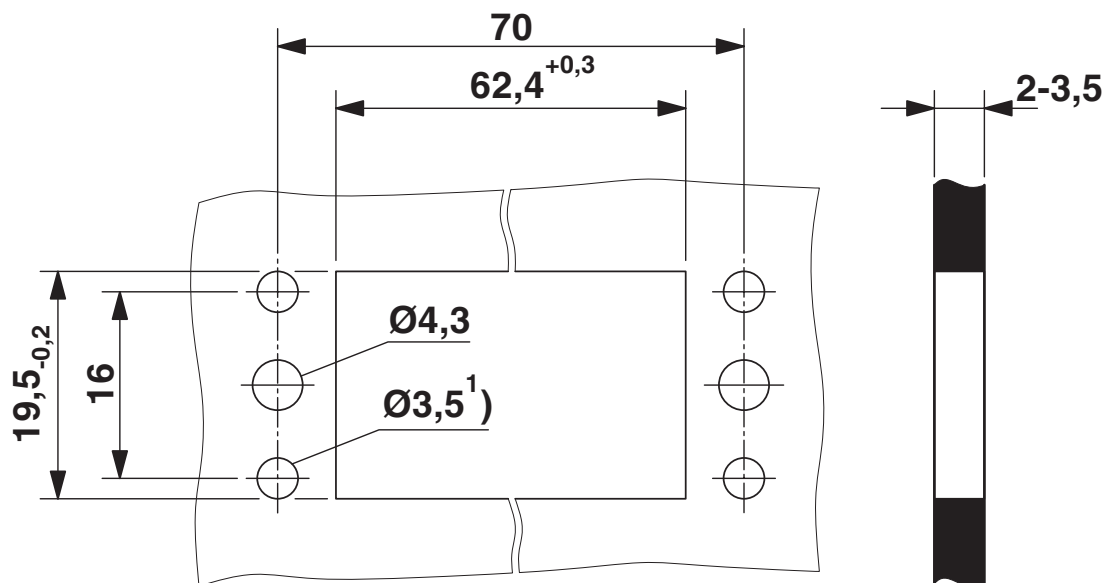
Drawings

Dimensional drawing



a - PCB

Dimensional drawing



Housing cutout

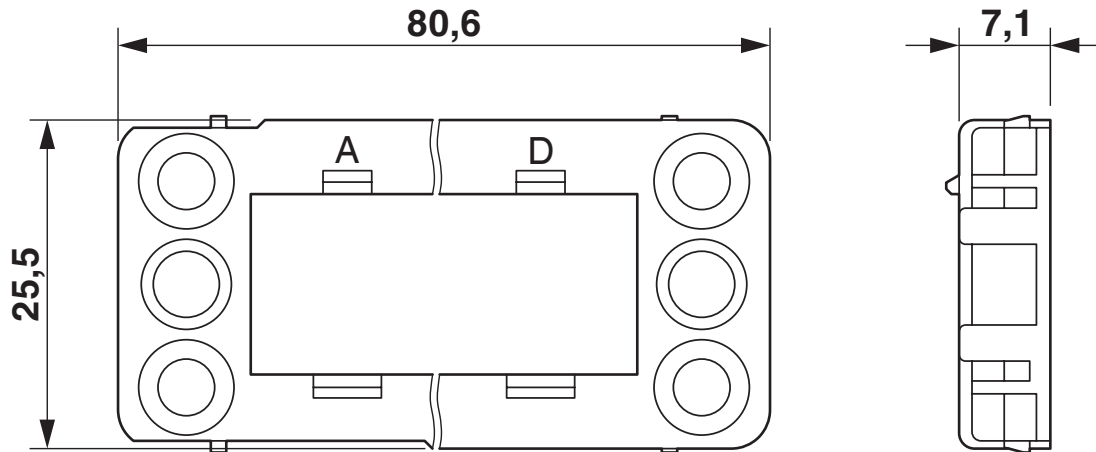
VC-AR3/4M - Panel mounting frames

1852998

<https://www.phoenixcontact.com/in/products/1852998>



Dimensional drawing



Panel mounting frame dimensional drawing

VC-AR3/4M - Panel mounting frames



1852998

<https://www.phoenixcontact.com/in/products/1852998>

Approvals



EAC

Approval ID: B.01687

VC-AR3/4M - Panel mounting frames



1852998

<https://www.phoenixcontact.com/in/products/1852998>

Classifications

ECLASS

ECLASS-11.0	27440210
ECLASS-12.0	27440210
ECLASS-13.0	27440210

ETIM

ETIM 8.0	EC002310
----------	----------

UNSPSC

UNSPSC 21.0	39121400
-------------	----------

VC-AR3/4M - Panel mounting frames



1852998

<https://www.phoenixcontact.com/in/products/1852998>

Environmental Product Compliance

China RoHS	Environmentally friendly use period: unlimited = EFUP-e
	No hazardous substances above threshold values

VC-AR3/4M - Panel mounting frames

1852998

<https://www.phoenixcontact.com/in/products/1852998>



Accessories

VC-AF - Panel-mount flange

1852862

<https://www.phoenixcontact.com/in/products/1852862>



Panel mounting flange for screw locking, for mounting contact insert modules, for a panel thickness of 1 - 5 mm

VC-SD-A3 - Protective cover

1886786

<https://www.phoenixcontact.com/in/products/1886786>



Protective cover, Protective cover, design: VC3, housing material: PA 6, color: gray

VC-AR3/4M - Panel mounting frames

1852998

<https://www.phoenixcontact.com/in/products/1852998>



VC-AR3-EMV - Panel mounting frames

1853230

<https://www.phoenixcontact.com/in/products/1853230>



Shroud, Range of articles: VARIOCON, Panel mounting frames, design: VC3, housing material: Copper alloy. For painted surfaces with conductive panel cutout

VC-AFOS 2 - Contact insert

1885240

<https://www.phoenixcontact.com/in/products/1885240>



Contact insert module, for panel mounting frames for accommodating 2 optical fibers VC-FSMA-M ... Quick mounting connectors

VC-AR3/4M - Panel mounting frames

1852998

<https://www.phoenixcontact.com/in/products/1852998>

VC-AMLV 6 - Contact insert

1884872

<https://www.phoenixcontact.com/in/products/1884872>



Contact insert, Range of articles: VARIOCON, Contact insert, housing material: Polyamide, color: light grey, number of positions: 6, rated voltage: 250, rated current: 10 A, Connection method: PCB connection, Type of contact: Pin. Connectors may only be connected/disconnected when under no load.

VC-AML 6 - Contact insert

1853531

<https://www.phoenixcontact.com/in/products/1853531>



Contact insert, Range of articles: VARIOCON, Contact insert, housing material: Polyamide, color: light grey, number of positions: 6, rated voltage: 250, rated current: 10 A, Connection method: PCB connection, Type of contact: Pin. Connectors may only be connected/disconnected when under no load.

VC-AR3/4M - Panel mounting frames

1852998

<https://www.phoenixcontact.com/in/products/1852998>

VC-AMS 6 - Contact insert

1854019

<https://www.phoenixcontact.com/in/products/1854019>



Contact insert, Range of articles: VARIOCON, Contact insert, housing material: Polyamide, color: light grey, number of positions: 6, min. conductor cross section: 0.14 mm², max. conductor cross section: 1.5 mm², rated voltage: 250, rated current: 10 A, Connection method: Screw connection, Type of contact: Pin. Connectors may only be connected/disconnected when under no load.

VC-AMS 6-PE - Contact insert

1583555

<https://www.phoenixcontact.com/in/products/1583555>



Contact insert, Range of articles: VARIOCON, Contact insert, housing material: Polyamide, color: light grey, number of positions: 6, min. conductor cross section: 0.14 mm², max. conductor cross section: 1.5 mm², rated voltage: 250, rated current: 10 A, Connection method: Screw connection, Type of contact: Pin. Connectors may only be connected/disconnected when under no load.

VC-AR3/4M - Panel mounting frames

1852998

<https://www.phoenixcontact.com/in/products/1852998>

VC-AMLV 8 - Contact insert

1884885

<https://www.phoenixcontact.com/in/products/1884885>



Contact insert, Range of articles: VARIOCON, Contact insert, housing material: Polyamide, color: light grey, number of positions: 8, rated voltage: 160, rated current: 10 A, Connection method: PCB connection, Type of contact: Pin. Connectors may only be connected/disconnected when under no load.

VC-AML 8 - Contact insert

1852833

<https://www.phoenixcontact.com/in/products/1852833>



Contact insert, Range of articles: VARIOCON, Contact insert, housing material: Polyamide, color: light grey, number of positions: 8, rated voltage: 160, rated current: 10 A, Connection method: PCB connection, Type of contact: Pin. Connectors may only be connected/disconnected when under no load.

VC-AR3/4M - Panel mounting frames

1852998

<https://www.phoenixcontact.com/in/products/1852998>

VC-AMS 8 - Contact insert

1854022

<https://www.phoenixcontact.com/in/products/1854022>



Contact insert, Range of articles: VARIOCON, Contact insert, housing material: Polyamide, color: light grey, number of positions: 8, min. conductor cross section: 0.14 mm², max. conductor cross section: 1.5 mm², rated voltage: 160, rated current: 10 A, Connection method: Screw connection, Type of contact: Pin. Connectors may only be connected/disconnected when under no load.

VC-AMS 8-PE - Contact insert

1583568

<https://www.phoenixcontact.com/in/products/1583568>



Contact insert, Range of articles: VARIOCON, Contact insert, housing material: Polyamide, color: light grey, number of positions: 8, min. conductor cross section: 0.14 mm², max. conductor cross section: 1.5 mm², rated voltage: 160, rated current: 10 A, Connection method: Screw connection, Type of contact: Pin. Connectors may only be connected/disconnected when under no load.

VC-AR3/4M - Panel mounting frames

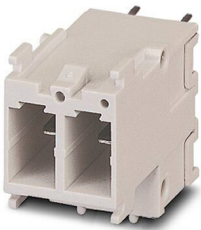
1852998

<https://www.phoenixcontact.com/in/products/1852998>

VC-AMLV 2 - Contact insert

1884979

<https://www.phoenixcontact.com/in/products/1884979>

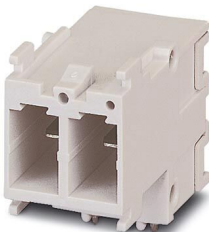


Contact insert, Range of articles: VARIOCON, Contact insert, housing material: Polyamide, color: light grey, number of positions: 2, rated voltage: 400, rated current: 20 A, Connection method: PCB connection, Type of contact: Pin. Connectors may only be connected/disconnected when under no load.

VC-AML 2 - Contact insert

1852859

<https://www.phoenixcontact.com/in/products/1852859>



Contact insert, Range of articles: VARIOCON, Contact insert, housing material: Polyamide, color: light grey, number of positions: 2, rated voltage: 400, rated current: 20 A, Connection method: PCB connection, Type of contact: Pin. Connectors may only be connected/disconnected when under no load.

VC-AR3/4M - Panel mounting frames

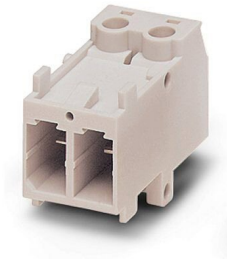
1852998

<https://www.phoenixcontact.com/in/products/1852998>

VC-AMS 2 - Contact insert

1853528

<https://www.phoenixcontact.com/in/products/1853528>



Contact insert, Range of articles: VARIOCON, Contact insert, housing material: Polyamide, color: light grey, number of positions: 2, min. conductor cross section: 0.25 mm², max. conductor cross section: 4 mm², rated voltage: 400, rated current: 20 A, Connection method: Screw connection, Type of contact: Pin. Connectors may only be connected/disconnected when under no load.

VC-AMS 2-PE - Contact insert

1583542

<https://www.phoenixcontact.com/in/products/1583542>



Contact insert, Range of articles: VARIOCON, Contact insert, housing material: Polyamide, color: light grey, number of positions: 2, min. conductor cross section: 0.25 mm², max. conductor cross section: 4 mm², rated voltage: 400, rated current: 20 A, Connection method: Screw connection, Type of contact: Pin. Connectors may only be connected/disconnected when under no load.

VC-AR3/4M - Panel mounting frames

1852998

<https://www.phoenixcontact.com/in/products/1852998>

VC-AML 4 - Contact insert

1607509

<https://www.phoenixcontact.com/in/products/1607509>



Contact insert, Range of articles: VARIOCON, Contact insert, design: VC2, housing material: PA, color: light grey, number of positions: 4, rated voltage: 690, rated current: 63 A, Connection method: PCB connection, Type of contact: Pin. Connectors may only be connected/disconnected when under no load.

VC-AML 4-PEA - Contact insert

1607516

<https://www.phoenixcontact.com/in/products/1607516>



Contact insert, Range of articles: VARIOCON, Contact insert, design: VC2, housing material: PA, color: light grey, number of positions: 4, rated voltage: 690, rated current: 63 A, Connection method: PCB connection, Type of contact: Pin. Connectors may only be connected/disconnected when under no load.

VC-AR3/4M - Panel mounting frames

1852998

<https://www.phoenixcontact.com/in/products/1852998>

VC-AMS 4 - Contact insert

1607745

<https://www.phoenixcontact.com/in/products/1607745>



Contact insert, Range of articles: VARIOCON, Contact insert, design: VC2, housing material: PA 6.6, color: light grey, number of positions: 4, min. conductor cross section: 0.5 mm², max. conductor cross section: 16 mm², rated voltage: 690, rated current: 70 A, Connection method: Screw connection, Type of contact: Pin. Connectors may only be connected/disconnected when under no load.

VC-AML 5 - Contact insert

1607523

<https://www.phoenixcontact.com/in/products/1607523>



Contact insert, Range of articles: VARIOCON, Contact insert, design: VC3, housing material: PA, color: light grey, number of positions: 5, rated voltage: 690, rated current: 63 A, Connection method: PCB connection, Type of contact: Pin. Connectors may only be connected/disconnected when under no load.

VC-AR3/4M - Panel mounting frames

1852998

<https://www.phoenixcontact.com/in/products/1852998>



VC-AML 5-PEA - Contact insert

1607530

<https://www.phoenixcontact.com/in/products/1607530>



Contact insert, Range of articles: VARIOCON, Contact insert, design: VC3, housing material: PA, color: light grey, number of positions: 5, rated voltage: 690, rated current: 63 A, Connection method: PCB connection, Type of contact: Pin. Connectors may only be connected/disconnected when under no load.

VC-AMS 5 - Contact insert

1607748

<https://www.phoenixcontact.com/in/products/1607748>



Contact insert, Range of articles: VARIOCON, Contact insert, design: VC3, housing material: PA, color: light grey, number of positions: 5, min. conductor cross section: 0.5 mm², max. conductor cross section: 16 mm², rated voltage: 690, rated current: 70 A, Connection method: Screw connection, Type of contact: Pin. Connectors may only be connected/disconnected when under no load.

Phoenix Contact 2023 © - all rights reserved
<https://www.phoenixcontact.com>

PHOENIX CONTACT (I) Pvt. Ltd.
A-58/2, Okhla Industrial Area, Phase - II, New Delhi-110 020

+91.1275.71420
info@phoenixcontact.co.in