

# VC-AR4/5M - Panel mounting frames



1853007

<https://www.phoenixcontact.com/in/products/1853007>

Please be informed that the data shown in this PDF document is generated from our Online Catalog. Please find the complete data in the user documentation. Our General Terms of Use for Downloads are valid.



Panel mounting frame, Range of articles: VARIOCON, Panel mounting frames, design: VC4, housing material: Polyamide. 2 x 1852862 VC-AF for each connector

## Commercial Data

Item number	1853007
Packing unit	5 pc
Minimum order quantity	5 pc
Sales Key	ABL
Product Key	ABLABD
Catalog Page	Page 25 (C-2-2013)
GTIN	4017918134297
Weight per Piece (including packing)	12.6 g
Weight per Piece (excluding packing)	12.6 g
Customs tariff number	85389099
Country of origin	PL

## Technical Data

### Notes

General	2 x 1852862 VC-AF for each connector
Safety note	
Safety note	<p>WARNING: The connectors may not be plugged in or disconnected under load. Ignoring the warning or improper use may damage persons and/or property.</p> <ul style="list-style-type: none"> <li>• WARNING: Commission properly functioning products only. The products must be regularly inspected for damage. Decommission defective products immediately. Replace damaged products. Repairs are not possible.</li> <li>• WARNING: Only electrically qualified personnel may install and operate the product. They must observe the following safety notes. The qualified personnel must be familiar with the basics of electrical engineering. They must be able to recognize and prevent danger. The relevant symbol on the packaging indicates that only personnel familiar with electrical engineering are allowed to install and operate the product.</li> <li>• The products are suitable for applications in plant, controller, and electrical device engineering.</li> <li>• When operating the connectors in outdoor applications, they must be separately protected against environmental influences.</li> <li>• Assembled products may not be manipulated or improperly opened.</li> <li>• Only use mating connectors that are specified in the technical data of the standards listed (e.g. the ones listed in the product accessories online at <a href="https://www.phoenixcontact.com/products">phoenixcontact.com/products</a>).</li> <li>• When using the product in direct connection with third-party manufacturers, the user is responsible.</li> <li>• For operating voltages &gt; 50 V AC, conductive connector housings must be grounded</li> <li>• Ensure that the protective or functional ground has been properly connected.</li> <li>• VDE 0100/1.97 § 411.1.3.2 and DIN EN 60 204/11.98 § 14.1.3 are applicable when combining several circuits in a cable and/or connector</li> <li>• Observe the corresponding technical data. You will find information:             <ul style="list-style-type: none"> <li>o On the product</li> <li>o On the packing label</li> <li>o In the supplied documentation</li> <li>o Online at <a href="https://www.phoenixcontact.com/products">phoenixcontact.com/products</a> under the product</li> </ul> </li> <li>• Only use tools recommended by Phoenix Contact</li> <li>• The installation notes/Design In documents online on the download page at <a href="https://www.phoenixcontact.com/products">phoenixcontact.com/products</a> must be observed for this product.</li> <li>• Use a protective cap to protect connectors that are not in use. The suitable accessories are available online in the accessory section of the product at <a href="https://www.phoenixcontact.com/products">phoenixcontact.com/products</a></li> <li>• Operate the connector only when it is fully plugged in.</li> </ul>

# VC-AR4/5M - Panel mounting frames

1853007

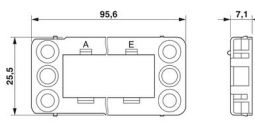
<https://www.phoenixcontact.com/in/products/1853007>

- Ensure that when laying the cable, the tensile load on the connectors does not exceed the upper limit specified in the standards.
- Observe the minimum bending radius of the cable. Lay the cable without twisting it.
- The connector warms up in normal operation. Depending on the ambient conditions, the surface of the connector can continue to warm up. In this case, the user is responsible for posting warnings (e.g. DIN EN ISO 13732-1:2008-12).

## Product properties

Type	VC4
Product type	Panel mounting frame
Product family	VARIOCON
Number of module slots	5
Series	VC-M

## Dimensions

Dimensional drawing	
Width	95.6 mm
Height	25.5 mm
Depth	7.1 mm
Length	17.1 mm

## Material specifications

Color of the housing part	black
Material	Polyamide
Material	PA-GF
Flammability rating according to UL 94	V0
Housing material	Polyamide

## Environmental and real-life conditions

### Ambient conditions

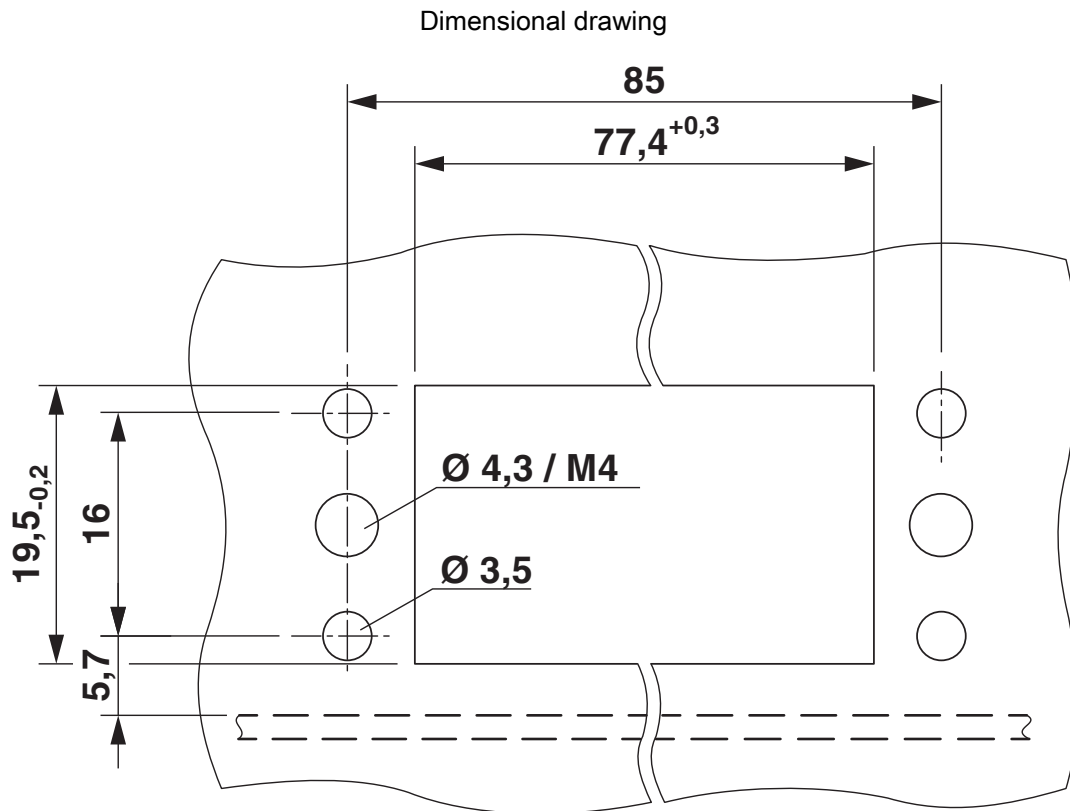
Ambient temperature (operation)	-40 °C ... 125 °C
---------------------------------	-------------------

# VC-AR4/5M - Panel mounting frames

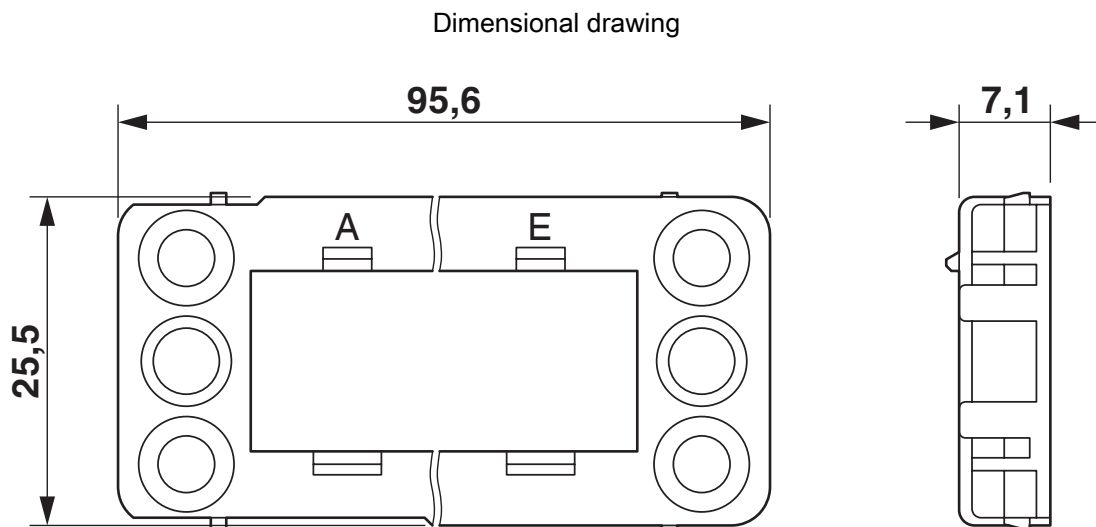
1853007

<https://www.phoenixcontact.com/in/products/1853007>

## Drawings



a - PCB



Panel mounting frame dimensional drawing

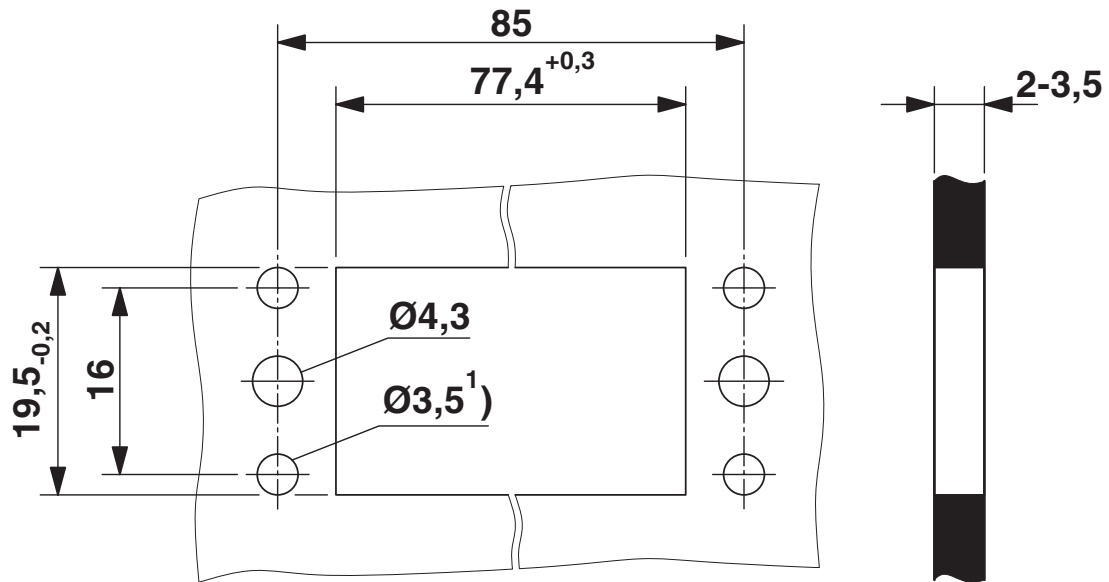
# VC-AR4/5M - Panel mounting frames

1853007

<https://www.phoenixcontact.com/in/products/1853007>



Dimensional drawing



Housing cutout

# VC-AR4/5M - Panel mounting frames



1853007

<https://www.phoenixcontact.com/in/products/1853007>

## Approvals



**EAC**

Approval ID: B.01687

# VC-AR4/5M - Panel mounting frames



1853007

<https://www.phoenixcontact.com/in/products/1853007>

## Classifications

### ECLASS

ECLASS-11.0	27440210
ECLASS-12.0	27440210
ECLASS-13.0	27440210

### ETIM

ETIM 8.0	EC002310
----------	----------

### UNSPSC

UNSPSC 21.0	39121400
-------------	----------

# VC-AR4/5M - Panel mounting frames



1853007

<https://www.phoenixcontact.com/in/products/1853007>

## Environmental Product Compliance

China RoHS	Environmentally friendly use period: unlimited = EFUP-e
	No hazardous substances above threshold values



# VC-AR4/5M - Panel mounting frames

1853007

<https://www.phoenixcontact.com/in/products/1853007>

## Accessories

### VC-AF - Panel-mount flange

1852862

<https://www.phoenixcontact.com/in/products/1852862>



Panel mounting flange for screw locking, for mounting contact insert modules, for a panel thickness of 1 - 5 mm

---

### VC-SD-A4 - Protective cover

1886799

<https://www.phoenixcontact.com/in/products/1886799>



Protective cover, Range of articles: VARIOCON, Protective cover, design: VC4, housing material: PA 6, color: gray

# VC-AR4/5M - Panel mounting frames

1853007

<https://www.phoenixcontact.com/in/products/1853007>



## VC-AR4-EMV - Panel mounting frames

1853243

<https://www.phoenixcontact.com/in/products/1853243>



Shroud, Range of articles: VARIOCON, Panel mounting frames, design: VC4, housing material: Copper alloy. For painted surfaces with conductive panel cutout

---

## VC-AFOS 2 - Contact insert

1885240

<https://www.phoenixcontact.com/in/products/1885240>



Contact insert module, for panel mounting frames for accommodating 2 optical fibers VC-FSMA-M ... Quick mounting connectors

# VC-AR4/5M - Panel mounting frames

1853007

<https://www.phoenixcontact.com/in/products/1853007>

## VC-AMLV 6 - Contact insert

1884872

<https://www.phoenixcontact.com/in/products/1884872>



Contact insert, Range of articles: VARIOCON, Contact insert, housing material: Polyamide, color: light grey, number of positions: 6, rated voltage: 250, rated current: 10 A, Connection method: PCB connection, Type of contact: Pin. Connectors may only be connected/disconnected when under no load.

---

## VC-AML 6 - Contact insert

1853531

<https://www.phoenixcontact.com/in/products/1853531>



Contact insert, Range of articles: VARIOCON, Contact insert, housing material: Polyamide, color: light grey, number of positions: 6, rated voltage: 250, rated current: 10 A, Connection method: PCB connection, Type of contact: Pin. Connectors may only be connected/disconnected when under no load.

# VC-AR4/5M - Panel mounting frames

1853007

<https://www.phoenixcontact.com/in/products/1853007>

## VC-AMS 6 - Contact insert

1854019

<https://www.phoenixcontact.com/in/products/1854019>



Contact insert, Range of articles: VARIOCON, Contact insert, housing material: Polyamide, color: light grey, number of positions: 6, min. conductor cross section: 0.14 mm<sup>2</sup>, max. conductor cross section: 1.5 mm<sup>2</sup>, rated voltage: 250, rated current: 10 A, Connection method: Screw connection, Type of contact: Pin. Connectors may only be connected/disconnected when under no load.

---

## VC-AMS 6-PE - Contact insert

1583555

<https://www.phoenixcontact.com/in/products/1583555>



Contact insert, Range of articles: VARIOCON, Contact insert, housing material: Polyamide, color: light grey, number of positions: 6, min. conductor cross section: 0.14 mm<sup>2</sup>, max. conductor cross section: 1.5 mm<sup>2</sup>, rated voltage: 250, rated current: 10 A, Connection method: Screw connection, Type of contact: Pin. Connectors may only be connected/disconnected when under no load.

# VC-AR4/5M - Panel mounting frames

1853007

<https://www.phoenixcontact.com/in/products/1853007>

## VC-AMLV 8 - Contact insert

1884885

<https://www.phoenixcontact.com/in/products/1884885>



Contact insert, Range of articles: VARIOCON, Contact insert, housing material: Polyamide, color: light grey, number of positions: 8, rated voltage: 160, rated current: 10 A, Connection method: PCB connection, Type of contact: Pin. Connectors may only be connected/disconnected when under no load.

---

## VC-AML 8 - Contact insert

1852833

<https://www.phoenixcontact.com/in/products/1852833>



Contact insert, Range of articles: VARIOCON, Contact insert, housing material: Polyamide, color: light grey, number of positions: 8, rated voltage: 160, rated current: 10 A, Connection method: PCB connection, Type of contact: Pin. Connectors may only be connected/disconnected when under no load.

# VC-AR4/5M - Panel mounting frames

1853007

<https://www.phoenixcontact.com/in/products/1853007>

## VC-AMS 8 - Contact insert

1854022

<https://www.phoenixcontact.com/in/products/1854022>



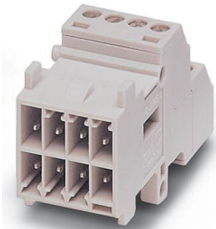
Contact insert, Range of articles: VARIOCON, Contact insert, housing material: Polyamide, color: light grey, number of positions: 8, min. conductor cross section: 0.14 mm<sup>2</sup>, max. conductor cross section: 1.5 mm<sup>2</sup>, rated voltage: 160, rated current: 10 A, Connection method: Screw connection, Type of contact: Pin. Connectors may only be connected/disconnected when under no load.

---

## VC-AMS 8-PE - Contact insert

1583568

<https://www.phoenixcontact.com/in/products/1583568>



Contact insert, Range of articles: VARIOCON, Contact insert, housing material: Polyamide, color: light grey, number of positions: 8, min. conductor cross section: 0.14 mm<sup>2</sup>, max. conductor cross section: 1.5 mm<sup>2</sup>, rated voltage: 160, rated current: 10 A, Connection method: Screw connection, Type of contact: Pin. Connectors may only be connected/disconnected when under no load.

# VC-AR4/5M - Panel mounting frames

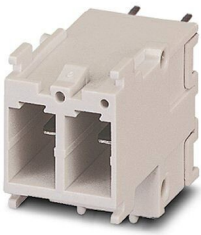
1853007

<https://www.phoenixcontact.com/in/products/1853007>

## VC-AMLV 2 - Contact insert

1884979

<https://www.phoenixcontact.com/in/products/1884979>



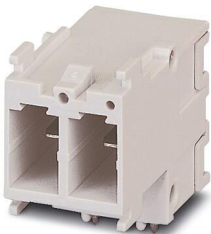
Contact insert, Range of articles: VARIOCON, Contact insert, housing material: Polyamide, color: light grey, number of positions: 2, rated voltage: 400, rated current: 20 A, Connection method: PCB connection, Type of contact: Pin. Connectors may only be connected/disconnected when under no load.

---

## VC-AML 2 - Contact insert

1852859

<https://www.phoenixcontact.com/in/products/1852859>



Contact insert, Range of articles: VARIOCON, Contact insert, housing material: Polyamide, color: light grey, number of positions: 2, rated voltage: 400, rated current: 20 A, Connection method: PCB connection, Type of contact: Pin. Connectors may only be connected/disconnected when under no load.

# VC-AR4/5M - Panel mounting frames

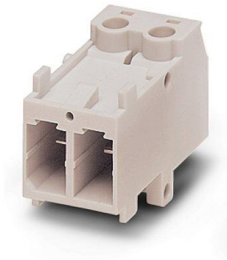
1853007

<https://www.phoenixcontact.com/in/products/1853007>

## VC-AMS 2 - Contact insert

1853528

<https://www.phoenixcontact.com/in/products/1853528>



Contact insert, Range of articles: VARIOCON, Contact insert, housing material: Polyamide, color: light grey, number of positions: 2, min. conductor cross section: 0.25 mm<sup>2</sup>, max. conductor cross section: 4 mm<sup>2</sup>, rated voltage: 400, rated current: 20 A, Connection method: Screw connection, Type of contact: Pin. Connectors may only be connected/disconnected when under no load.

---

## VC-AMS 2-PE - Contact insert

1583542

<https://www.phoenixcontact.com/in/products/1583542>



Contact insert, Range of articles: VARIOCON, Contact insert, housing material: Polyamide, color: light grey, number of positions: 2, min. conductor cross section: 0.25 mm<sup>2</sup>, max. conductor cross section: 4 mm<sup>2</sup>, rated voltage: 400, rated current: 20 A, Connection method: Screw connection, Type of contact: Pin. Connectors may only be connected/disconnected when under no load.



# VC-AR4/5M - Panel mounting frames

1853007

<https://www.phoenixcontact.com/in/products/1853007>

## VC-AML 4 - Contact insert

1607509

<https://www.phoenixcontact.com/in/products/1607509>



Contact insert, Range of articles: VARIOCON, Contact insert, design: VC2, housing material: PA, color: light grey, number of positions: 4, rated voltage: 690, rated current: 63 A, Connection method: PCB connection, Type of contact: Pin. Connectors may only be connected/disconnected when under no load.

---

## VC-AML 4-PEA - Contact insert

1607516

<https://www.phoenixcontact.com/in/products/1607516>



Contact insert, Range of articles: VARIOCON, Contact insert, design: VC2, housing material: PA, color: light grey, number of positions: 4, rated voltage: 690, rated current: 63 A, Connection method: PCB connection, Type of contact: Pin. Connectors may only be connected/disconnected when under no load.

# VC-AR4/5M - Panel mounting frames

1853007

<https://www.phoenixcontact.com/in/products/1853007>

## VC-AMS 4 - Contact insert

1607745

<https://www.phoenixcontact.com/in/products/1607745>



Contact insert, Range of articles: VARIOCON, Contact insert, design: VC2, housing material: PA 6.6, color: light grey, number of positions: 4, min. conductor cross section: 0.5 mm<sup>2</sup>, max. conductor cross section: 16 mm<sup>2</sup>, rated voltage: 690, rated current: 70 A, Connection method: Screw connection, Type of contact: Pin. Connectors may only be connected/disconnected when under no load.

---

## VC-AML 5 - Contact insert

1607523

<https://www.phoenixcontact.com/in/products/1607523>



Contact insert, Range of articles: VARIOCON, Contact insert, design: VC3, housing material: PA, color: light grey, number of positions: 5, rated voltage: 690, rated current: 63 A, Connection method: PCB connection, Type of contact: Pin. Connectors may only be connected/disconnected when under no load.

# VC-AR4/5M - Panel mounting frames

1853007

<https://www.phoenixcontact.com/in/products/1853007>

## VC-AML 5-PEA - Contact insert

1607530

<https://www.phoenixcontact.com/in/products/1607530>



Contact insert, Range of articles: VARIOCON, Contact insert, design: VC3, housing material: PA, color: light grey, number of positions: 5, rated voltage: 690, rated current: 63 A, Connection method: PCB connection, Type of contact: Pin. Connectors may only be connected/disconnected when under no load.

---

## VC-AMS 5 - Contact insert

1607748

<https://www.phoenixcontact.com/in/products/1607748>



Contact insert, Range of articles: VARIOCON, Contact insert, design: VC3, housing material: PA, color: light grey, number of positions: 5, min. conductor cross section: 0.5 mm<sup>2</sup>, max. conductor cross section: 16 mm<sup>2</sup>, rated voltage: 690, rated current: 70 A, Connection method: Screw connection, Type of contact: Pin. Connectors may only be connected/disconnected when under no load.

# VC-AR4/5M - Panel mounting frames

1853007

<https://www.phoenixcontact.com/in/products/1853007>

## VC-AML 7 - Contact insert

1607537

<https://www.phoenixcontact.com/in/products/1607537>

Contact insert, Range of articles: VARIOCON, Contact insert, design: VC4, housing material: PA, color: light grey, number of positions: 7, rated voltage: 690, rated current: 63 A, Connection method: PCB connection, Type of contact: Pin. Connectors may only be connected/disconnected when under no load.



---

## VC-AML 7-PEA - Contact insert

1607544

<https://www.phoenixcontact.com/in/products/1607544>

Contact insert, Range of articles: VARIOCON, Contact insert, design: VC4, housing material: PA 6.6, color: light grey, number of positions: 7, rated voltage: 690, rated current: 63 A, Connection method: PCB connection, Type of contact: Pin. Connectors may only be connected/disconnected when under no load.



# VC-AR4/5M - Panel mounting frames



1853007

<https://www.phoenixcontact.com/in/products/1853007>

## VC-AMS 7 - Contact insert

1607751

<https://www.phoenixcontact.com/in/products/1607751>



Contact insert, Range of articles: VARIOCON, Contact insert, design: VC4, housing material: PA, color: light grey, number of positions: 7, min. conductor cross section: 0.5 mm<sup>2</sup>, max. conductor cross section: 16 mm<sup>2</sup>, rated voltage: 690, rated current: 70 A, Connection method: Screw connection, Type of contact: Pin. Connectors may only be connected/disconnected when under no load.

---

Phoenix Contact 2023 © - all rights reserved

<https://www.phoenixcontact.com>

PHOENIX CONTACT (I) Pvt. Ltd.

A-58/2, Okhla Industrial Area, Phase - II, New Delhi-110 020

+91.1275.71420

[info@phoenixcontact.co.in](mailto:info@phoenixcontact.co.in)