

SACC-FS-5SC SH DN SCO - Data connector



1432787

<https://www.phoenixcontact.com/in/products/1432787>

Please be informed that the data shown in this PDF document is generated from our Online Catalog. Please find the complete data in the user documentation. Our General Terms of Use for Downloads are valid.



Data connector, CANopen[®], DeviceNet[™], 5-position, shielded, Socket straight M12, A, Spring-cage connection, knurl material: Zinc die-cast, nickel-plated, external cable diameter 4 mm ... 8 mm

Your advantages

- Safe use in the field, thanks to a high degree of protection
- Save time, thanks to installation with SPEEDCON fast locking system
- Spring-cage connection: connect more securely, even in the case of shock and vibration, thanks to high contact forces
- Reliable signal transmission – 360° shielding in environments with electromagnetic interference

Commercial Data

| | |
|--------------------------------------|--------------------------------|
| Item number | 1432787 |
| Packing unit | 1 pc |
| Minimum order quantity | 1 pc |
| Note | Made to Order (non-returnable) |
| Sales Key | BF2 |
| Product Key | BF2CFD |
| Catalog Page | Page 407 (C-4-2015) |
| GTIN | 4046356348430 |
| Weight per Piece (including packing) | 42.5 g |
| Weight per Piece (excluding packing) | 42.5 g |
| Customs tariff number | 85366990 |
| Country of origin | DE |

Technical Data

Mounting

| | |
|-----------------------|--------------------------------------------------------------------|
| Assembly instructions | AWG 18 wire cross section upon request |
| | The wires can be connected both with ferrules and without ferrules |

Product properties

| | |
|----------------------|---------------------------------|
| Product type | Circular connector (cable-side) |
| Number of positions | 5 |
| No. of cable outlets | 1 |
| Shielded | yes |
| Coding | A |
| Cable outlet | straight |

Insulation characteristics

| | |
|----------------------|----|
| Overvoltage category | II |
| Degree of pollution | 3 |

Dimensions

External dimensions

| | |
|------------------|---------------|
| Outside diameter | 4 mm ... 8 mm |
|------------------|---------------|

Material specifications

| | |
|----------------------------------------|------------------------------|
| Flammability rating according to UL 94 | V0 |
| Seal material | NBR |
| Material of grip body | Zinc die-cast, nickel-plated |
| Contact material | CuSn |
| Contact surface material | Ni/Au |
| Contact carrier material | TPU |
| Material for screw connection | Zinc die-cast, nickel-plated |

Connection data

Conductor connection

| | |
|-----------------------------------------|----------------------------------------------|
| Connection method | Spring-cage connection |
| Connection cross section | 0.14 mm ² ... 0.5 mm ² |
| Connection cross section AWG | 26 ... 20 |
| Stripping length of the individual wire | 10 mm |
| Tightening torque | 0.4 Nm (M12 knurl) |
| | 0.8 Nm (Connector with coupling sleeve) |
| | 3 Nm (Pressure nut with coupling sleeve) |

Electrical properties

| | |
|--------------------|--------|
| Contact resistance | ≤ 8 mΩ |
|--------------------|--------|

SACC-FS-5SC SH DN SCO - Data connector



1432787

<https://www.phoenixcontact.com/in/products/1432787>

| | |
|-----------------------|----------|
| Insulation resistance | ≥ 100 MΩ |
| Nominal voltage U_N | 60 V DC |
| | 48 V AC |
| Nominal current I_N | 4 A |

Mechanical properties

Mechanical data

| | |
|-----------------------------|-------|
| Insertion/withdrawal cycles | ≥ 100 |
|-----------------------------|-------|

Connector

Connection 1

| | |
|-------------------|----------|
| Head design | Socket |
| Head cable outlet | straight |
| Head thread type | M12 |
| Coding | A |

Cable/line

| | |
|-----------------------------------------|------------------------|
| Signal type/category | CANopen [®] |
| | DeviceNet [™] |
| Stripping length of the individual wire | 10 mm |

Environmental and real-life conditions

Ambient conditions

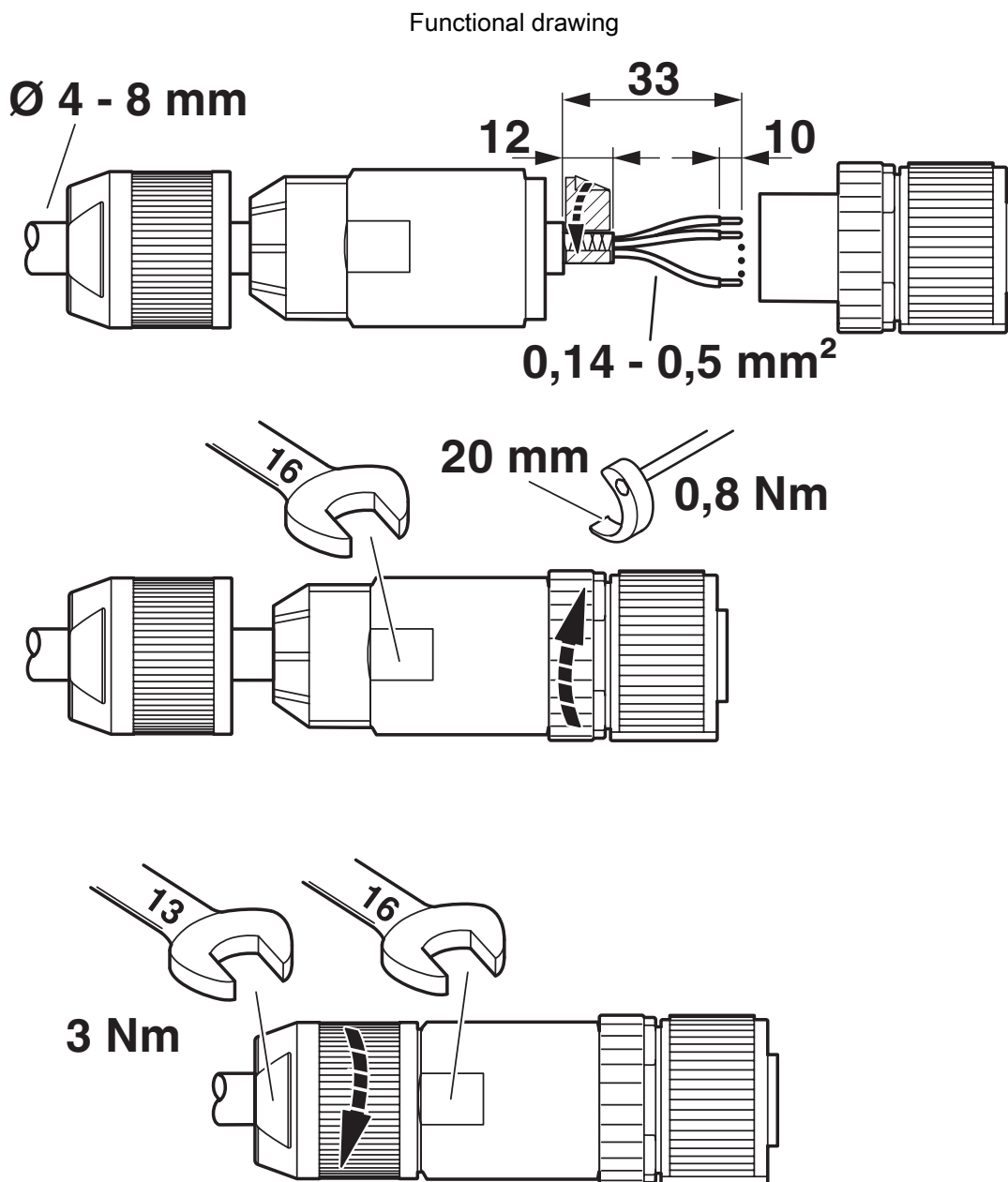
| | |
|---------------------------------|----------------------------------|
| Degree of protection | IP65 |
| | IP67 |
| Ambient temperature (operation) | -40 °C ... 85 °C (Plug / socket) |

Standards and regulations

M12

| | |
|--------------------------|-----------------|
| Standards/specifications | IEC 61076-2-101 |
| Standards/specifications | EN 50155:2001 |

Drawings



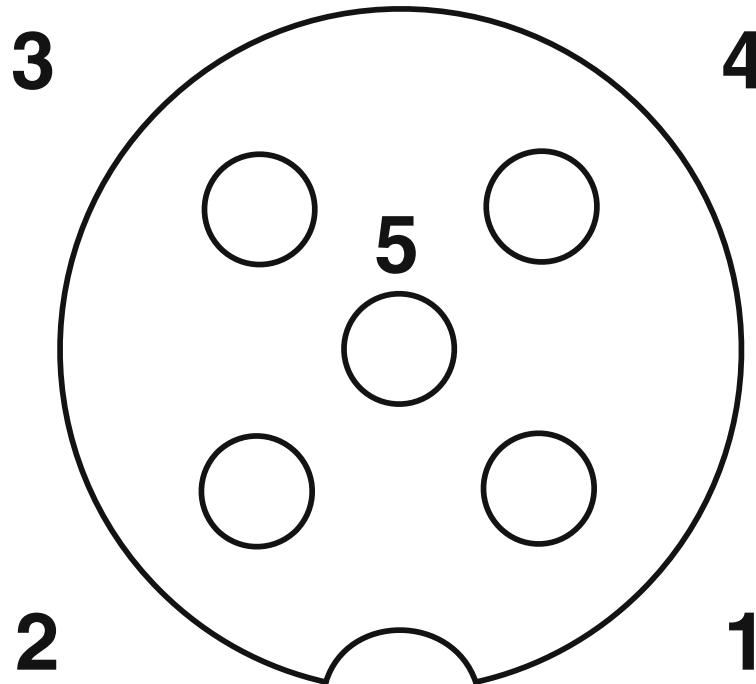
Slide the pressure nut and sleeve housing along the cable, strip the cable, shorten the shield, strip the single wires, connect the wires, in the case of a straight sleeve housing gently twist the wires together, stick the shielding foil around the shortened shield, in the case of a cable outside diameter < 6 mm stick an additional shielding foil around the wire pack, screw the sleeve housing to the plug insert, screw the pressure nut tight.

SACC-FS-5SC SH DN SCO - Data connector

1432787

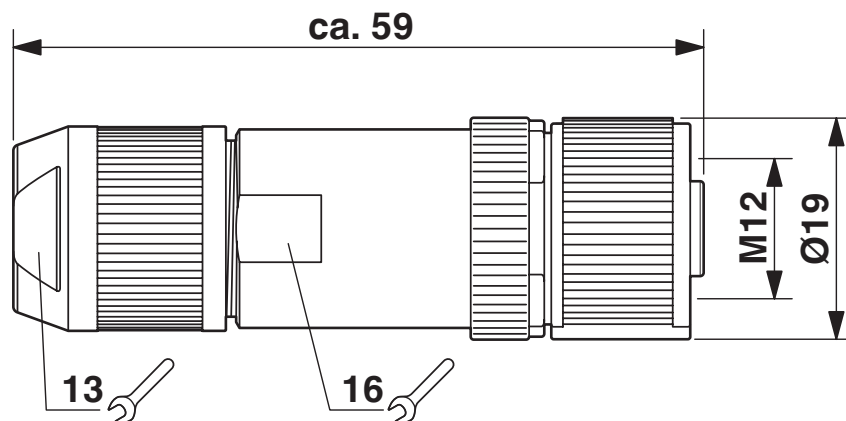
<https://www.phoenixcontact.com/in/products/1432787>

Schematic diagram



Pin assignment M12 socket, 5-pos., A-coded, socket side view

Dimensional drawing



Socket M12-SPEEDCON, straight, shielded

SACC-FS-5SC SH DN SCO - Data connector



1432787

<https://www.phoenixcontact.com/in/products/1432787>

Classifications

ECLASS

| | |
|-------------|----------|
| ECLASS-11.0 | 27440102 |
|-------------|----------|

SACC-FS-5SC SH DN SCO - Data connector



1432787

<https://www.phoenixcontact.com/in/products/1432787>

Environmental Product Compliance

| | |
|------------|---------------------------------------------------------|
| China RoHS | Environmentally friendly use period: unlimited = EFUP-e |
| | No hazardous substances above threshold values |

SACC-FS-5SC SH DN SCO - Data connector



1432787

<https://www.phoenixcontact.com/in/products/1432787>

Accessories

TSD 04 SAC - Torque screwdriver

1208429

<https://www.phoenixcontact.com/in/products/1208429>



Torque screwdriver, with preset torque of 0.4 Nm and 4 mm hexagonal drive for M12 connectors

TSD 08 SAC - Torque screwdriver

1212597

<https://www.phoenixcontact.com/in/products/1212597>



Torque screw driver with preset torque of 0.8 Nm, with 4 mm hexagon for accommodating SAC bits, two-component handle with non-slip grip

SACC-FS-5SC SH DN SCO - Data connector



1432787

<https://www.phoenixcontact.com/in/products/1432787>

SACC BIT M12-D20 - Tool

1208445

<https://www.phoenixcontact.com/in/products/1208445>

Nut for assembling M12 connectors for assembly with a knurl diameter of 20 mm, for 4 mm hexagonal drive



TSD-M 1,2NM - Torque screwdriver

1212224

<https://www.phoenixcontact.com/in/products/1212224>

Torque screw driver, accuracy as per EN ISO 6789 standard, adjustable from 0.3 - 1.2 Nm



SACC-FS-5SC SH DN SCO - Data connector



1432787

<https://www.phoenixcontact.com/in/products/1432787>

TSD-M 3NM - Torque screwdriver

1212225

<https://www.phoenixcontact.com/in/products/1212225>



Torque screw driver, accuracy as per EN ISO 6789 standard, adjustable from 1.2 - 3 Nm

TSD-M SAC-BIT ADAPTER - Adapter insert

1212600

<https://www.phoenixcontact.com/in/products/1212600>



Adapter bit for TSD-M...torque tools, E6.3-1/4" drive with 4 mm hexagon to accommodate SAC bits

SACC-FS-5SC SH DN SCO - Data connector

1432787

<https://www.phoenixcontact.com/in/products/1432787>



PROT-M12 MS-PA-CHAIN - Screw plug

1430899

<https://www.phoenixcontact.com/in/products/1430899>

M12 sealing cap with fixing band, for sensor cables, for free M12 sockets



SAC-5P-920/... - Bus system cable

1511504

<https://www.phoenixcontact.com/in/products/1511504>

Bus system cable, CANopen[®], DeviceNet[™], 4-position halogen-free, shielded, cable length: Free entry (0.5 ... 400 m)



SACC-FS-5SC SH DN SCO - Data connector



1432787

<https://www.phoenixcontact.com/in/products/1432787>

ALU-SB - Shielding foil

1404531

<https://www.phoenixcontact.com/in/products/1404531>

Shielding foil, for fixing the braided shield of shielded cables. Length: 4 cm, width: 1.2 cm



VS-CABLE-STRIP-VARIO - Stripping tool

1657407

<https://www.phoenixcontact.com/in/products/1657407>

Stripping tool, for the multi-level stripping of shielded cables



Phoenix Contact 2023 © - all rights reserved

<https://www.phoenixcontact.com>

PHOENIX CONTACT (I) Pvt. Ltd.

A-58/2, Okhla Industrial Area, Phase - II, New Delhi-110 020

+91.1275.71420

info@phoenixcontact.co.in