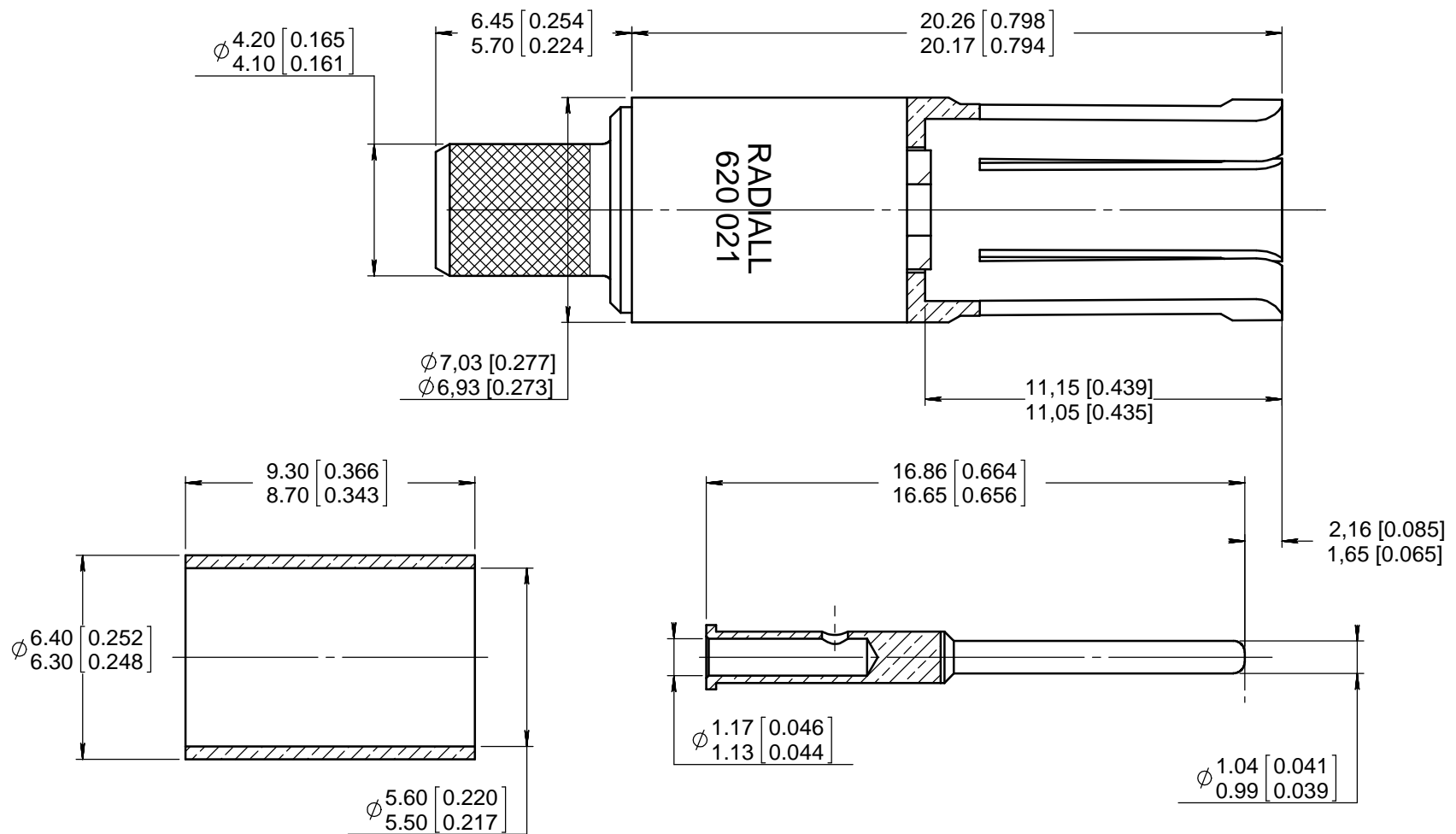


**Series
NSX**
**SIZE 5 COAXIAL SOCKET CONTACT
FOR RG142, RG400, RG223 AND ASNE0293XF CABLES**
**Issue:
NOV. 25, 2013**
**Page
1/1**

MATERIAL AND FINISH :

- OUTER CONTACT BODY : BERYLLIUM COPPER PER ASTM-B-196
- INSULATOR : PTFE PER ASTM-D-1710 OR EQUIVALENT
- FERRULE: BRASS PER ASTM B 453/B453 M
- CENTER CONTACT : BRASS PER ASTM B 453/B453 M

FINISH :

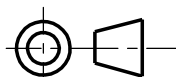
- OUTER CONTACT BODY, CENTER CONTACT AND FERRULE:
PLATING .00005 INCH OF GOLD PER MIL-G-45204 TYPE I OR II GRADE C OR D CLASS 1
OVER NICKEL QQ-N-290

ELECTRICAL CHARACTERISTICS :

- TEMPERATURE RANGE : -65°C TO +125°C
- IMPEDANCE : 50 OHMS nominal
- RATED VOLTAGE : 325V RMS AT SEA LEVEL
- FREQUENCY RANGE : 0-1700 MHz
- VSWR : for 0-1500 MHz : 1-30:1
for 1500-1700 MHz : 1-50:1
- DWV : 750V RMS AT SEA LEVEL

NOTES:

- WIRING INSTRUCTIONS : MI CT 01 00039

DIMENSIONS : mm (inch are given for information only)


Estimated weight : 4 g

CREATION	NOV. 24, 13	MODIFICATION: 20.27/20.17 =>20.26/20.17	ZUNIGA	Dupuis
PEN: /	July 24, 13	Update due to dimensions rounding mistakes	Branjonneau	Dupuis
	April. 26, 12	T° max : +165°C becomes +125°C	Moutault	Dupuis
NOM: MACARI	April. 17, 12	TDS updated: .663 becomes .664 (see contact drawing)	Moutault	Dupuis
	Mar. 09, 12	TDS updated - VSWR changed	Moutault	Dupuis
	Apr. 06, 11	Add RG223 for selector 6	Moutault	Brochet
DATE: May, 26. 1989	Nov. 08, 99	Redrawn	Valgresy	/
APPR.: CARTESSE	Issue	Revisions	Name	Approved

620021EN

RADIALL PROPRIETARY INFORMATION

This document contains proprietary information and such information shall not be disclosed to any third party for any purpose whatsoever or used for manufacturing purposes without prior written agreement from RADIALL. This information is given as an indication in the continual goal to improve our products, we reserve the right to make any modifications judged necessary.

4112_9311