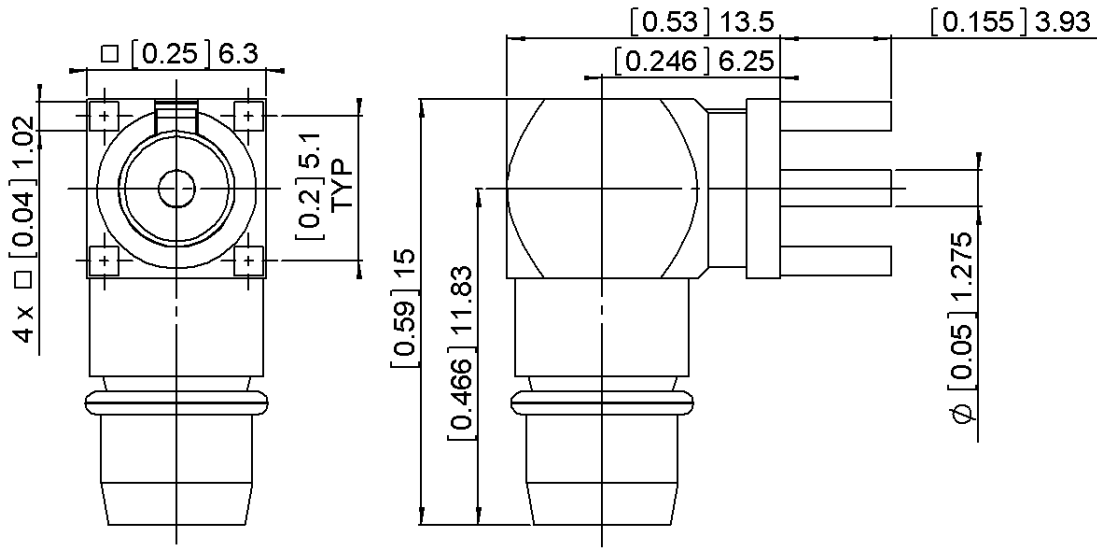


RIGHT ANGLE PLUG RECEPTACLE FOR P.C.B.

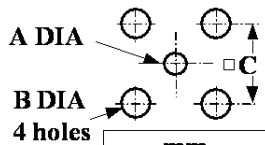
R128.665.100

SOLDER LEGS

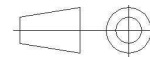
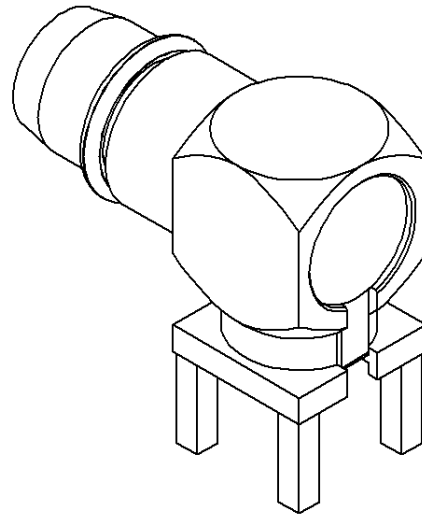
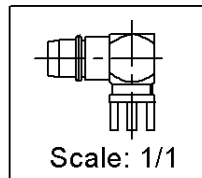
Series : **BMA**



PANEL CUT OUT



	mm	
	Maxi	mini
A	1.4	1.3
B	1.8	1.7
C	5.13	5.03



All dimensions are in mm.

COMPONENTS	MATERIALS	PLATING (μm)
BODY	STAINLESS STEEL	GOLD 0.5 OVER NICKEL 2
CENTER CONTACT	BRASS	GOLD 0.8 OVER COPPER 2.54
OUTER CONTACT		
INSULATOR	PTFE	
GASKET		
OTHERS PARTS	STAINLESS STEEL	GOLD 0.2 OVER NICKEL 2
-	-	-
-	-	-

Issue : 1050 A

In the effort to improve our products, we reserve the right to make changes judged to be necessary.



RIGHT ANGLE PLUG RECEPTACLE FOR P.C.B.

R128.665.100

SOLDER LEGS

Series : **BMA**

PACKAGING

Standard	Unit	Other
100	'W' option	Contact us

SPECIFICATION

ELECTRICAL CHARACTERISTICS

Impedance	50	Ω
Frequency	0-22	GHz
VSWR	1.25 + 0.0000	x F(GHz) Maxi
Insertion loss	0.8	\sqrt{F} (GHz) dB Maxi
RF leakage	- (NA)	- F(GHz)) dB Maxi
Voltage rating	350	Veff Maxi
Dielectric withstanding voltage	1000	Veff mini
Insulation resistance	5000	M Ω mini

ENVIRONMENTAL

Operating temperature	-65/+125	$^{\circ}$ C
Hermetic seal		Atm.cm3/s
Panel leakage		

OTHER CHARACTERISTICS

Assembly instruction

Others :

MECHANICAL CHARACTERISTICS

Center contact retention		
Axial force – Mating end	18	N mini
Axial force – Opposite end	18	N mini
Torque	NA	N.cm mini
Recommended torque		
Mating	NA	N.cm
Panel nut	NA	N.cm
Mating life	500	Cycles mini
Weight	1.4000	g

Issue : 1050 A

In the effort to improve our products, we reserve the right to make changes judged to be necessary.

