

WCC 38 - Cable clamp

3240258

<https://www.phoenixcontact.com/in/products/3240258>

Please be informed that the data shown in this PDF document is generated from our Online Catalog. Please find the complete data in the user documentation. Our General Terms of Use for Downloads are valid.

Cable clamp, for DIN rails



Commercial Data

Item number	3240258
Packing unit	25 pc
Minimum order quantity	25 pc
Sales Key	BE7
Product Key	BE7421
Catalog Page	Page 583 (C-3-2019)
GTIN	4046356464505
Weight per Piece (including packing)	63.76 g
Weight per Piece (excluding packing)	63 g
Customs tariff number	73269098
Country of origin	CN

WCC 38 - Cable clamp

3240258

<https://www.phoenixcontact.com/in/products/3240258>



Technical Data

Product properties

Product type	Cable screw gland
--------------	-------------------

Material specifications

Material	Steel
Coating	galvanized

Cable/line

External cable diameter	34 mm ... 38 mm
-------------------------	-----------------

Mounting

Mounting type	DIN rail mounting
---------------	-------------------

WCC 38 - Cable clamp

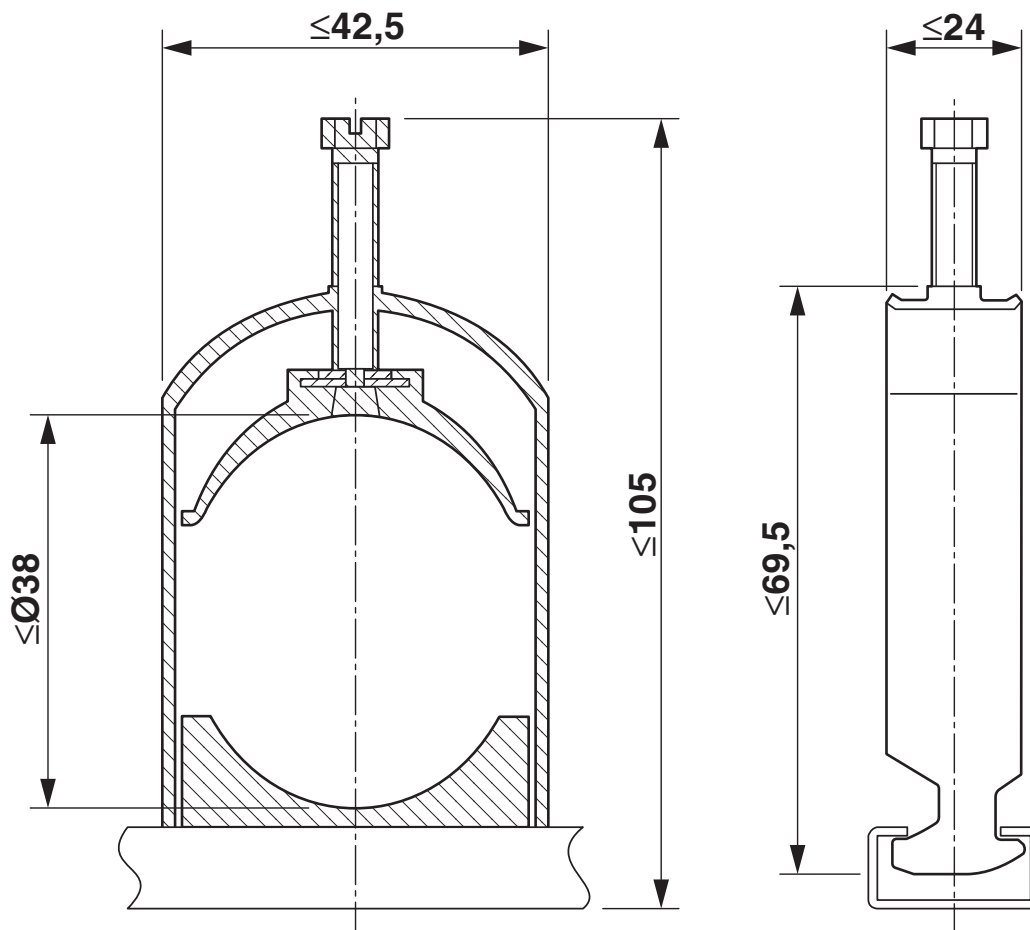
3240258

<https://www.phoenixcontact.com/in/products/3240258>



Drawings

Dimensional drawing



WCC 38 - Cable clamp

3240258

<https://www.phoenixcontact.com/in/products/3240258>



Classifications

ECLASS

ECLASS-11.0	23159090
ECLASS-13.0	23159090
ECLASS-13.0	23159090

ETIM

ETIM 8.0	EC000464
----------	----------

UNSPSC

UNSPSC 21.0	31162900
-------------	----------

WCC 38 - Cable clamp

3240258

<https://www.phoenixcontact.com/in/products/3240258>



Environmental Product Compliance

China RoHS	Environmentally friendly use period: unlimited = EFUP-e
	No hazardous substances above threshold values

WCC 38 - Cable clamp

3240258

<https://www.phoenixcontact.com/in/products/3240258>



Accessories

NS 30/15 PERF 2000MM VPE 10 - DIN rail perforated

3240262

<https://www.phoenixcontact.com/in/products/3240262>



DIN rail perforated, similar to EN 60715, material: Steel, galvanized, C profile,
Pack of 10 (20 m)

Phoenix Contact 2023 © - all rights reserved
<https://www.phoenixcontact.com>

PHOENIX CONTACT (I) Pvt. Ltd.
A-58/2, Okhla Industrial Area, Phase - II, New Delhi-110 020

+91.1275.71420
info@phoenixcontact.co.in