

NS 35/15 PERF 2000MM - DIN rail perforated



1201730

<https://www.phoenixcontact.com/in/products/1201730>

Please be informed that the data shown in this PDF document is generated from our Online Catalog. Please find the complete data in the user documentation. Our General Terms of Use for Downloads are valid.



DIN rail perforated, similar to EN 60715, material: Steel, galvanized, passivated with a thick layer, Standard profile, color: silver, Pack of 25 (50 m)

Commercial Data

Item number	1201730
Packing unit	25 pc
Minimum order quantity	25 pc
Sales Key	BE7
Product Key	BE7244
Catalog Page	Page 532 (C-3-2019)
GTIN	4017918017460
Weight per Piece (including packing)	1,260 g
Weight per Piece (excluding packing)	1,260 g
Customs tariff number	72166190
Country of origin	DE

NS 35/15 PERF 2000MM - DIN rail perforated



1201730

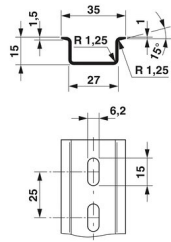
<https://www.phoenixcontact.com/in/products/1201730>

Technical Data

Product properties

Product type	DIN rail
--------------	----------

Dimensions

Dimensional drawing	
Width	35 mm
Hole width	15 mm
Height	15 mm
Hole height	6.2 mm
Length	2000 mm
Drill hole spacing	25 mm

Material specifications

Color	silver
Material	Steel
Coating	galvanized, passivated with a thick layer

Standards and regulations

Connection in acc. with standard	IEC / EN
Tests	similar to EN 60715

NS 35/15 PERF 2000MM - DIN rail perforated

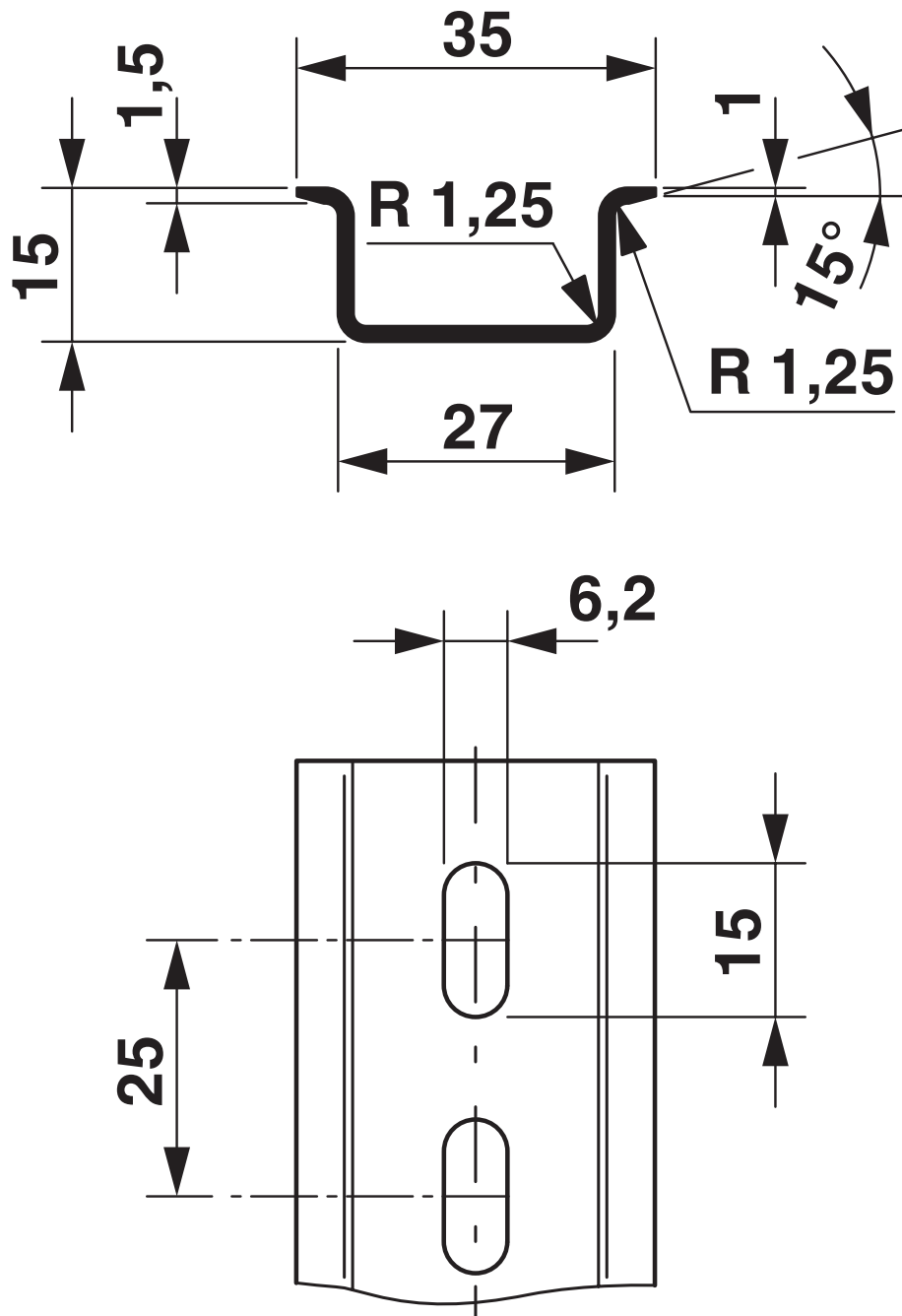


1201730

<https://www.phoenixcontact.com/in/products/1201730>

Drawings

Dimensional drawing



NS 35/15 PERF 2000MM - DIN rail perforated



1201730

<https://www.phoenixcontact.com/in/products/1201730>

Classifications

ECLASS

ECLASS-11.0	27400602
ECLASS-13.0	Tragschiene
ECLASS-13.0	Tragschiene
ECLASS-12.0	27400602

ETIM

ETIM 8.0	EC001285
----------	----------

UNSPSC

UNSPSC 21.0	39121700
-------------	----------

NS 35/15 PERF 2000MM - DIN rail perforated



1201730

<https://www.phoenixcontact.com/in/products/1201730>

Environmental Product Compliance

China RoHS	Environmentally friendly use period: unlimited = EFUP-e No hazardous substances above threshold values
------------	---

Phoenix Contact 2023 © - all rights reserved
<https://www.phoenixcontact.com>

PHOENIX CONTACT (I) Pvt. Ltd.
A-58/2, Okhla Industrial Area, Phase - II, New Delhi-110 020

+91.1275.71420
info@phoenixcontact.co.in