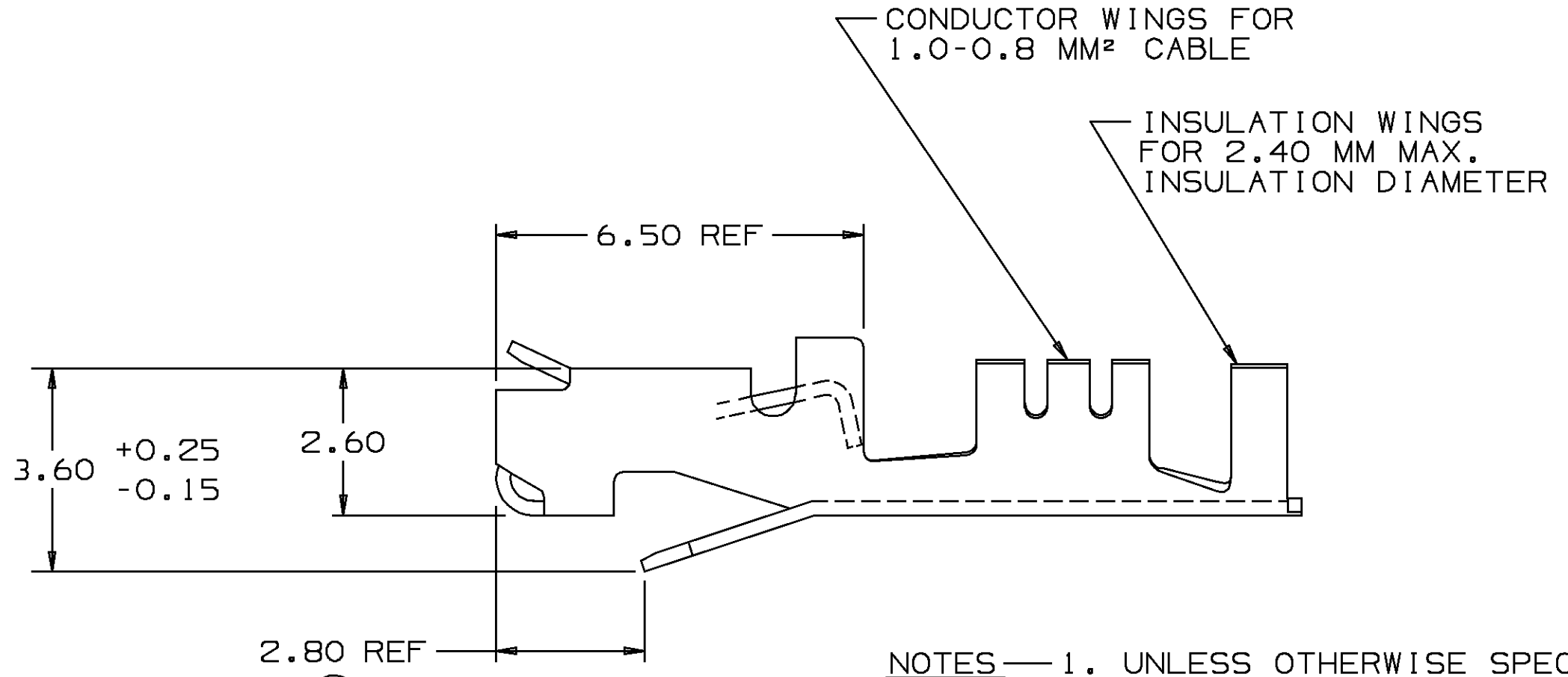
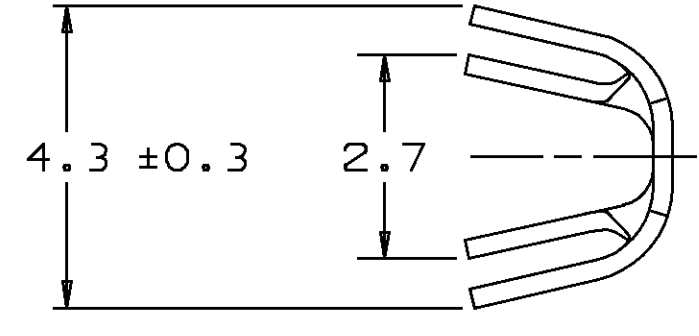
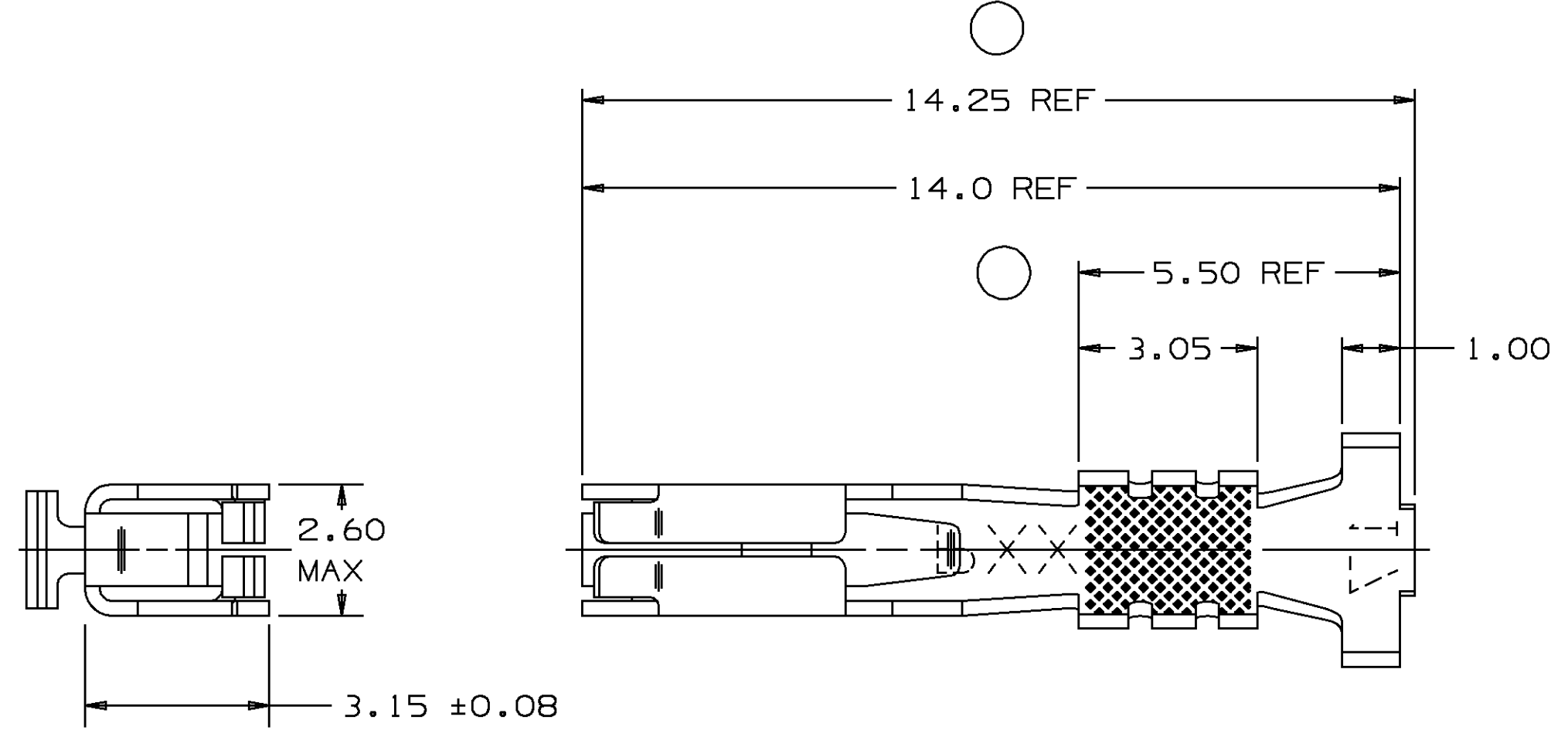
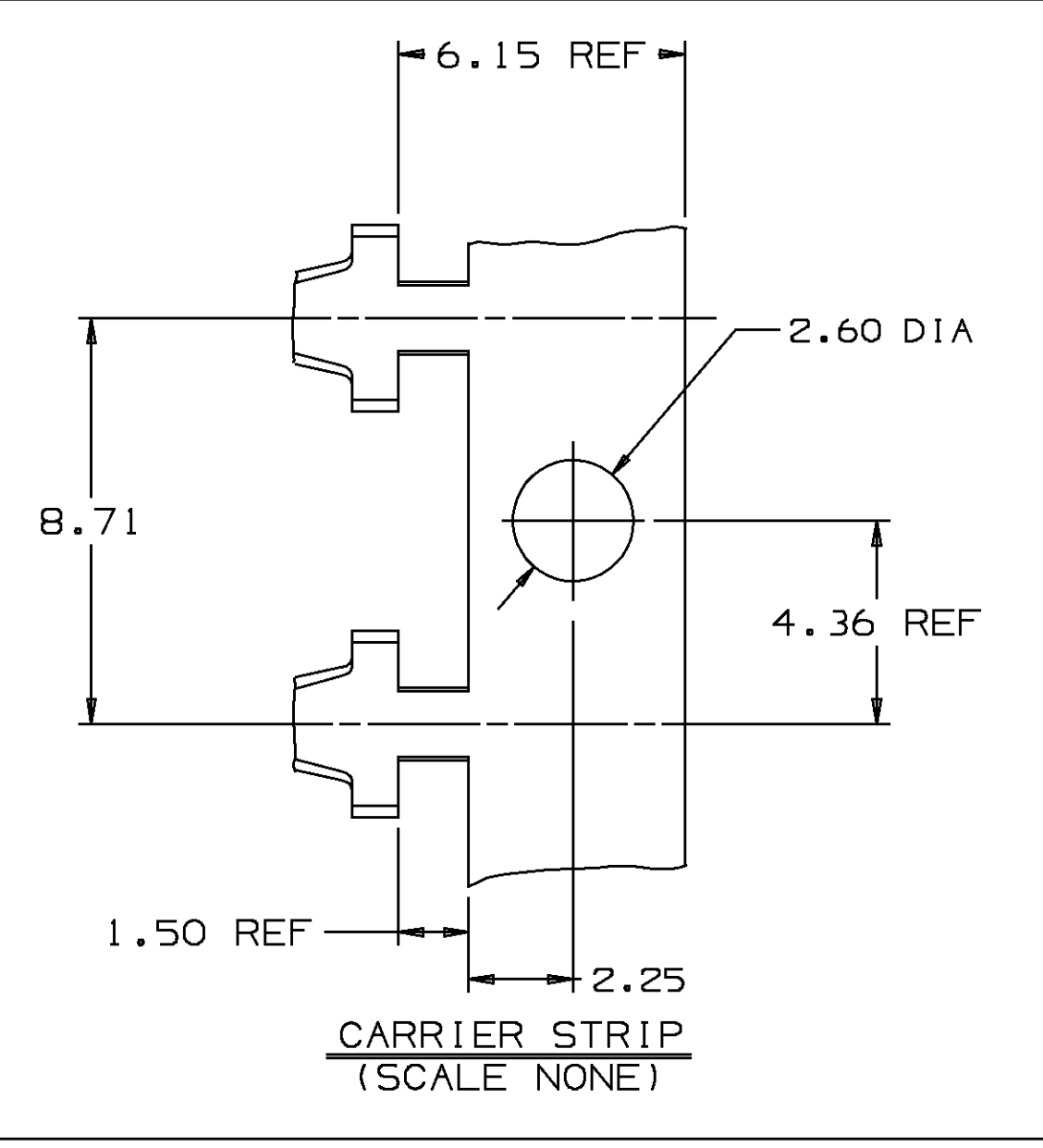


THIS DRAWING AND DESIGN HEREON CONSTITUTES A PROPRIETARY DESIGN OF PACKARD ELECTRIC DIVISION AND IS NOT TO BE DUPLICATED OR REPRODUCED WITHOUT AUTHORITY OF PACKARD ELECTRIC DIVISION

DO NOT SCALE

PACKARD ELECTRIC DIVISION
GENERAL MOTORS CORPORATION
WARREN, OHIO

PART NO
1210 3881



- NOTES** — 1. UNLESS OTHERWISE SPECIFIED AND/OR INDICATED: DIMENSIONS ARE TO FACE OF VIEW SHOWN AND AUTOMATICALLY ROUNDED BY COMPUTER FOR INSPECTION. (SEE MATH MODEL FOR PRECISE DIMENSION)
2. DIMENSIONS MARKED "REF" ARE FOR REFERENCE ONLY AND NO TOLERANCE LIMITS ARE ESTABLISHED.
3. ENGAGE : 3-10N
DISENGAGE : 1.5-8N
4. REFERENCE PACKARD GAGE # G-8261

DATE	SYM	REVISION RECORD	AUTH	DR	CK
24SE92		REDRAWN AND UPDATED TO LATEST STANDARDS			
		REV LEVEL REMAINS AT "A"	920007	JK	JC
24FE93		REDRAWN TO "C" SIZE			
		REV LEVEL REMAINS AT "A"	154464	DE	DE
05AU94		ADDED 4.3±0.3 DIM- NO REV UPDATE	161276	TW	TW
09N094		DRAWING REVISED PER CUSTOMER REQUEST			
		REV LEVEL REMAINS AT "A"	164566	JVM	SMP
25MR96	B	REVISED	171061	JOS	JOS
21JN96		REVISED - REV LEVEL REMAINS AT "B"	173815	MRG	RPC

PART NO
1210 3881

Unigraphics II METRIC
DIMENSIONS ARE IN MILLIMETERS UNLESS OTHERWISE SPECIFIED

THIRD ANGLE PROJECTION

CODE NO 6900 QC
6901

DWG DATE 22MY91 DR HENRY HOKE 22MY91

SCALE NONE CK DAVID BECK 06JN91

REFERENCE NO SHT #1 12020717 "AO" SIZE APPR VOL CM³

MATERIAL SPEC 0.254 THK SILICON BRONZE - TIN PLATED

NAME TERM F M/P 150 SER P25

PART NUMBER 1210 3881 SIZE A2
OUTLINE DRAWING

Mouser Electronics

Authorized Distributor

Click to View Pricing, Inventory, Delivery & Lifecycle Information:

[Aptiv:](#)

[12103881-L](#)