

# Product data sheet

Specifications



Light block with body fixing collar, Harmony XB5, plastic, orange, integral LED, 24V AC DC

ZB5AVB5

❗ Discontinued on: 05 April 2023

❗ Discontinued

**Important message :** All colored LED are replaced with a single Universal LED block for use with new illuminated heads (more information at [se.com/harmonyxb4](https://se.com/harmonyxb4) or [se.com/harmonyxb5](https://se.com/harmonyxb5))

## Main

|                               |   |
|-------------------------------|---|
| Range of product              | Harmony XB5   |
| Product or component type     | Complete body/light block assembly  |
| Device short name             | ZB5   |
| Fixing collar material        | Plastic   |
| Sale per indivisible quantity | 1   |
| Connections - terminals       | Screw clamp terminals, $\leq 2 \times 1.5 \text{ mm}^2$ with cable end conforming to EN 60947-1<br>Screw clamp terminals, $> 1 \times 0.22 \text{ mm}^2$ without cable end conforming to EN 60947-1 |
| Light source                  | Protected LED   |
| Bulb base                     | Integral LED  |
| Light source colour           | Orange  |

## Complementary

|  |   |
|--|---|
| CAD overall width                      | 30 mm   |
| CAD overall height                     | 42 mm   |
| CAD overall depth                      | 32 mm   |
| Terminals description ISO n°1          | (X1-X2)PL   |
| Net weight                             | 0.022 kg  |
| Tightening torque                      | 0.8...1.2 N.m conforming to EN 60947-1  |
| Shape of screw head                    | Cross compatible with Philips no 1 screwdriver<br>Cross compatible with pozidriv No 1 screwdriver<br>Slotted compatible with flat $\varnothing 4 \text{ mm}$ screwdriver<br>Slotted compatible with flat $\varnothing 5.5 \text{ mm}$ screwdriver |
| [Ui] rated insulation voltage          | 600 V (pollution degree 3) conforming to EN 60947-1   |
| [Uimp] rated impulse withstand voltage | 6 kV conforming to EN 60947-1   |
| Signalling type                        | Steady  |
| [Us] rated supply voltage              | 24 V AC/DC at 50/60 Hz  |
| Supply voltage limits                  | 19.2...30 V DC<br>21.6...26.4 V AC  |
| Current consumption                    | 18 mA   |

|                            |                                     |
|----------------------------|-------------------------------------|
| <b>Service life</b>        | 100000 h at rated voltage and 25 °C |
| <b>Surge withstand</b>     | 1 kV conforming to IEC 61000-4-5    |
| <b>Device presentation</b> | Basic sub-assemblies                |

## Environment

|  |  |
|--|--|
| <b>Protective treatment</b>                  | TH   |
| <b>Ambient air temperature for storage</b>   | -40...70 °C  |
| <b>Ambient air temperature for operation</b> | -40...70 °C  |
| <b>Electrical shock protection class</b>     | Class II conforming to IEC 60536   |
| <b>Standards</b>                             | EN/IEC 60947-5-1<br>CSA C22.2 No 14<br>EN/IEC 60947-1<br>UL 508<br>JIS C8201-5-1<br>EN/IEC 60947-5-4<br>JIS C8201-1  |
| <b>Product certifications</b>                | CSA<br>UL listed<br>BV<br>DNV<br>GL<br>LROS (Lloyds register of shipping)  |
| <b>Vibration resistance</b>                  | 5 gn (f= 2...500 Hz) conforming to IEC 60068-2-6   |
| <b>Shock resistance</b>                      | 30 gn (duration = 18 ms) for half sine wave acceleration conforming to IEC 60068-2-27<br>50 gn (duration = 11 ms) for half sine wave acceleration conforming to IEC 60068-2-27 |
| <b>Resistance to fast transients</b>         | 2 kV conforming to IEC 61000-4-4   |
| <b>Resistance to electromagnetic fields</b>  | 10 V/m conforming to IEC 61000-4-3   |
| <b>Resistance to electrostatic discharge</b> | 6 kV on contact (on metal parts) conforming to IEC 61000-2-6<br>8 kV in free air (in insulating parts) conforming to IEC 61000-2-6   |
| <b>Electromagnetic emission</b>              | Class B conforming to IEC 55011  |

## Packing Units

|                                     |           |
|-------------------------------------|-----------|
| <b>Unit Type of Package 1</b>       | PCE       |
| <b>Number of Units in Package 1</b> | 1         |
| <b>Package 1 Height</b>             | 5.600 cm  |
| <b>Package 1 Width</b>              | 3.400 cm  |
| <b>Package 1 Length</b>             | 5.400 cm  |
| <b>Package 1 Weight</b>             | 20.000 g  |
| <b>Unit Type of Package 2</b>       | S03       |
| <b>Number of Units in Package 2</b> | 200       |
| <b>Package 2 Height</b>             | 30.000 cm |
| <b>Package 2 Width</b>              | 30.000 cm |
| <b>Package 2 Length</b>             | 40.000 cm |
| <b>Package 2 Weight</b>             | 4.490 kg  |
| <b>Unit Type of Package 3</b>       | P06       |
| <b>Number of Units in Package 3</b> | 1600      |
| <b>Package 3 Height</b>             | 77.000 cm |
| <b>Package 3 Width</b>              | 80.000 cm |

|                  |           |
|------------------|-----------|
| Package 3 Length | 60.000 cm |
| Package 3 Weight | 49.404 kg |

## Offer Sustainability

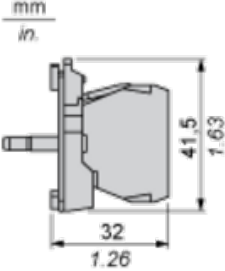
|                            |   |
|----------------------------|---|
| Sustainable offer status   | Green Premium product   |
| REACH Regulation           | <a href="#">REACH Declaration</a>   |
| REACH free of SVHC         | Yes   |
| EU RoHS Directive          | Pro-active compliance (Product out of EU RoHS legal scope)<br><a href="#">EU RoHS Declaration</a>   |
| Mercury free               | Yes   |
| China RoHS Regulation      | <a href="#">China RoHS declaration</a>  |
| RoHS exemption information | Yes   |
| Environmental Disclosure   | <a href="#">Product Environmental Profile</a>   |
| Circularity Profile        | <a href="#">End of Life Information</a>   |
| WEEE                       | The product must be disposed on European Union markets following specific waste collection and never end up in rubbish bins   |
| California proposition 65  | WARNING: This product can expose you to chemicals including: Lead and lead compounds, which is known to the State of California to cause cancer and birth defects or other reproductive harm. For more information go to <a href="http://www.P65Warnings.ca.gov">www.P65Warnings.ca.gov</a> |

## Contractual warranty

|          |           |
|----------|-----------|
| Warranty | 18 months |
|----------|-----------|

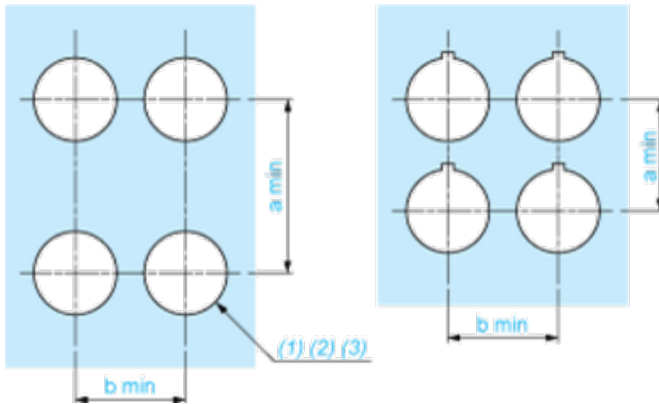
Dimensions

---



**Panel Cut-out for Pushbuttons, Switches and Pilot Lights (Finished Holes, Ready for Installation)**

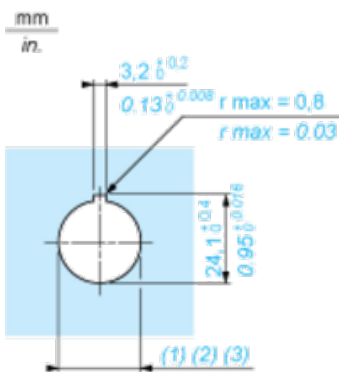
**Connection by Screw Clamp Terminals or Plug-in Connectors or on Printed Circuit Board**



- (1) Diameter on finished panel or support
- (2) For selector switches and Emergency stop buttons, use of an anti-rotation plate type ZB5AZ902 is recommended.
- (3)  $\varnothing 22.5$  mm recommended ( $\varnothing 22.3 \text{ }_0^{+0.4}$ ) /  $\varnothing 0.89$  in. recommended ( $\varnothing 0.88 \text{ in. }_0^{+0.016}$ )

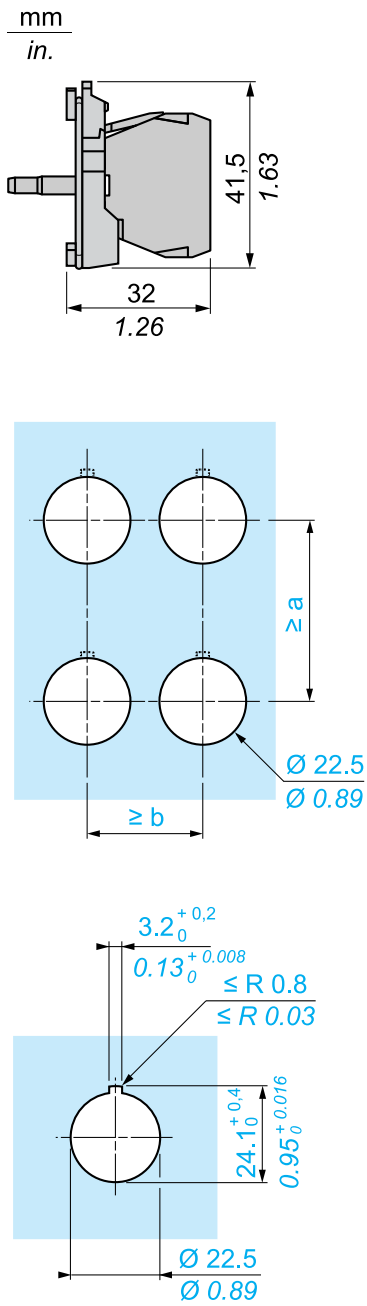
| Connections                                   | a in mm | a in in. | b in mm | b in in. |
|---|---------|----------|---------|----------|
| By screw clamp terminals or plug-in connector | 40      | 1.57     | 30      | 1.18     |
| By Faston connectors                          | 45      | 1.77     | 32      | 1.26     |
| On printed circuit board                      | 30      | 1.18     | 30      | 1.18     |

**Detail of Lug Recess**



- (1) Diameter on finished panel or support
- (2) For selector switches and Emergency stop buttons, use of an anti-rotation plate type ZB5AZ902 is recommended.
- (3)  $\varnothing 22.5$  mm recommended ( $\varnothing 22.3 \text{ }_0^{+0.4}$ ) /  $\varnothing 0.89$  in. recommended ( $\varnothing 0.88 \text{ in. }_0^{+0.016}$ )

Dimensions



|  |                      | a (mm) | a (in.) | b (mm) | b (in.) |
|--|----------------------|--------|---------|--------|---------|
|  | ZBE●●●●● ZBV●●●●●    | 40     | 1.57    | 30     | 1.18    |
|  | ZBE●●●●●4 ZBV●●●●●4  | 40     | 1.57    | 30     | 1.18    |
|  | ZBE●●●●●3 ZBV●●●●●3  | 45     | 1.77    | 32     | 1.26    |
|  | ZBE70●●●●● ZBV●●●●●7 | 30     | 1.18    | 30     | 1.18    |
|  | ZBE●●●●●9 ZBV●●●●●9  | 40     | 1.57    | 30     | 1.18    |
|  | ZBE●●●●●5 ZBV●●●●●5  | 50     | 1.97    | 30     | 1.18    |
|  | ZBRT● ZBRV1          | 40     | 1.57    | 30     | 1.18    |

Recommended replacement(s)

ZB5AVB5 is replaced by:

1x



Complete body/light block assembly, Harmony XB5, plastic, universal LED, body/  
fixing collar, 24V AC DC  
ZB5AVB1