

UM 72-FE - Foot element



2959382

<https://www.phoenixcontact.com/in/products/2959382>

Please be informed that the data shown in this PDF document is generated from our Online Catalog. Please find the complete data in the user documentation. Our General Terms of Use for Downloads are valid.

Foot element, 72 mm wide, for mounting on NS 32 or NS 35/7.5, below profile housing UM 72.



Your advantages

- Easy installation
- Flexible size and shape
- Inexpensive as a result of reducing the number of separate housing parts

Commercial Data

Item number	2959382
Packing unit	10 pc
Minimum order quantity	10 pc
Sales Key	ACH
Product Key	ACHDBA
Catalog Page	Page 756 (C-1-2013)
GTIN	4017918099350
Weight per Piece (including packing)	6 g
Weight per Piece (excluding packing)	4.5 g
Customs tariff number	39269097
Country of origin	PL

UM 72-FE - Foot element

2959382

<https://www.phoenixcontact.com/in/products/2959382>



Technical Data

Product properties

Product type	Base latches
Product family	UM72
Type	Base element for the DIN rail, for mounting below UM-PRO PROFILE (width: 72 mm)
Housing type	Press-drawn section housings
Housing series	UM

Material specifications

Color	green (6021)
Flammability rating according to UL 94	V0
Surface characteristics	untreated
Housing material	Polyamide

UM 72-FE - Foot element

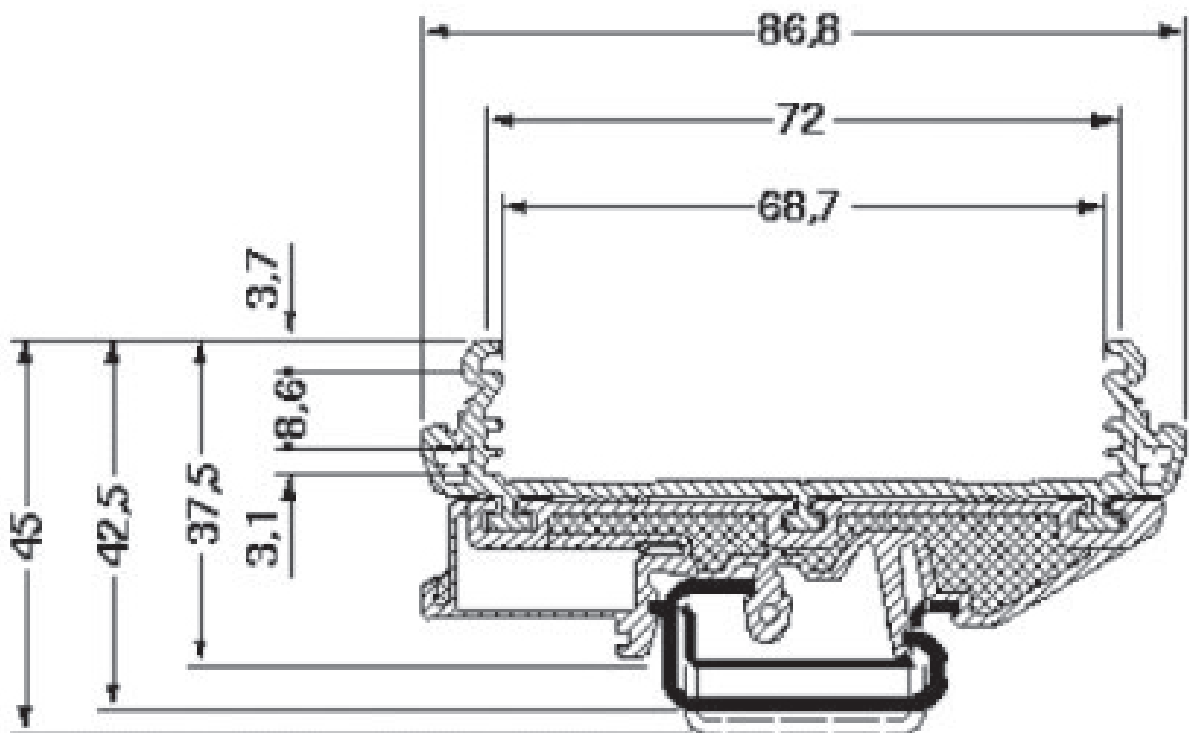
2959382

<https://www.phoenixcontact.com/in/products/2959382>



Drawings

Dimensional drawing



UM 72-FE - Foot element



2959382

<https://www.phoenixcontact.com/in/products/2959382>

Approvals



EAC

Approval ID: B.01687



UL Recognized

Approval ID: FILE E 240868

UM 72-FE - Foot element

2959382

<https://www.phoenixcontact.com/in/products/2959382>



Classifications

ECLASS

ECLASS-11.0

27182701

ETIM

ETIM 8.0

EC002779

UNSPSC

UNSPSC 21.0

31261500

UM 72-FE - Foot element

2959382

<https://www.phoenixcontact.com/in/products/2959382>



Environmental Product Compliance

China RoHS	Environmentally friendly use period: unlimited = EFUP-e
	No hazardous substances above threshold values

Phoenix Contact 2023 © - all rights reserved
<https://www.phoenixcontact.com>

PHOENIX CONTACT (I) Pvt. Ltd.
A-58/2, Okhla Industrial Area, Phase - II, New Delhi-110 020

+91.1275.71420
info@phoenixcontact.co.in