

UM 72-SEFE/R - Lateral element



2959353

<https://www.phoenixcontact.com/in/products/2959353>

Please be informed that the data shown in this PDF document is generated from our Online Catalog. Please find the complete data in the user documentation. Our General Terms of Use for Downloads are valid.

Side element, right, with foot, width: 5 mm, width: 72 mm, for mounting on NS 32 or NS 35/7.5



Your advantages

- Easy installation
- Flexible size and shape
- Inexpensive as a result of reducing the number of separate housing parts

Commercial Data

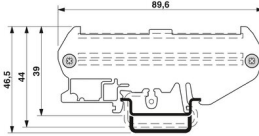
Item number	2959353
Packing unit	10 pc
Minimum order quantity	10 pc
Sales Key	ACH
Product Key	ACHDBA
Catalog Page	Page 756 (C-1-2013)
GTIN	4017918104436
Weight per Piece (including packing)	6.65 g
Weight per Piece (excluding packing)	6 g
Customs tariff number	39269097
Country of origin	IN

Technical Data

Product properties

Product type	Panel mounting base side part
Product family	UM72
Type	Lateral element (right)
Housing type	Press-drawn section housings
Ventilation openings present	no
Housing series	UM

Dimensions

Dimensional drawing	
Width	5 mm
Height	89.6 mm
Depth	37.6 mm

Material specifications

Color	green (6021)
Flammability rating according to UL 94	V0
Surface characteristics	untreated
Housing material	Polyamide

Environmental and real-life conditions

Ambient conditions

Ambient temperature (operation)	-40 °C ... 105 °C (depending on power dissipation)
Ambient temperature (storage/transport)	-40 °C ... 55 °C
Ambient temperature (assembly)	-5 °C ... 100 °C
Relative humidity (storage/transport)	80 %

Mounting

Mounting type	DIN rail mounting
---------------	-------------------

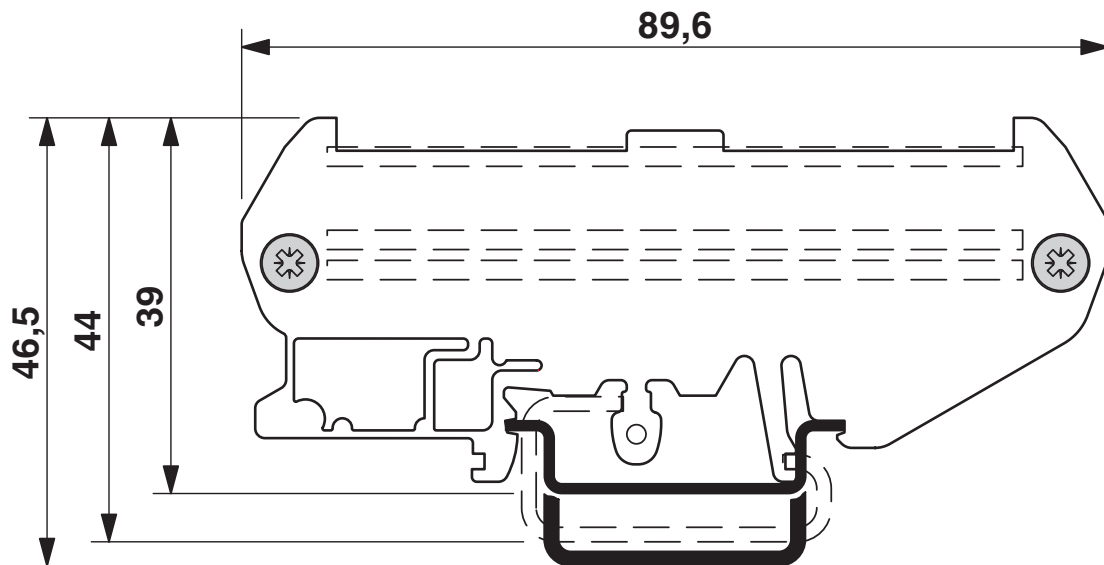
UM 72-SEFE/R - Lateral element

2959353

<https://www.phoenixcontact.com/in/products/2959353>

Drawings

Dimensional drawing



UM 72-SEFE/R - Lateral element



2959353

<https://www.phoenixcontact.com/in/products/2959353>

Approvals



EAC

Approval ID: B.01687



UL Recognized

Approval ID: FILE E 240868

UM 72-SEFE/R - Lateral element



2959353

<https://www.phoenixcontact.com/in/products/2959353>

Classifications

ECLASS

ECLASS-11.0

27182701

ETIM

ETIM 8.0

EC002779

UNSPSC

UNSPSC 21.0

31261500

UM 72-SEFE/R - Lateral element



2959353

<https://www.phoenixcontact.com/in/products/2959353>

Environmental Product Compliance

China RoHS	Environmentally friendly use period: unlimited = EFUP-e
	No hazardous substances above threshold values

Phoenix Contact 2023 © - all rights reserved
<https://www.phoenixcontact.com>

PHOENIX CONTACT (I) Pvt. Ltd.
A-58/2, Okhla Industrial Area, Phase - II, New Delhi-110 020

+91.1275.71420
info@phoenixcontact.co.in